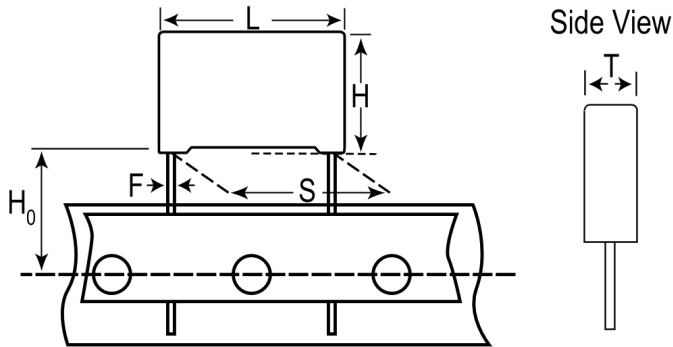


PHE844RD6330KR17T1

Aliases (F844DW334K440P, PHE844RD6330KD20R17T1)

PHE844/F844, Film, Metallized Polypropylene, Safety, 0.33 uF, 10%, 440 VAC (X1) (ENEC), 480 VAC (UL, cUL), 1000 VDC, 105°C, 22.5mm



Click [here](#) for the 3D model.

Dimensions

L	26mm MAX
H	23mm MAX
T	13.5mm MAX
S	22.5mm +0.6/-0.1mm
H ₀	18.5mm +/-0.5mm
F	0.8mm +/-0.05mm

Packaging Specifications

Packaging	T&R, Large
Packaging Quantity	300

General Information

Series	PHE844/F844
Dielectric	Metallized Polypropylene
Style	Radial
Features	EMI Safety
RoHS	Yes
Lead	Wire Leads
Safety Class	X1
Qualifications	ENEC, UL, cUL
AEC-Q200	No
THB Performance	Yes
Typical Component Weight	9.422 g
Miscellaneous	ClimCat: 40/105/56/B.

Specifications

Capacitance	0.33 uF
Capacitance Tolerance	10%
Voltage AC	440 VAC (X1) (ENEC), 480 VAC (UL, cUL)
Voltage DC	1000 VDC
Temperature Range	-40/+105°C
Rated Temperature	105°C
Dissipation Factor	0.1% 1kHz, 0.4% 10kHz
Insulation Resistance	30 GOhms
Max dV/dt	100 V/us