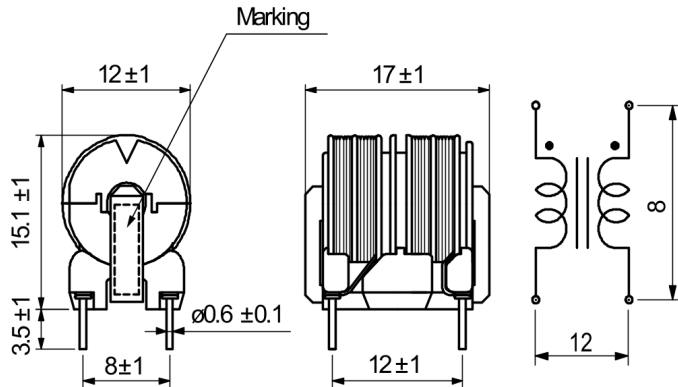


SS17VA-R10025

Aliases (UAL17VAR100250, SS17VA/HA-R10025)

Obsolete

KEMET, SS17VA/HA, AC Line Filters, Common Mode, 2.5 mH



General Information

Series	SS17VA/HA
Style	Through-Hole
RoHS	Yes
Notes	recommended replacement part SSR10VS-10135.
Miscellaneous	Inductance Measurement Condition: 1kHz IV KC530 or equivalent.

Specifications

Voltage AC	250 VAC
Inductance	2.5 mH
Current	1 A
Temperature Range	-25/+120°C
DC Resistance	0.38 Ohms

Dimensions

L	17mm +/-1mm
T	12mm +/-1mm
H	15.1mm +/-1mm
LL	3.5mm +/-1mm
S	12mm +/-1mm
S1	8mm +/-1mm
Wire Size	0.37mm

Packaging Specifications

Typical Component Weight	6 g
--------------------------	-----