

# TF

D-Sub connectors - Stamped and Formed Contacts

## PRESS FIT STRAIGHT PCB TERMINATION



MAIN CHARACTERISTICS

Materials and platings	
<b>Shells</b>	Steel, tin plated
<b>Insulator</b>	Glass-filled thermoplastic, UL 94V-0
<b>Pin contact</b>	Brass, selected gold in mating area ; 2.54µm (100µ inches) min. tin on termination area over ; 1.27µm (50µ inches) min. nickel
<b>Socket contact</b>	Phosphor bronze, selected gold in mating area ; 2.54µm (100µ) min. tin on termination area over ; 1.27µm(50µ) min. nickel
<b>Rear insert</b>	Brass, 2.54µm (100µ inches) min. nickel plated
<b>Boardlock</b>	Brass, 2.54µm (100µ inches) min. nickel plated
<b>Screwlock</b>	Brass, 2.54µm (100µ inches) min. nickel plated (removable)

Electrical Data	
<b>Current rating</b>	5A
<b>Voltage rating</b>	300V AC
<b>Withstanding voltage</b>	1000V AC / rms 60Hz for one minute
<b>Insulation resistance</b>	1000MΩ
<b>Contact resistance</b>	20mΩ max

Climatic Data	
<b>Operating temperature</b>	-55°C to +125°C
<b>Salt spray</b>	24 hours

Mechanical Data	
<b>Single contact insertion force</b>	≤ 3.60 N
<b>Single contact withdrawal force</b>	≥ 0.2 N
<b>Single contact insertion on board</b>	≤ 100 N
<b>Single contact withdrawal from board</b>	≥ 20 N
<b>Standard plating thickness</b>	Gold flash 0.4µm (15µ inches) gold 0.76µm (30µ inches) gold

	Terminal Specification	Boardlock Specification
<b>Finished Hole</b>	1 (+0.09 -0.06)	3.1 +/- 0.05 µm
<b>Cu</b>	> 25 µm	Min 25 µm
<b>Sn</b>	< 15 µm	5-15 µm

DESCRIPTION

The Amphenol "TF" series features eye of needle formed contacts, and insulator with closed entry contacts cavities.

This series gives you Amphenol's high standards of quality and reliability to meet all your technical requirements.

*Solderless  
straight PCB  
mount  
connectors*

APPLICATIONS

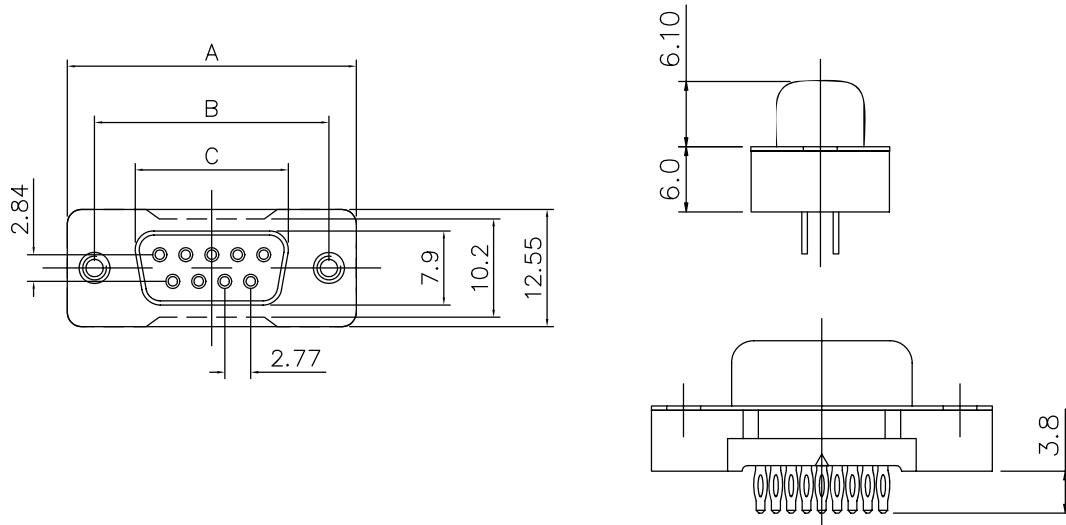
- Industrial
- Telecom
- Any backplanes connections



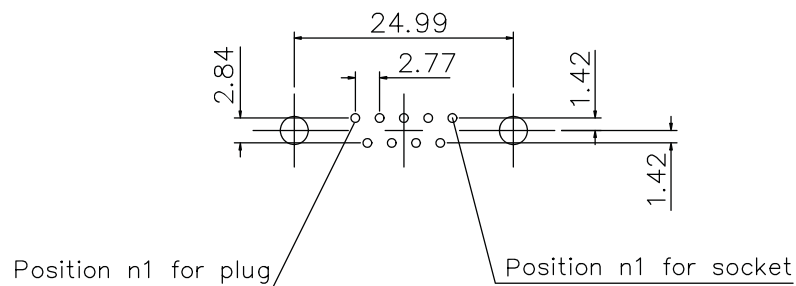
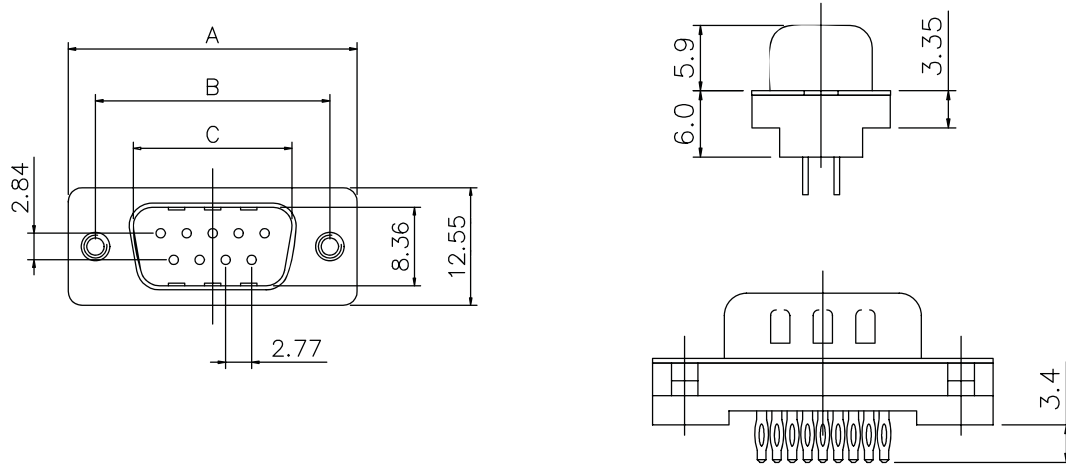
**Amphenol**

TF / E4

**Socket version**

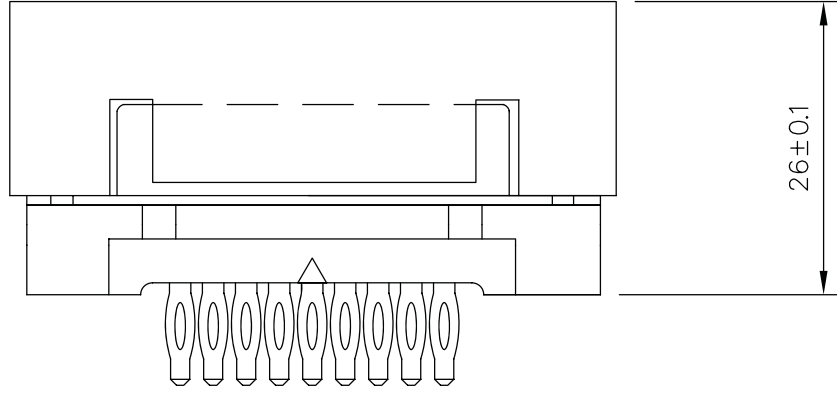


**Plug version**

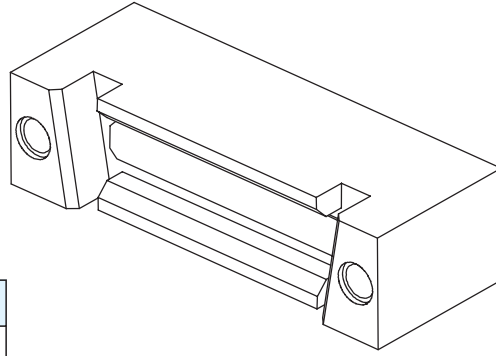


**For PCB holes diameters, see on page 1 (finished holes)**

Nb OF CONTACTS	DIMENSIONS mm (inch)			
	A	B	C socket	C plug
9	30.81 (1.185)	24.99 (0.984)	16.92 (0.666)	16.33 (0.643)
15	39.14 (1.54)	33.32 (1.312)	25.50 (1.004)	24.66 (0.97)
25	53.04 (2.088)	47.04 (1.852)	38.96 (1.534)	38.38 (1.511)
37	69.32 (2.729)	63.50 (2.5)	55.42 (2.182)	54.84 (2.16)

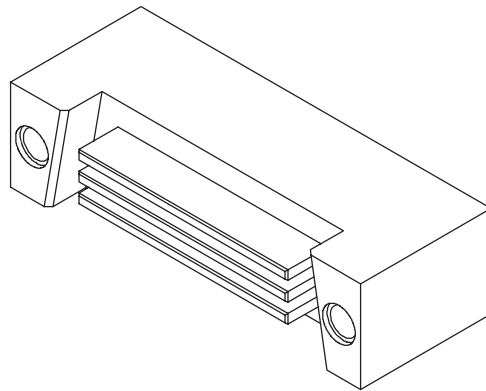


**Female**



Size of connectors	Tooling PN
9	981 MC
15	982 MC
25	983 MC
37	984 MC

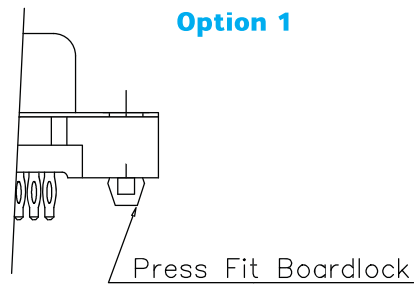
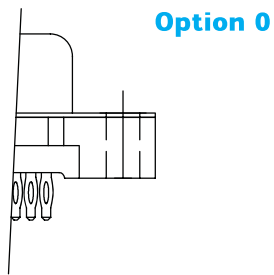
**Male**



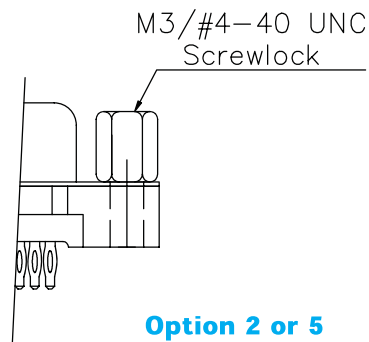
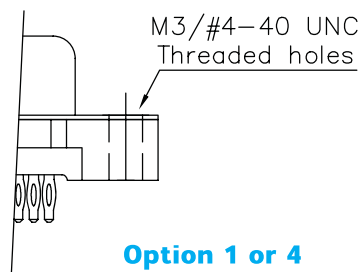
Size of connectors	Tooling PN
9	985 MC
15	986 MC
25	987 MC
37	988 MC



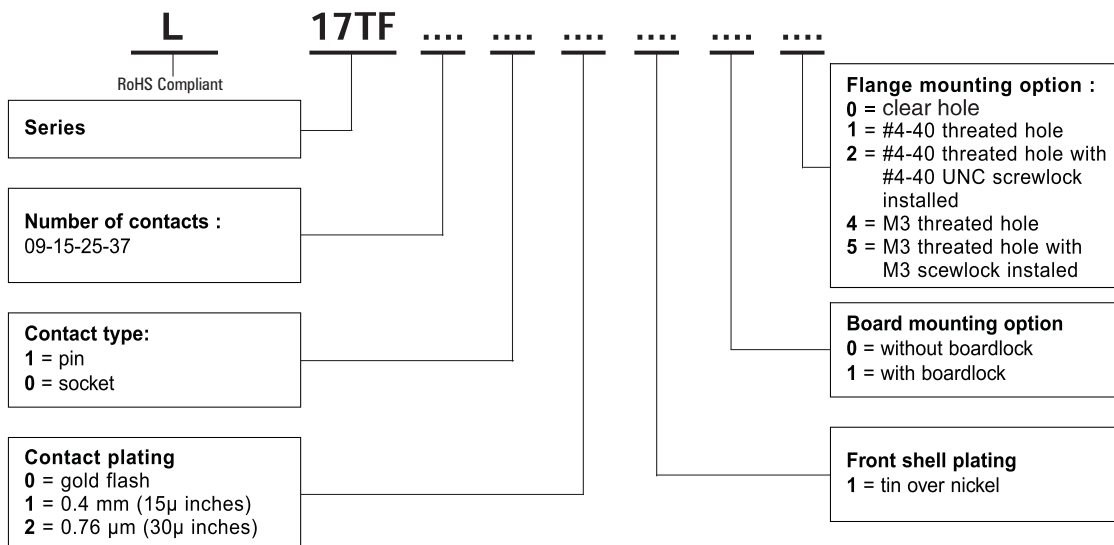
## Board mounting option



## Flange mounting option



## How to order



Do not hesitate to contact us for further information



# Amphenol

Amphenol East Asia Electronic Technology(Shen Zhen)Co., Ltd.

Block A3/A4, The4th Ind.District of Ind.HQ, Dong keng Road, Gong Ming Town , Shen zhen, china

Fax: +86 (0) 755 2754 9955  
http://www.dsubconnector.com  
http://www.amphenol.com.cn

**Technical support**

Tel: +33 (0) 3 84 85 94 00  
+86 (0) 755 2717 7945