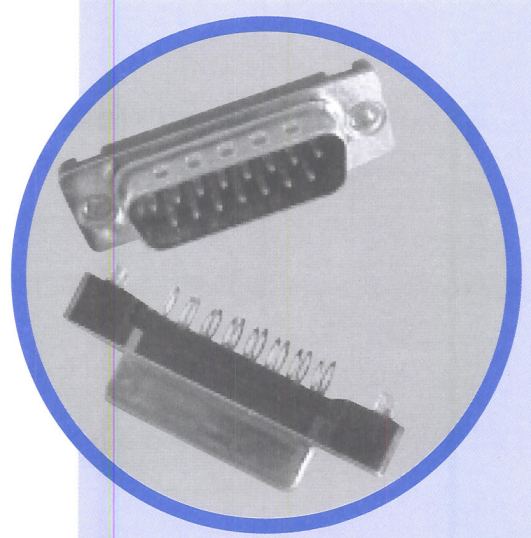


TF

D-Sub connectors - Stamped and Formed Contacts

PRESS FIT STRAIGHT PCB TERMINATION



CHARACTERISTICS

Materials and Platings	
Shells	Steel, tin plated
Insulator	Glass-filled thermoplastic, UL 94V-0
Pin contact	Brass, selected gold in mating area; 2.54µm (100µ") min. tin on termination area over
Socket contact	1.27µm (50µinches) min. nickel Phosphor bronze, selected gold in mating area; 2.54µm (100µ") min. tin on termination area over; 1.27µm(50µ") min. nickel
Rear insert	Brass, 2.54µm (100µ" inches) min. nickel plated
Boardlock	Brass, 2.54µm (100µ" inches) min. nickel plated
Screwlock	Brass, 2.54µm (100µ" inches) min. nickel plated (removable)

Electrical Data	
Current rating	5A
Voltage rating	300V AC
Withstanding voltage	1000V AC/rms 60Hz for one minute
Insulation resistance	1000MΩ
Contact resistance	20mΩ max

Climatic Data	
Operating temperature	-55°C to +125°C
Salt spray	24 hours

Mechanical Data	
Single contact insertion force	≤ 3.60 N
Single contact withdrawal force	≥ 0.2 N
Single contact insertion on board	≤ 100 N
Single contact withdrawal from board	≥ 20 N
Standard plating thickness	Gold flash 0.4µm (15µinches) gold 0.76µm (30µinches) gold

	Terminal Specification	Boardlock Specification
Finished Hole	1 (+0.09 -0.06)	3.1 +/- 0.05 µm
Cu	> 25 µm	Min 25 µm
Sn	< 15 µm	5-15 µm

DESCRIPTION

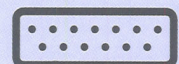
The Amphenol "TF" series features eye of needle formed contacts, and insulator with closed entry contacts cavities.

This series gives you Amphenol's high standards of quality and reliability to meet all your technical requirements.

*Solderless
straight PCB
mount
connectors*

APPLICATIONS

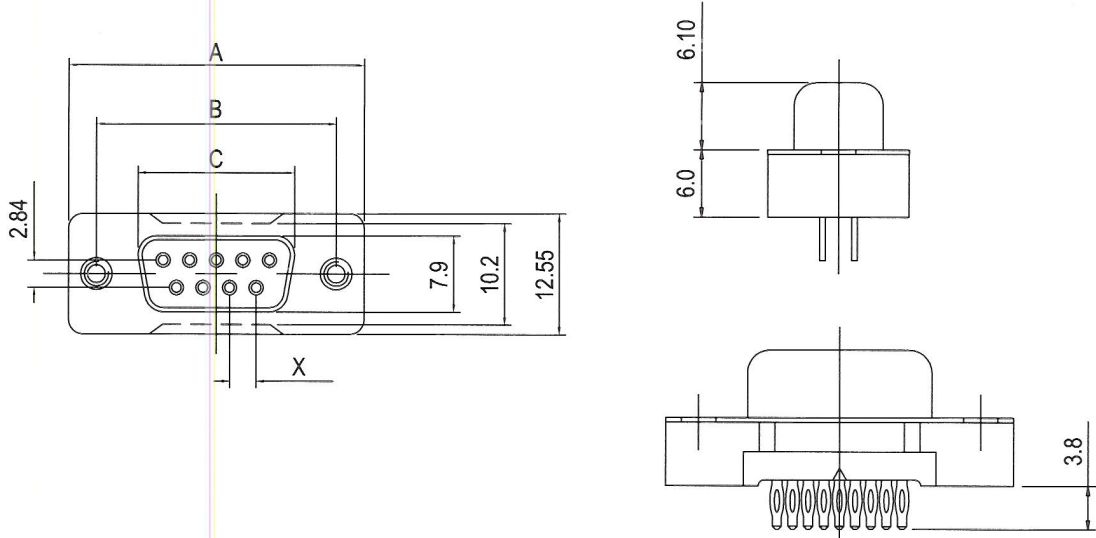
- Industrial
- Telecom
- Any backplanes connections



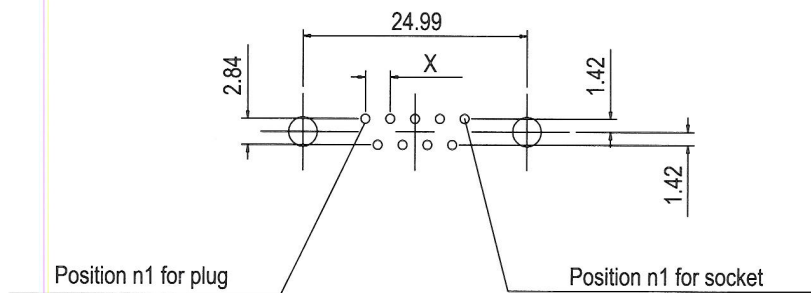
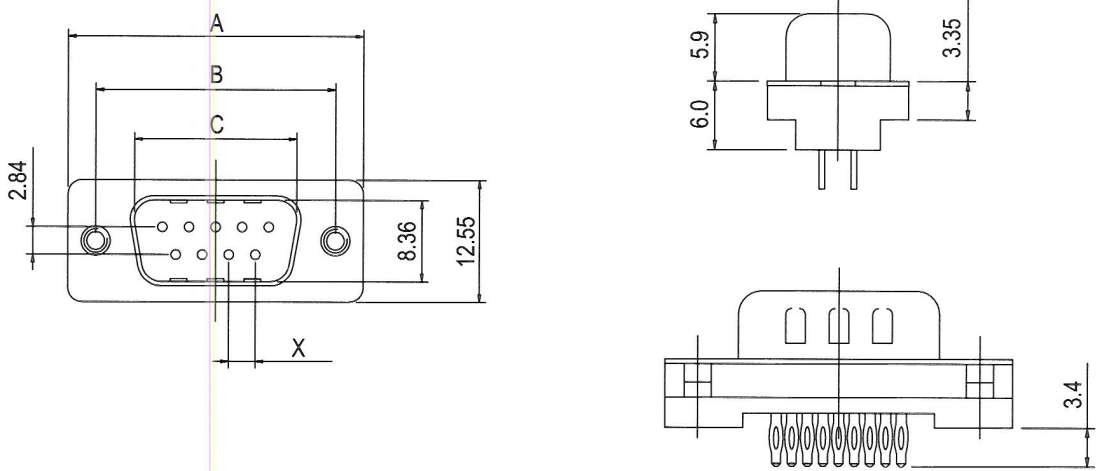
Amphenol

TF / E4

Socket version

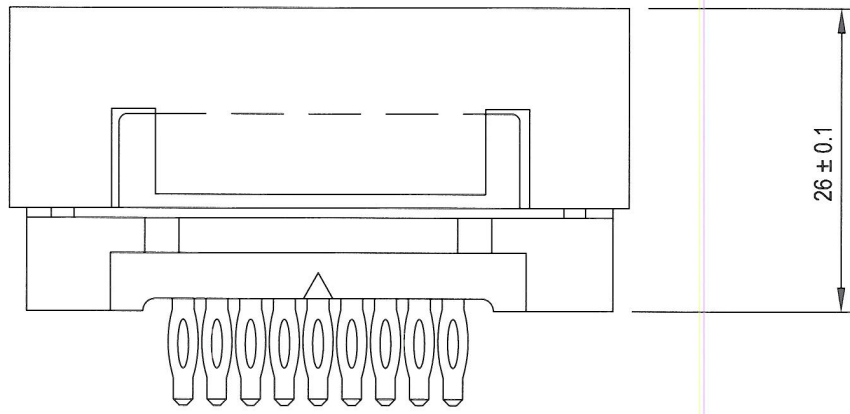


Plug version

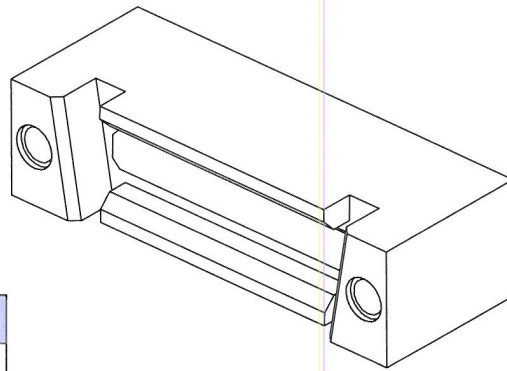


For PCB holes diameters, see on page 1 (finished holes)

Nb OF CONTACTS	DIMENSIONS mm (inch)			
	A	B	C socket	C plug
9	30.81 (1.185)	24.99 (0.984)	16.92 (0.666)	16.33 (0.643)
15	39.14 (1.54)	33.32 (1.312)	25.50 (1.004)	24.66 (0.97)
25	53.04 (2.088)	47.04 (1.852)	28.96 (1.534)	38.38 (1.511)
37	69.32 (2.729)	63.50 (2.5)	55.42 (2.182)	54.84 (2.16)

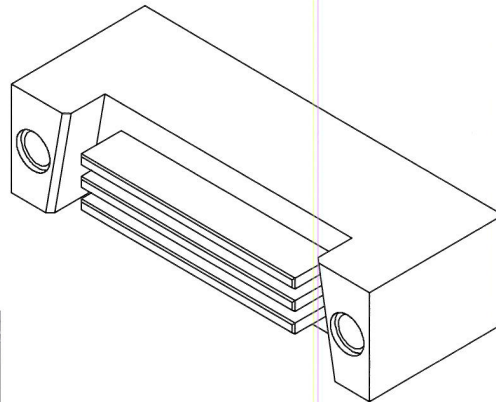


Female



Size of connectors	Tooling PN
9	981 MC
15	982 MC
25	983 MC
37	984 MC

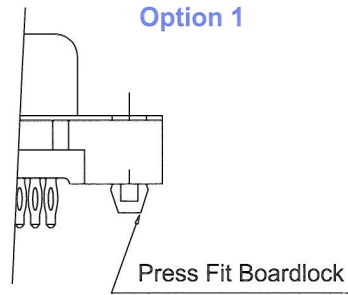
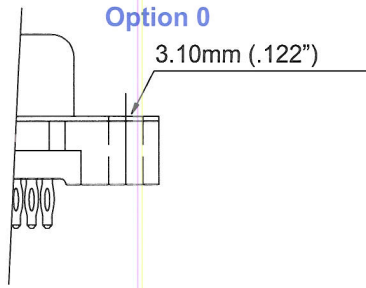
Male



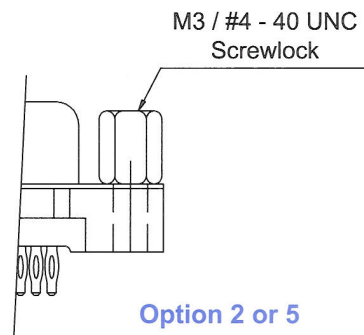
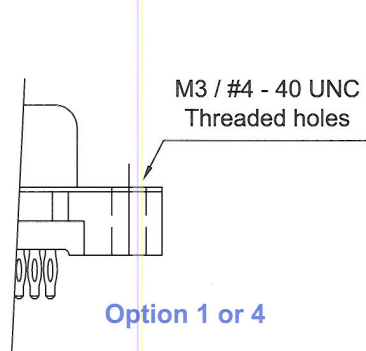
Size of connectors	Tooling PN
9	985 MC
15	986 MC
25	987 MC
37	988 MC



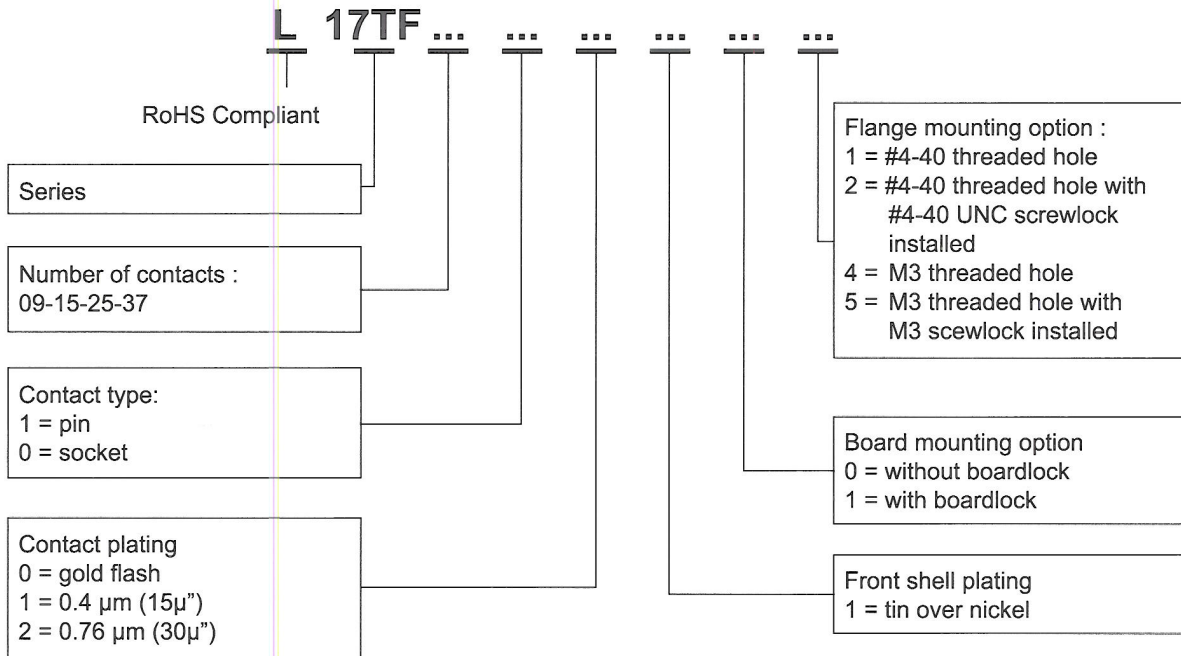
Board mounting option



Flange mounting option



How to order



Do not hesitate to contact us for further information

Amphenol

Amphenol IT & Communication Products

Block A3/A4, The 4th Industrial District of
Industrial Headquarters, Dong Keng Road
Gong Ming Town, Shen Zhen China
Fax: +86(0)755 2754 9955

Technical Support

Tel: +86(0)755 2717 7945
Info-dsub@amphenol.com.cn
http://www.dsubconnector.com