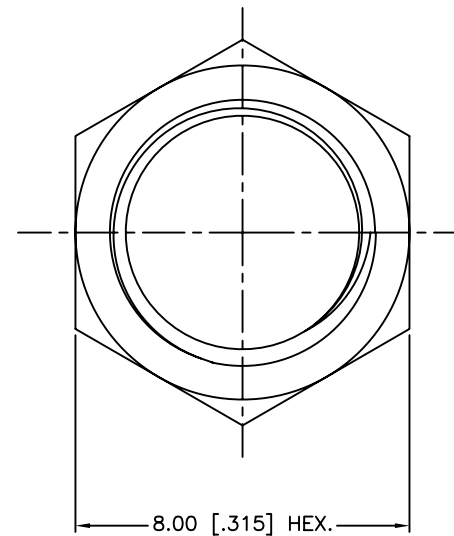
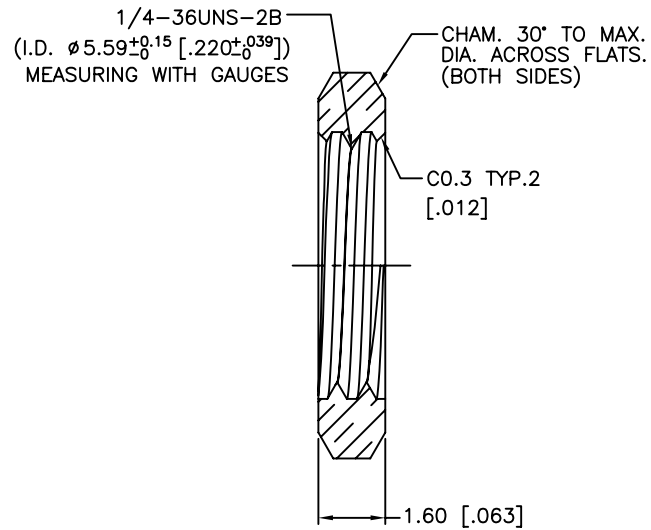
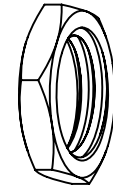


REV.	DATE	ECR NO.	DESCRIPTION
NC	06/05/13	XXXXXX	INITIAL RELEASE



UNLESS OTHERWISE SPECIFIED DIMENSIONS ARE IN MILLIMETERS. DIMENSIONS IN [] ARE IN INCHES AND FOR CUSTOMER REFERENCE ONLY.
 UNLESS OTHERWISE SPECIFIED
 TOLERANCES FOR MILLIMETERS ARE:
 <math>< 0.5 \pm 0.05\text{mm}</math>
 0.5 - 6mm $\pm 0.10\text{mm}</math>
 6 - 30mm $\pm 0.20\text{mm}</math>
 30 - 120mm $\pm 0.30\text{mm}</math>
 ANGLES $\pm 1^\circ$
 UNLESS OTHERWISE SPECIFIED
 TOLERANCES FOR INCHES ARE:
 <math>< .020 \pm 0.002''</math>
 .020 - .236 $\pm 0.004''</math>
 .236 - 1.180 $\pm 0.007''</math>
 1.180 - 4.724 $\pm 0.012''</math>
 ANGLES $\pm 1^\circ$$$$$$$

APPROVALS		DATE
DRAWN	M.ZHANG	06/05/13
CHECKED		
ISSUED		
SHEET	1 OF 1	
CAD FILE	C:/CONNEX/132-NUT SMA GLD.DWG	

Amphenol Connex

PART DESCRIPTION			
HEX NUT FOR SMA			
PART NO.			
132-NUT SMA GLD			
DWG. NO.	132-NUT SMA GLD.DWG	REV.	NC
SIZE	A	SCALE	NA

1	DESCRIPTION	MATERIAL	FINISH	QTY
	HEX NUT	BRASS	GOLD	1

DO NOT SCALE DRAWING