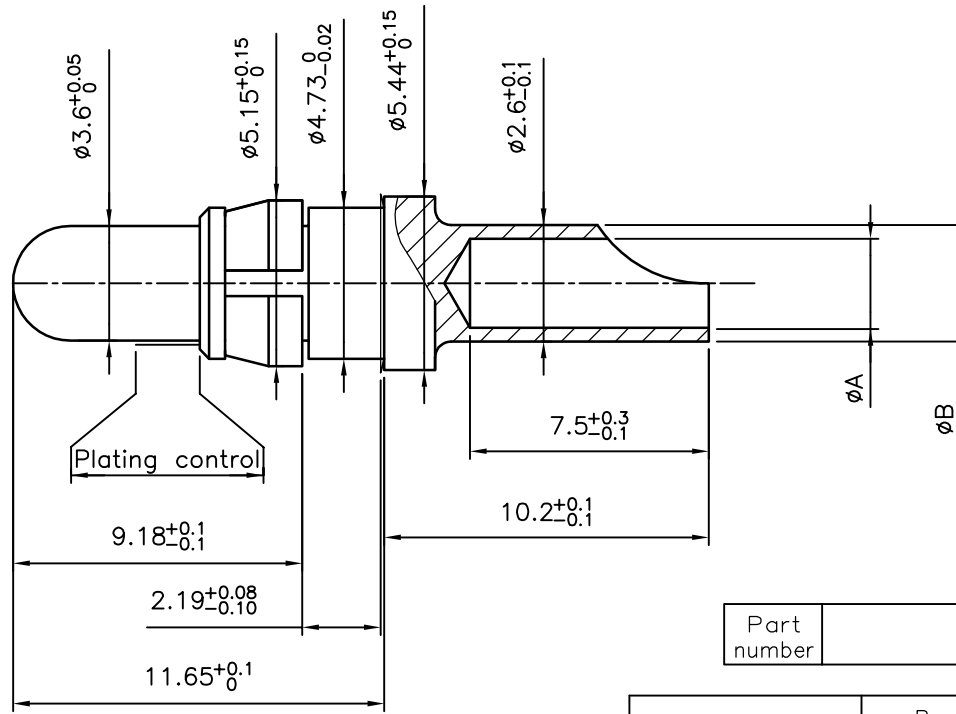


CONTACT PLATING : gold 0.40 μ over nickel 1 μ .



Part number SEE TABLE

8630-3098NLF	Power contact #8	4.40	5.00	3.90	8.98
8630-3056NLF	Power contact #12	2.80	3.65	2.40	3.18
8630-3060NLF	Power contact #14	2.10	3.00	1.70	1.91
8630-3064NLF	Power contact #16	1.70	2.60	1.50	1.34
part numbers	Designation	$\phi A^{+0.10}_0$	$\phi B^{\pm 0.10}$	ϕ name mm	Section mm ² CABLE

NOTE:RoHS INFORMATIONS

- The "LF" product meets European union Directives and other country regulations as described in GS-22-008.
- Packaging spec: see GS-14-920.

mat'l. code		surface		tolerance		projection	product family	
		ISO 1302	ISO 406	ISO 1101	ISO 1101		D-SUB	
ltr	ecn no	dr	date	tolerances unless otherwise specified			title	
A	LS06-0022	MPE	2006/03/11	angles	linear		PIN POWER CONTACTS	
B	LS06-0095	LGO	2006/06/23	0.xx	±0.1			
C	F11-0326	APA	2011/10/26	0.xxx	±0.1	scale		
D	F-27592	ALA	2017/07/31	dr	M.PESSON	2006/03/11	dwg no	
E	F-49019	DDE	2023/08/16	engr	M.PESSON	2006/03/11	sheet 1 of 1	size
				chr	LEGARRE	2006/03/11	C01-8639-2160 A3	
				appd	LEGARRE	2006/03/11	type Customer Drawing	
sheet	revision	E						
index	sheet	1						