

## HORIZONTAL CLAMPS

### H250 SERIES MODEL H250/2A



**Arm:**  
2-piece "solid" arm with spindle retainer supplied loose for welding in the desired position.

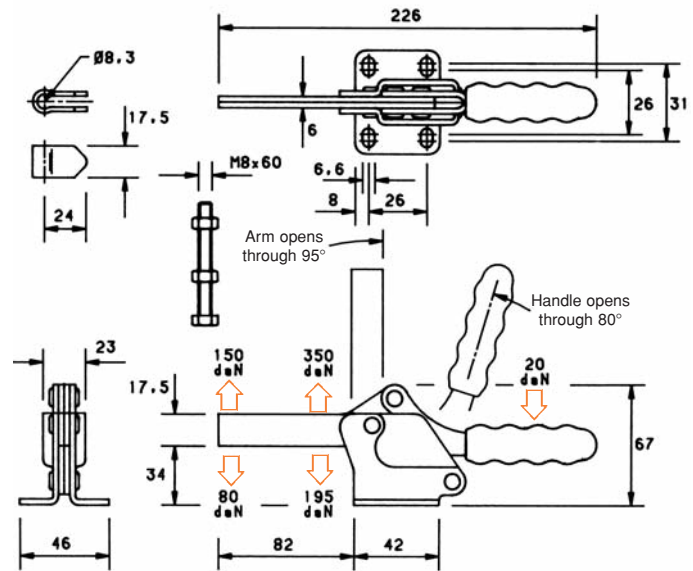
**Base:**  
Flanged.

**Nominal Holding Force:**  
250 daN

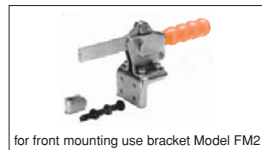
**Weight:**  
0.50 Kg

**Supplied complete with:**  
MB0860 Setscrew & nuts.  
R/08 Spindle retainer.

See "Accessories" for other items.



### H250 SERIES MODEL H250/2AL



**Arm:**  
Solid arm with spindle retainer supplied loose for welding in the desired position. 10mm added to arm length over H250/2A model.

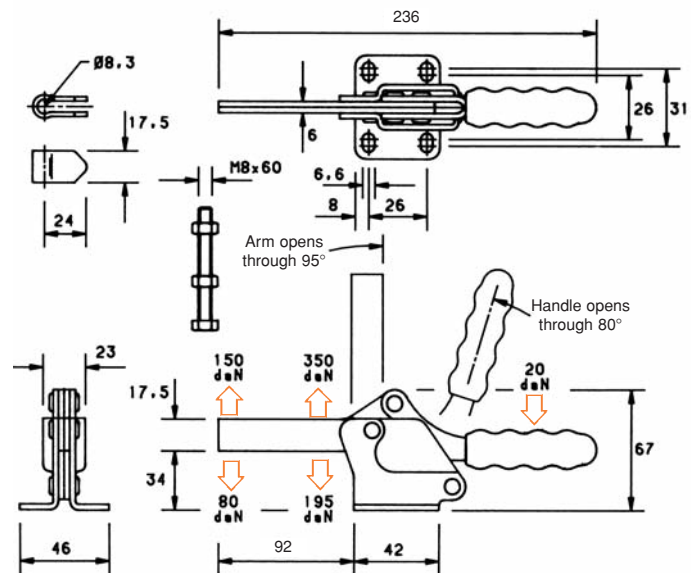
**Base:**  
Flanged.

**Nominal Holding Force:**  
250 daN

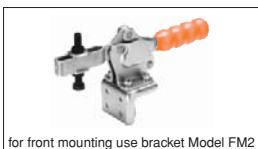
**Weight:**  
0.50 Kg

**Supplied complete with:**  
MB0860 Setscrew & nuts.  
R/08 Spindle retainer.

See "Accessories" for other items.



### H250 SERIES MODEL H250/2B



**Arm:**  
The spindle position is adjustable along the arm.

**Base:**  
Flanged.

**Nominal Holding Force:**  
250 daN

**Weight:**  
0.50 Kg

**Supplied complete with:**  
MB0860 Setscrew & nuts.  
FW08/15 Flanged washers.

See "Accessories" for other items.

