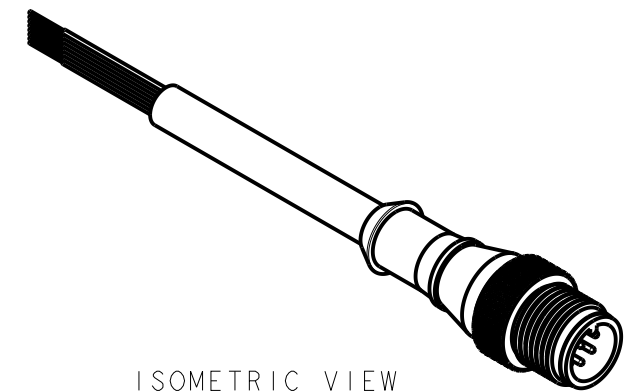
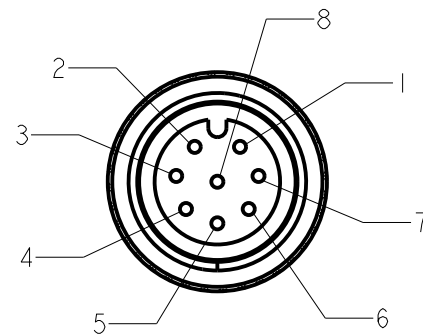


TABLE OF LENGTHS		
P/N	MODEL NO.	"L1"
815169	BC-M12M8-24-1	1000
815170	BC-M12M8-24-2	2000
815171	BC-M12M8-24-5	5000
815172	BC-M12M8-24-10	10000

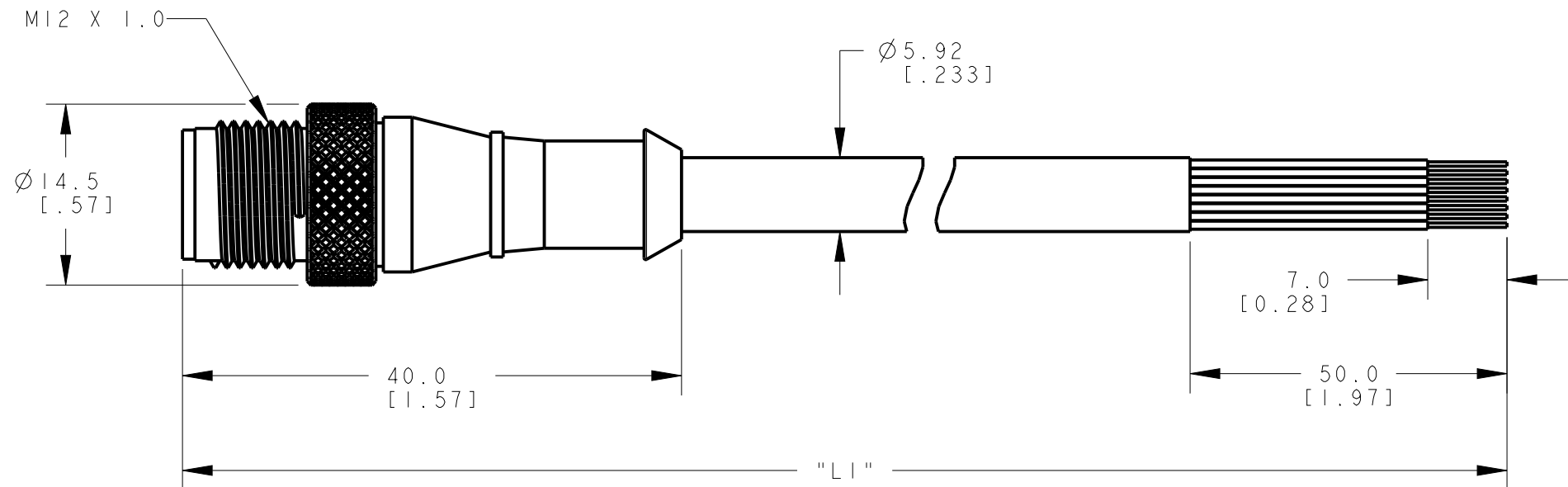


ISOMETRIC VIEW
SCALE 1:1



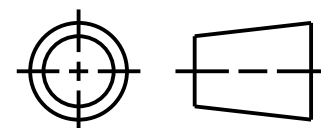
MALE POLES:

- 1. WHITE
- 2. BROWN
- 3. GREEN
- 4. YELLOW
- 5. GRAY
- 6. PINK
- 7. BLUE
- 8. RED



This drawing is the property of BANNER ENGINEERING CORP. Any use or reproduction, in any form, without prior written permission of Banner is prohibited. © 2015 Banner Engineering Corp.

THIRD ANGLE PROJECTION



		BANNER ENGINEERING CORP. www.bannerengineering.com	
TITLE BC-M12M8-24-XX			
SIZE B	DRAWING NO. 240980	REV. A	
SCALE 2:1		SHEET 1 OF 1	

NOTES:
1. ALL DIMENSIONS ARE MILLIMETERS [INCHES] UNLESS OTHERWISE NOTED.
2. REFER TO "www.bannerengineering.com" FOR ADDITIONAL DATA AND SPECIFICATIONS.