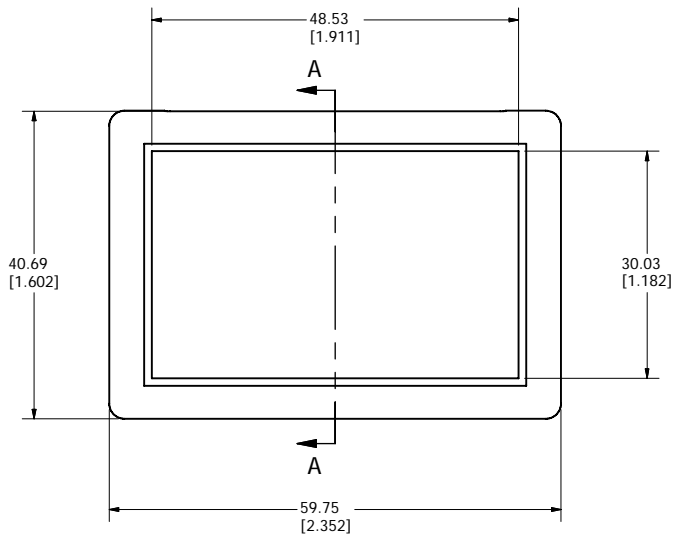
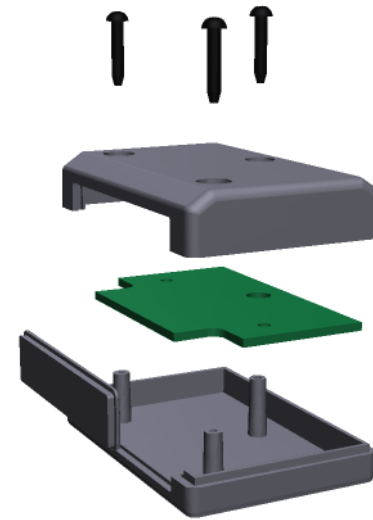
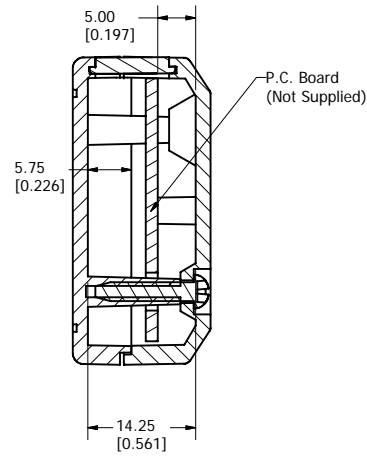


Top View of Assembly

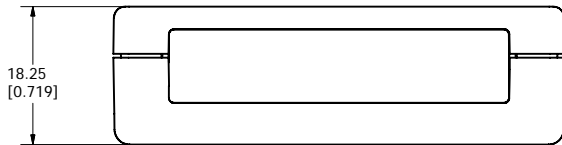


SECTION A-A  
(Side Inside Assembly)C

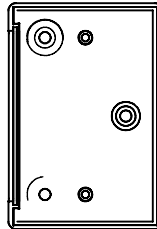


(Interactive Model)

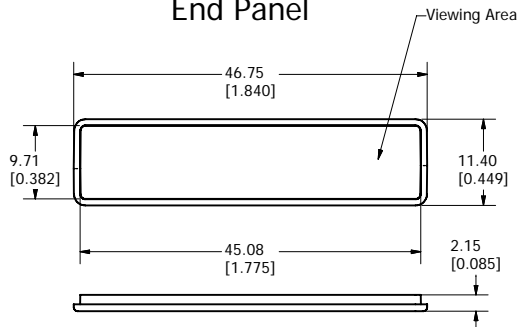
End View of Assembly



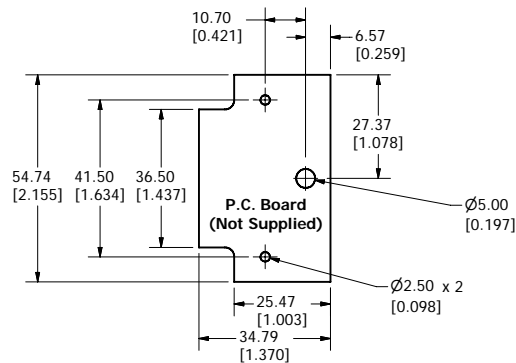
Inside Bottom Cover



End Panel



Maximum P.C. Board Size



Small Clipper Enclosure