

## PM3C17-00030000

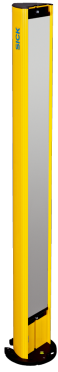
Mirror columns with protective field height mirror

**COLUMNS FOR SAFETY LIGHT CURTAINS**

**SICK**  
Sensor Intelligence.

# PM3C17-00030000 | Mirror columns with protective field height mirror

COLUMNS FOR SAFETY LIGHT CURTAINS



## Ordering information

Type	Part no.
PM3C17-00030000	1043454

Other models and accessories → [www.sick.com/Mirror\\_columns\\_with\\_protective\\_field\\_height\\_mirror](http://www.sick.com/Mirror_columns_with_protective_field_height_mirror)

## Detailed technical data

### Features

<b>Model</b>	Mirror columns with protective field height mirror
<b>Type of diversion</b>	Horizontal
<b>Suitable for</b>	Safety light curtains Safety multibeam sensors
<b>Suitable for protective field height</b>	≤ 1,500 mm
<b>Suitable for number of beams</b>	Any
<b>Suitable for beam separation</b>	Any

### Mechanical data

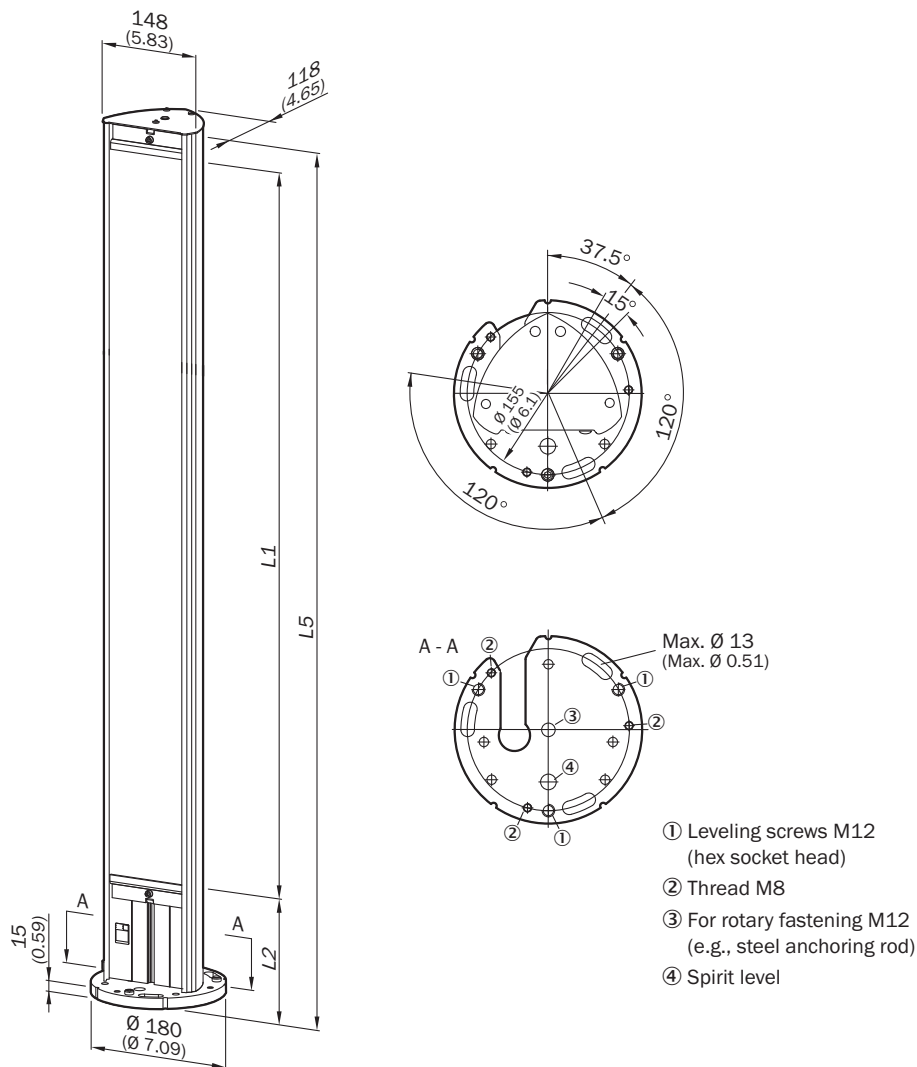
<b>Number of mirrors</b>	1
<b>Mirror length</b>	1,532 mm
<b>Mirror width</b>	125 mm
<b>Column height</b>	1,716.5 mm
<b>Dimensional drawing</b>	L1 1,532 mm L2 145 mm L5 1,716.5 mm
<b>Weight</b>	12,650 g

### Classifications

<b>eCl@ss 5.0</b>	27279203
<b>eCl@ss 5.1.4</b>	27279203
<b>eCl@ss 6.0</b>	27279203
<b>eCl@ss 6.2</b>	27279203
<b>eCl@ss 7.0</b>	27279203
<b>eCl@ss 8.0</b>	27279203
<b>eCl@ss 8.1</b>	27279203
<b>eCl@ss 9.0</b>	27273601
<b>eCl@ss 10.0</b>	27273601
<b>eCl@ss 11.0</b>	27273601

<b>eCl@ss 12.0</b>	27273601
<b>ETIM 5.0</b>	EC002467
<b>ETIM 6.0</b>	EC002467
<b>ETIM 7.0</b>	EC002467
<b>ETIM 8.0</b>	EC002467
<b>UNSPSC 16.0901</b>	39111609

### Dimensional drawing (Dimensions in mm (inch))



- ① Leveling screws M12 (hex socket head)
- ② Thread M8
- ③ For rotary fastening M12 (e.g., steel anchoring rod)
- ④ Spirit level

	<b>L1</b>	<b>L2</b>	<b>L5</b>	
≤ 1,050	1,082	160	1,281.5	1043453
≤ 1,350	1,382	145	1,569	1077525
≤ 1,500	1,532	145	1,716.5	1043454
≤ 1,650	1,682	295	2,016.5	1043455
≤ 1,800	1,832	345	2,216.5	1043456
≤ 1,950	1,982	245	2,269	1093216

# PM3C17-00030000 | Mirror columns with protective field height mirror

## COLUMNS FOR SAFETY LIGHT CURTAINS

	<b>L1</b>	<b>L2</b>	<b>L5</b>	
≤ 2,100	2,132	245	2,419	1093217

## SICK AT A GLANCE

SICK is one of the leading manufacturers of intelligent sensors and sensor solutions for industrial applications. A unique range of products and services creates the perfect basis for controlling processes securely and efficiently, protecting individuals from accidents and preventing damage to the environment.

We have extensive experience in a wide range of industries and understand their processes and requirements. With intelligent sensors, we can deliver exactly what our customers need. In application centers in Europe, Asia and North America, system solutions are tested and optimized in accordance with customer specifications. All this makes us a reliable supplier and development partner.

Comprehensive services complete our offering: SICK LifeTime Services provide support throughout the machine life cycle and ensure safety and productivity.

For us, that is “Sensor Intelligence.”

## WORLDWIDE PRESENCE:

Contacts and other locations –[www.sick.com](http://www.sick.com)