



PU3H15-00000000

Device columns with external grooves

COLUMNS FOR SAFETY LIGHT CURTAINS

SICK
Sensor Intelligence.



Ordering information

| Type | Part no. |
|----------------|----------|
| PU3H15-0000000 | 2068813 |

Other models and accessories → www.sick.com/Device_columns_with_external_grooves

Detailed technical data

Features

| | |
|---|---|
| Model | Device columns with two external mounting grooves |
| Suitable for | Safety light curtains Safety multibeam sensors |
| Suitable for protective field height | |
| C2000, C4000, M4000 Curtain | ≤ 1,350 mm |
| deTec2, deTec4 | ≤ 1,500 mm |
| Suitable for number of beams | Any |
| Suitable for beam separation | Any |

Mechanical data

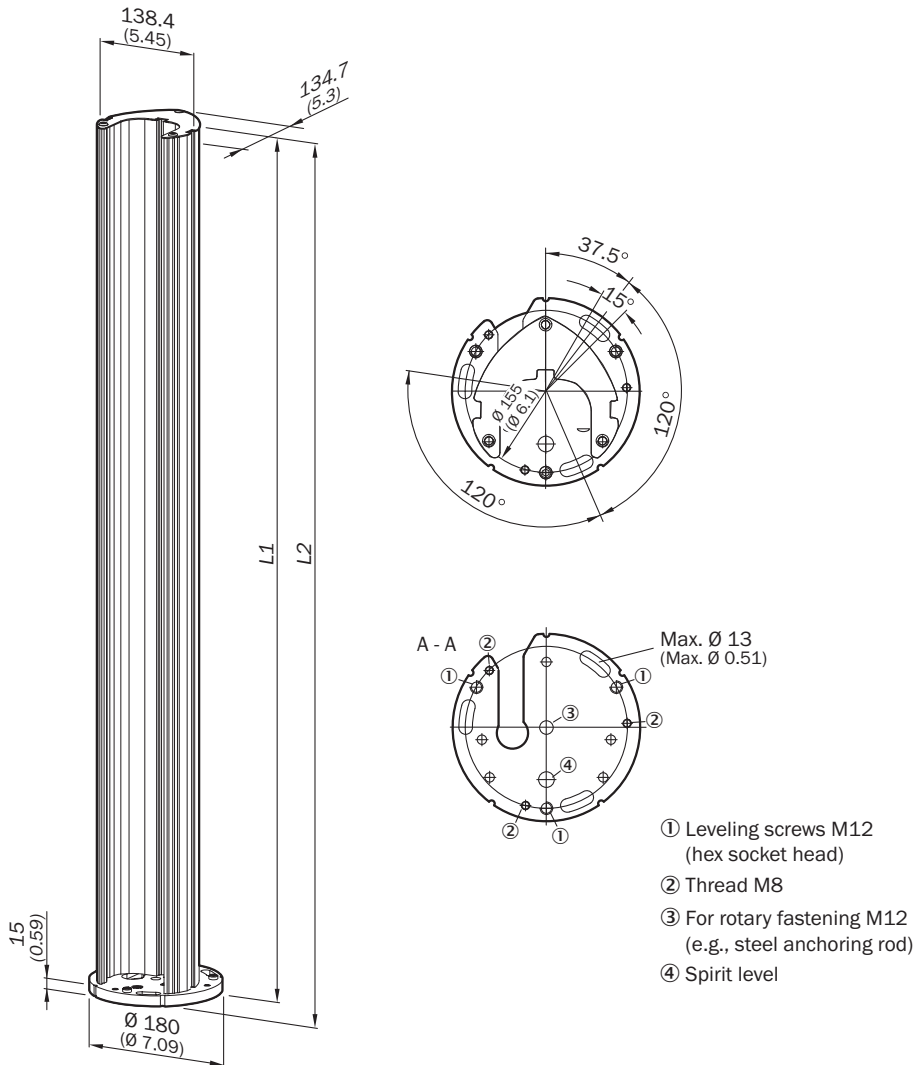
| | |
|---------------------------------|----------|
| Column height | 1,570 mm |
| Max. installation length | 1,550 mm |
| Dimensional drawing | |
| L1 | 1,550 mm |
| L2 | 1,570 mm |
| Weight | 10,450 g |

Classifications

| | |
|---------------------|----------|
| eCl@ss 5.0 | 27279202 |
| eCl@ss 5.1.4 | 27279202 |
| eCl@ss 6.0 | 27279202 |
| eCl@ss 6.2 | 27279202 |
| eCl@ss 7.0 | 27279202 |
| eCl@ss 8.0 | 27279202 |
| eCl@ss 8.1 | 27279202 |
| eCl@ss 9.0 | 27273701 |
| eCl@ss 10.0 | 27273701 |
| eCl@ss 11.0 | 27273701 |
| eCl@ss 12.0 | 27273701 |
| ETIM 5.0 | EC001941 |

| | |
|----------------|----------|
| ETIM 6.0 | EC001941 |
| ETIM 7.0 | EC001941 |
| ETIM 8.0 | EC001941 |
| UNSPSC 16.0901 | 39111609 |

Dimensional drawing (Dimensions in mm (inch))



| Suitable for protective field height | | Suitable for number of beams | L1 | L2 | Part no. |
|--------------------------------------|-----------------|------------------------------|---------------|---------------|----------|
| C2000, C4000, M4000 Curtain | deTec2, deTec4 | | | | |
| ≤ 600 (23.62) | ≤ 900 (35.43) | 2 | 965 (37.99) | 985 (38.78) | 2045490 |
| ≤ 900 (35.43) | ≤ 1,050 (41.34) | 3 | 1,165 (45.87) | 1,185 (46.65) | 2045641 |
| ≤ 1,050 (41.34) | ≤ 1,200 (47.24) | 4 | 1,265 (49.80) | 1,285 (50.59) | 2045642 |
| ≤ 1,350 (53.15) | ≤ 1,500 (59.06) | Any | 1,550 (61.02) | 1,570 (61.81) | 2068813 |
| ≤ 1,350 (53.15) | ≤ 1,650 (64.96) | Any | 1,720 (67.72) | 1,740 (68.50) | 2045643 |
| ≤ 1,650 (64.96) | ≤ 1,950 (76.77) | Any | 2,020 (79.53) | 2,040 (80.31) | 2045644 |

PU3H15-00000000 | Device columns with external grooves

COLUMNS FOR SAFETY LIGHT CURTAINS

| Suitable for protective field height | | Suitable for number of beams | L1 | L2 | Part no. |
|--------------------------------------|-----------------|------------------------------|---------------|---------------|----------|
| C2000, C4000, M4000 Curtain | deTec2, deTec4 | | | | |
| ≤ 1,800 (70.87) | ≤ 2,100 (82.68) | Any | 2,250 (88.58) | 2,270 (89.37) | 2045645 |
| ≤ 1,800 (70.87) | ≤ 2,100 (82.68) | Any | 2,400 (94.49) | 2,420 (95.28) | 2045646 |

SICK AT A GLANCE

SICK is one of the leading manufacturers of intelligent sensors and sensor solutions for industrial applications. A unique range of products and services creates the perfect basis for controlling processes securely and efficiently, protecting individuals from accidents and preventing damage to the environment.

We have extensive experience in a wide range of industries and understand their processes and requirements. With intelligent sensors, we can deliver exactly what our customers need. In application centers in Europe, Asia and North America, system solutions are tested and optimized in accordance with customer specifications. All this makes us a reliable supplier and development partner.

Comprehensive services complete our offering: SICK LifeTime Services provide support throughout the machine life cycle and ensure safety and productivity.

For us, that is “Sensor Intelligence.”

WORLDWIDE PRESENCE:

Contacts and other locations –www.sick.com