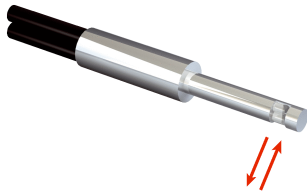


# LL3-DV01

LL3

FIBERS

**SICK**  
Sensor Intelligence.



## Ordering information

Type	Part no.
LL3-DV01	5308088

**Included in delivery:** FC (1)

Other models and accessories → [www.sick.com/LL3](http://www.sick.com/LL3)

## Detailed technical data

### Features

<b>Device type</b>	Fibers, fiber suitable for WLL260
<b>Functional principle</b>	Proximity system
<b>For fiber-optic sensor</b>	GLL170(T), WLL180, WLL24 Ex, WLL80
<b>Fiber length</b>	2,000 mm
<b>Fiber material</b>	Polymethylmethacrylat (PMMA)
<b>Jacket material</b>	Polyethylen (PE)
<b>Fiber head material</b>	Stainless steel
<b>Outer diameter, fiber-optic cable connection</b>	2.2 mm
<b>Fiber-optic cable cuttable</b>	✓
<b>Smooth sleeve diameter (greatest diameter)</b>	5 mm
<b>Fiber-optic head design</b>	Smooth sleeve, Long end sleeve, 90° deflection
<b>Fiber arrangement</b>	Monofiber
<b>Core structure</b>	2 x Ø 1,0 mm <sup>1)</sup> Monofiber
<b>Angle of dispersion &lt; 60°</b>	No
<b>Compatibility with infrared light (1,450 nm)</b>	No
<b>Diameter/thread size from 2 mm taper</b>	≥ 2.7 mm
<b>Length of taper</b>	≥ 20 mm
<b>Diameter of taper</b>	≥ 2.7 mm
<b>Highly flexible/elastic fibers (bend radius 1–4 mm)</b>	No
<b>Adapter end sleeves required</b>	No
<b>Angle of dispersion</b>	60°
<b>Integrated lens</b>	No
<b>Minimal object diameter</b>	0.025 mm <sup>2)</sup>
<b>Included with delivery</b>	FC fiber cutter (5304141)
<b>Compatibility tip adapters</b>	No
<b>Special features</b>	90° deflection integrated, minimum insertion depths

<sup>1)</sup> C = Coaxial, S = Sender, E = Receiver.

<sup>2)</sup> Minimum detectable object was determined at optimum measuring distance and optimum setting.

Mechanics/electronics

<b>Bend radius, fibre-optic cable</b>	25 mm
<b>Ambient operating temperature</b>	-40 °C ... +70 °C

Classifications

<b>ECLASS 5.0</b>	27270905
<b>ECLASS 5.1.4</b>	27270905
<b>ECLASS 6.0</b>	27270905
<b>ECLASS 6.2</b>	27270905
<b>ECLASS 7.0</b>	27270905
<b>ECLASS 8.0</b>	27270905
<b>ECLASS 8.1</b>	27270905
<b>ECLASS 9.0</b>	27270905
<b>ECLASS 10.0</b>	27270905
<b>ECLASS 11.0</b>	27270905
<b>ECLASS 12.0</b>	27270905
<b>ETIM 5.0</b>	EC002651
<b>ETIM 6.0</b>	EC002651
<b>ETIM 7.0</b>	EC002651
<b>ETIM 8.0</b>	EC002651
<b>UNSPSC 16.0901</b>	39121528

Sensing ranges with WLL80

<b>Operating mode 16 µs</b>	90 mm
<b>Operating mode 70 µs</b>	235 mm
<b>Operating mode 250 µs</b>	345 mm
<b>Operating mode 500 µs</b>	415 mm
<b>Operating mode 1 ms</b>	450 mm
<b>Operating mode 2 ms</b>	605 mm
<b>Operating mode 8 ms</b>	850 mm

Sensing ranges with WLL180T

<b>Operating mode 16 µs</b>	40 mm
<b>Operating mode 70 µs</b>	135 mm
<b>Operating mode 250 µs</b>	180 mm
<b>Operating mode 2 ms</b>	270 mm
<b>Operating mode 8 ms</b>	330 mm
<b>Note</b>	Sensing ranges related to fiber-optic sensors with type of light: visible red light

Sensing ranges with GLL170

<b>Operating mode 250 µs</b>	150 mm
------------------------------	--------

Sensing ranges with GLL170T

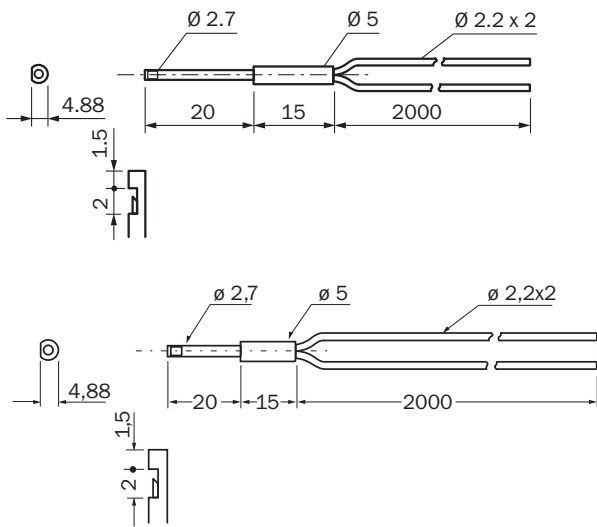
<b>Operating mode 50 µs</b>	200 mm
-----------------------------	--------

Operating mode 250  $\mu$ s

300 mm

### Dimensional drawing (Dimensions in mm (inch))

LL3-DV01



## SICK AT A GLANCE

SICK is one of the leading manufacturers of intelligent sensors and sensor solutions for industrial applications. A unique range of products and services creates the perfect basis for controlling processes securely and efficiently, protecting individuals from accidents and preventing damage to the environment.

We have extensive experience in a wide range of industries and understand their processes and requirements. With intelligent sensors, we can deliver exactly what our customers need. In application centers in Europe, Asia and North America, system solutions are tested and optimized in accordance with customer specifications. All this makes us a reliable supplier and development partner.

Comprehensive services complete our offering: SICK LifeTime Services provide support throughout the machine life cycle and ensure safety and productivity.

For us, that is “Sensor Intelligence.”

## WORLDWIDE PRESENCE:

Contacts and other locations –[www.sick.com](http://www.sick.com)