



IHM04-0B8PSVR8S

IMM

INDUCTIVE PROXIMITY SENSORS

SICK
Sensor Intelligence.



Illustration may differ

Ordering information

| Type | Part no. |
|-----------------|----------|
| IHM04-0B8PSVR8S | 1107732 |

Other models and accessories → www.sick.com/IMM



Detailed technical data

Features

| | |
|--|---------------------------------------|
| Housing | Cylindrical smooth housing |
| Housing | Standard design |
| Diameter | Ø 4 mm |
| Sensing range S_n | 0.8 mm |
| Safe sensing range S_a | 0.648 mm |
| Installation type | Flush |
| Switching frequency | 5,000 Hz |
| Connection type | Cable with connector M8, 3-pin, 0.2 m |
| Switching output | PNP |
| Output function | NO |
| Electrical wiring | DC 3-wire |
| Enclosure rating | IP67 ¹⁾ |
| Special features | Visual adjustment indicator, IO-Link |
| Items supplied | Cable flag, Polymatic 50 (1 x) |

¹⁾ According to EN 60529.

Mechanics/electronics

| | |
|---------------------------------------|----------------------|
| Supply voltage | 10 V DC ... 30 V DC |
| Ripple | ≤ 20 % ¹⁾ |
| Voltage drop | ≤ 2 V ²⁾ |
| Time delay before availability | ≤ 10 ms |
| Hysteresis | 1 % ... 15 % |

¹⁾ Of V_S .

²⁾ With $I_a = 200$ mA.

³⁾ Supply voltage U_b and constant ambient temperature T_a .

| | |
|---|--|
| Reproducibility | ≤ 2.5 % ³⁾ |
| Temperature drift (of S_r) | ≤ 10 % |
| EMC | EN 60947-5-2 |
| Continuous current I_a | ≤ 200 mA |
| Cable material | PUR |
| Cable diameter | Ø 2.9 mm |
| Short-circuit protection | ✓ |
| Reverse polarity protection | ✓ |
| Power-up pulse protection | ✓ |
| Shock and vibration resistance | 30 g, 11 ms / 10 ... 55 Hz, 1 mm |
| Ambient operating temperature | -25 °C ... +70 °C |
| Housing material | Stainless steel V2A, DIN 1.4305 / AISI 303 |
| Sensing face material | Plastic, LCP |
| Housing length | 25 mm |
| UL File No. | NRKH.E348498 |

¹⁾ Of V_S.

²⁾ With I_a = 200 mA.

³⁾ Supply voltage U_b and constant ambient temperature T_a.

Safety-related parameters

| | |
|-------------------------------------|-------------|
| MTTF_D | 1,350 years |
| DC_{avg} | 0 % |
| T_M (mission time) | 20 years |

Communication interface

| | |
|---------------------------------------|--|
| Communication interface | IO-Link V1.1 |
| Communication Interface detail | COM2 (38,4 kBaud) |
| Cycle time | 10.4 ms |
| Process data length | 1 Byte |
| Process data structure | Bit 0 = Sr reached Bit 1 = Sa reached |

Reduction factors

| | |
|-----------------------------------|--|
| Note | The values are reference values which may vary |
| St37 steel (Fe) | 1 |
| Stainless steel (V2A, 304) | Approx. 76 |
| Aluminum (Al) | Approx. 0.49 |
| Copper (Cu) | Approx. 0.37 |
| Brass (Br) | Approx. 0.57 |

Installation note

| | |
|---------------|---------------------------------------|
| Remark | Associated graphic see "Installation" |
| B | 0.5 mm |
| C | 4 mm |
| D | 2.4 mm |

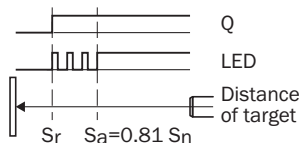
| | |
|----------|------|
| F | 3 mm |
|----------|------|

Classifications

| | |
|-----------------------|----------|
| eCl@ss 5.0 | 27270101 |
| eCl@ss 5.1.4 | 27270101 |
| eCl@ss 6.0 | 27270101 |
| eCl@ss 6.2 | 27270101 |
| eCl@ss 7.0 | 27270101 |
| eCl@ss 8.0 | 27270101 |
| eCl@ss 8.1 | 27270101 |
| eCl@ss 9.0 | 27270101 |
| eCl@ss 10.0 | 27270101 |
| eCl@ss 11.0 | 27270101 |
| eCl@ss 12.0 | 27274001 |
| ETIM 5.0 | EC002714 |
| ETIM 6.0 | EC002714 |
| ETIM 7.0 | EC002714 |
| ETIM 8.0 | EC002714 |
| UNSPSC 16.0901 | 39122230 |

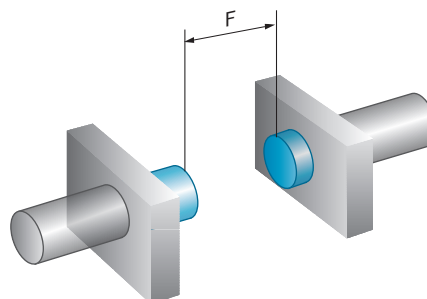
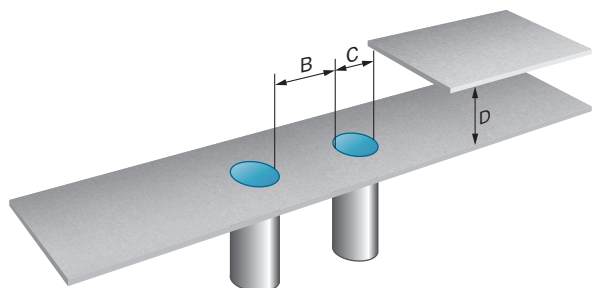
Adjustments

Installation aid

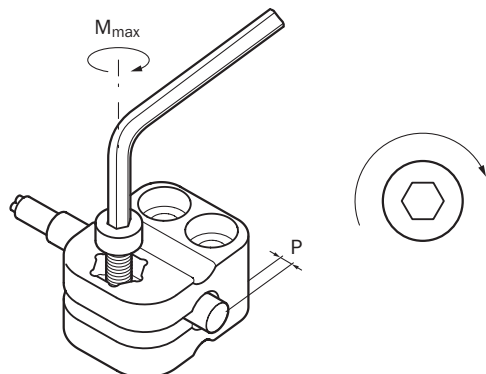


Installation note

Flush installation

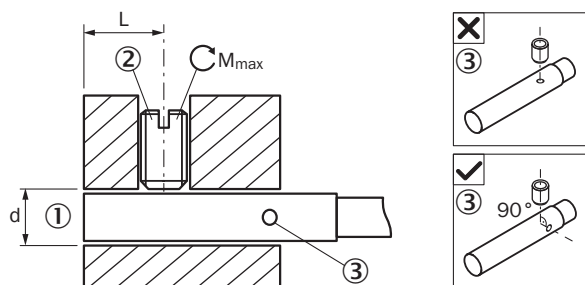


Mounting using BEF-KH-M0 bracket



| Sensor type | Mounting adapter | Overrun (P) | Max. tightening torque (M_{max}) |
|-----------------|------------------------------|-----------------------------|--------------------------------------|
| IHM03 | BEF-KH-M03, part no. 2101064 | 0 mm ... 2 mm / ≥ 2 mm | ≤ 0.4 Nm / ≤ 0.6 Nm |
| IHM04 | BEF-KH-M04, part no. 2101065 | 0 mm ... 2 mm / ≥ 2 mm | ≤ 0.4 Nm / ≤ 0.6 Nm |
| IMM04 | BEF-KH-M04, part no. 2101065 | ≥ 0 mm | ≤ 0.6 Nm |
| IMM05 | BEF-KH-M05, part no. 2101066 | ≥ 0 mm | ≤ 0.6 Nm |
| IHM06 flush | BEF-KH-M06, part no. 2101067 | ≥ 0 mm | ≤ 0.6 Nm |
| IHM06 non-flush | BEF-KH-M06, part no. 2101067 | ≥ 4 mm | ≤ 0.6 Nm |

Fixing with setscrew

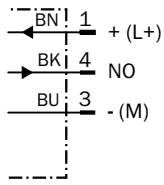


- ① Sensing face
- ② Recommended setscrew: M3, flat point
- ③ Display LED

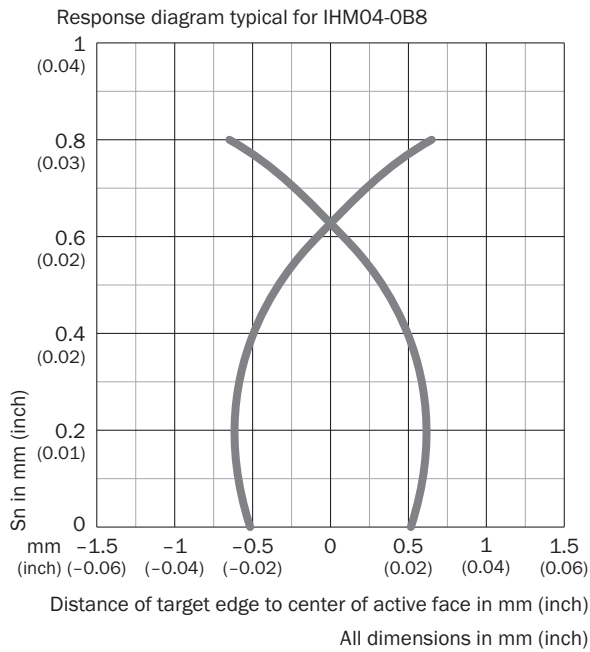
| IHM04 | Mounting area (L) | Max. tightening torque (M_{max}) | Diameter of mounting hole (d) |
|------------------------------------|--------------------|--------------------------------------|---|
| IHM04-0B8****K IHM04-1B5****K | 5.5 mm ... 9.5 mm | ≤ 0.1 Nm | $\varnothing 4$ mm ... $\varnothing 4.3$ mm |
| IHM04-0B8****S IHM04-1B5****S | 5.5 mm ... 22.5 mm | ≤ 0.1 Nm | $\varnothing 4$ mm ... $\varnothing 4.3$ mm |
| IHM04-0B8***TOS IHM04-1B5***TOS | 5.5 mm ... 18.5 mm | ≤ 0.1 Nm | $\varnothing 4$ mm ... $\varnothing 4.3$ mm |
| IHM04-2B5****K | 8.5 mm ... 9.5 mm | ≤ 0.1 Nm | $\varnothing 4$ mm ... $\varnothing 4.3$ mm |
| IHM04-2B5****S | 8.5 mm ... 22.5 mm | ≤ 0.1 Nm | $\varnothing 4$ mm ... $\varnothing 4.3$ mm |
| IHM04-2B5***TOS | 5.5 mm ... 18.5 mm | ≤ 0.1 Nm | $\varnothing 4$ mm ... $\varnothing 4.3$ mm |

Connection diagram

Cd-002

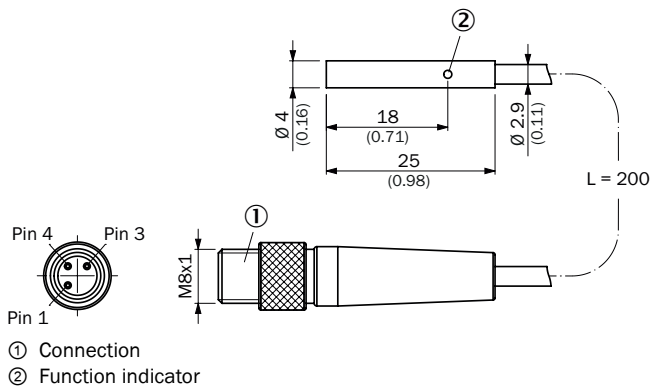


Response diagram



Dimensional drawing (Dimensions in mm (inch))



IHM04, standard variant, flush, pigtail



Recommended accessories

Other models and accessories → www.sick.com/IMM

| | Brief description | Type | Part no. |
|---|---|------------------------|----------|
| Distributors | | | |
|  | Head A: 3-pin Cable: unshielded | Y8A34A2- C2A8000XXX | 2115733 |
|  | Head A: 3-pin Cable: PUR, halogen-free, unshielded, 5 m | Y8A34A2- LXXXUAA050 | 2115727 |
|  | Head A: 3-pin Cable: unshielded | Y8A36A2- C2A8000XXX | 2115734 |
|  | Head A: 3-pin Cable: PUR, halogen-free, unshielded, 5 m | Y8A36A2- LXXXUBA050 | 2115728 |
| Plug connectors and cables | | | |
|  | Head A: female connector, M8, 3-pin, straight, A-coded Head B: Flying leads Cable: Sensor/actuator cable, PUR, halogen-free, unshielded, 2 m | YF8U13- 020UA1XLEAX | 2094782 |
|  | Head A: female connector, M8, 3-pin, straight, A-coded Head B: Flying leads Cable: Sensor/actuator cable, PUR, halogen-free, unshielded, 5 m | YF8U13- 050UA1XLEAX | 2094788 |
|  | Head A: female connector, M8, 3-pin, angled, A-coded Head B: Flying leads Cable: Sensor/actuator cable, PUR, halogen-free, unshielded, 2 m | YG8U13- 020UA1XLEAX | 2094794 |
|  | Head A: female connector, M8, 3-pin, angled, A-coded Head B: Flying leads Cable: Sensor/actuator cable, PUR, halogen-free, unshielded, 5 m | YG8U13- 050UA1XLEAX | 2095586 |
|  | Head A: female connector, M8, 3-pin, straight, A-coded Head B: male connector, M12, 3-pin, straight, A-coded Cable: Sensor/actuator cable, PUR, halogen-free, unshielded, 2 m | YF8U13- 020UA1M2A13 | 2096169 |
|  | Head A: female connector, M8, 3-pin, straight, A-coded Head B: male connector, M8, 3-pin, straight, A-coded Cable: Sensor/actuator cable, PUR, halogen-free, unshielded, 2 m | YF8U13- 020UA1M8U13 | 2096304 |
|  | Head A: female connector, M8, 3-pin, straight, A-coded Head B: male connector, M12, 3-pin, straight, A-coded Cable: Sensor/actuator cable, PUR, halogen-free, unshielded, 5 m | YF8U13- 050UA1M2A13 | 2096170 |
|  | Head A: female connector, M8, 3-pin, straight, A-coded Head B: male connector, M8, 3-pin, straight, A-coded Cable: Sensor/actuator cable, PUR, halogen-free, unshielded, 5 m | YF8U13- 050UA1M8U13 | 2096308 |
|  | Head A: female connector, M8, 3-pin, angled, A-coded Head B: male connector, M12, 3-pin, straight, A-coded Cable: Sensor/actuator cable, PUR, halogen-free, unshielded, 2 m | YG8U13- 020UA1M2A13 | 2095748 |
|  | Head A: female connector, M8, 3-pin, angled, A-coded Head B: male connector, M8, 3-pin, straight, A-coded Cable: Sensor/actuator cable, PUR, halogen-free, unshielded, 2 m | YG8U13- 020UA1M8U13 | 2107781 |
|  | Head A: female connector, M8, 3-pin, angled, A-coded Head B: male connector, M12, 3-pin, straight, A-coded Cable: Sensor/actuator cable, PUR, halogen-free, unshielded, 5 m | YG8U13- 050UA1M2A13 | 2122842 |
|  | Head A: male connector, M8, 3-pin, straight Cable: unshielded | STE-0803-G | 6037322 |

| | Brief description | Type | Part no. |
|---|--|--------------|-----------------|
|  | Head A: male connector, M8, 3-pin, angled Cable: unshielded | STE-0803-WSK | 6053170 |
| Terminal and alignment brackets | | | |
|  | Plastic (PA6), without mounting hardware | BEF-KH-M04 | 2101065 |

SICK AT A GLANCE

SICK is one of the leading manufacturers of intelligent sensors and sensor solutions for industrial applications. A unique range of products and services creates the perfect basis for controlling processes securely and efficiently, protecting individuals from accidents and preventing damage to the environment.

We have extensive experience in a wide range of industries and understand their processes and requirements. With intelligent sensors, we can deliver exactly what our customers need. In application centers in Europe, Asia and North America, system solutions are tested and optimized in accordance with customer specifications. All this makes us a reliable supplier and development partner.

Comprehensive services complete our offering: SICK LifeTime Services provide support throughout the machine life cycle and ensure safety and productivity.

For us, that is “Sensor Intelligence.”

WORLDWIDE PRESENCE:

Contacts and other locations –www.sick.com