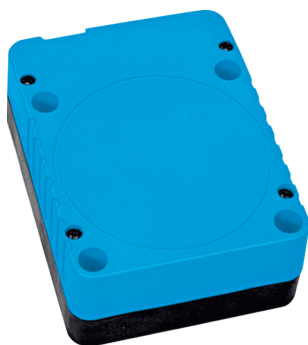


IQ80-60NPP-KK0

IQL

INDUCTIVE PROXIMITY SENSORS

SICK
Sensor Intelligence.



Ordering information

Type	Part no.
IQ80-60NPP-KK0	7900227

Other models and accessories → www.sick.com/IQL



Detailed technical data

Features

Housing	Rectangular
Housing	Standard design
Dimensions (W x H x D)	80 mm x 105 mm x 40 mm
Sensing range S_n	60 mm
Safe sensing range S_a	48.6 mm
Installation type	Non-flush
Switching frequency	100 Hz
Connection type	Terminal connection with M20 gland
Switching output	PNP
Output function	NC or NO
Output characteristic	Wire configurable
Electrical wiring	DC 3-wire
Enclosure rating	IP65 ¹⁾

¹⁾ According to EN 60529.

Mechanics/electronics

Supply voltage	10 V DC ... 36 V DC
Voltage drop	≤ 2.5 V ¹⁾
Hysteresis	1 % ... 15 %
Temperature drift (of S_n)	± 10 %
EMC	According to EN 60947-5-2
Continuous current I_a	≤ 250 mA
Off-state current	≤ 0.5 mA
Cable gland clamping area	M20 1.5

¹⁾ With I_a max and U_b 24 V.

Wire size	≤ 2.5 mm ²
Short-circuit protection	✓
Reverse polarity protection	✓
Power-up pulse protection	✓
Shock and vibration resistance	30 g, 11 ms / 10 ... 55 Hz, 1 mm
Ambient operating temperature	-25 °C ... +80 °C
Housing material	Plastic, PPE
Sensing face material	Plastic, PPE

¹⁾ With I_{a max} and U_b 24 V.

Safety-related parameters

MTTF_D	2,043 years
DC_{avg}	0 %
T_M (mission time)	20 years

Reduction factors

Note	The values are reference values which may vary
Stainless steel (V2A, 304)	Approx. 0.7
Aluminum (Al)	Approx. 0.3
Copper (Cu)	Approx. 0.2
Brass (Br)	Approx. 0.4

Installation note

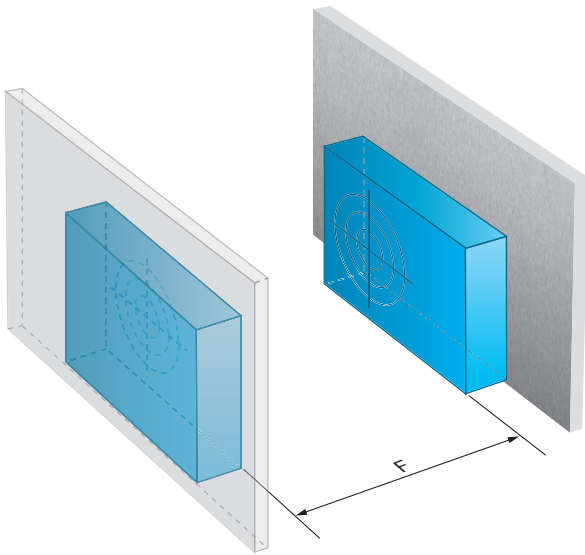
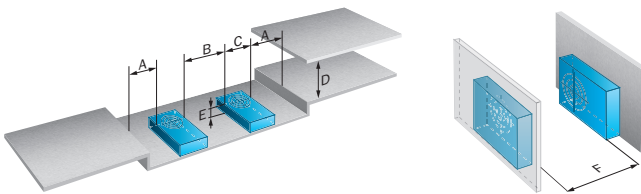
Remark	Associated graphic see "Installation"
A	160 mm
B	160 mm
C	80 mm
D	150 mm
E	40 mm
F	480 mm

Classifications

eCl@ss 5.0	27270101
eCl@ss 5.1.4	27270101
eCl@ss 6.0	27270101
eCl@ss 6.2	27270101
eCl@ss 7.0	27270101
eCl@ss 8.0	27270101
eCl@ss 8.1	27270101
eCl@ss 9.0	27270101
eCl@ss 10.0	27270101
eCl@ss 11.0	27270101
eCl@ss 12.0	27274001
ETIM 5.0	EC002714

ETIM 6.0	EC002714
ETIM 7.0	EC002714
ETIM 8.0	EC002714
UNSPSC 16.0901	39122230

Installation note

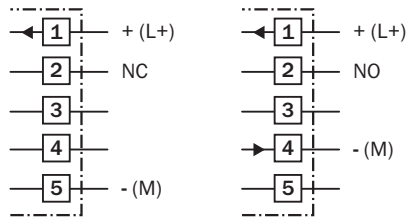


Connection type



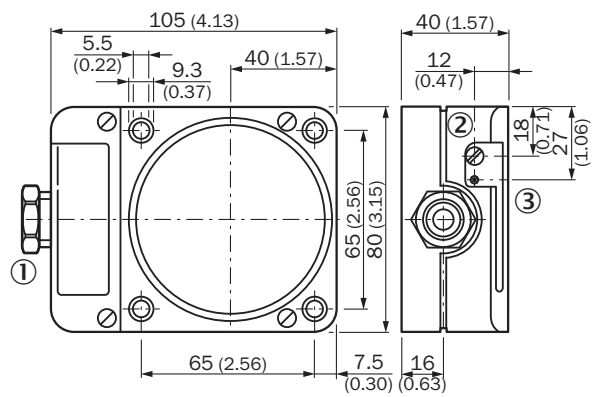
Connection diagram

Cd-024



Dimensional drawing (Dimensions in mm (inch))

IQ80, DC 3-wire



- ① Connection
- ② Potentiometer
- ③ Display LED

SICK AT A GLANCE

SICK is one of the leading manufacturers of intelligent sensors and sensor solutions for industrial applications. A unique range of products and services creates the perfect basis for controlling processes securely and efficiently, protecting individuals from accidents and preventing damage to the environment.

We have extensive experience in a wide range of industries and understand their processes and requirements. With intelligent sensors, we can deliver exactly what our customers need. In application centers in Europe, Asia and North America, system solutions are tested and optimized in accordance with customer specifications. All this makes us a reliable supplier and development partner.

Comprehensive services complete our offering: SICK LifeTime Services provide support throughout the machine life cycle and ensure safety and productivity.

For us, that is “Sensor Intelligence.”

WORLDWIDE PRESENCE:

Contacts and other locations –www.sick.com