



DOL-1204-W25MRN

Sensor/actuator cable

PLUG CONNECTORS AND CABLES

SICK
Sensor Intelligence.



Ordering information

| Type | Part no. |
|-----------------|----------|
| DOL-1204-W25MRN | 6058481 |

Other models and accessories → www.sick.com/Sensor_actuator_cable



Detailed technical data

Technical specifications

| | |
|--------------------------------|--|
| Accessory group | Plug connectors and cables |
| Accessory family | Connecting cables |
| Connection type head A | Female connector, M12, 4-pin, angled |
| Connection type head B | Flying leads |
| Connection type | Flying leads |
| Connector material | PP |
| Connector color | Gray |
| Locking nut material | Stainless steel (V4A/1.4404) |
| Tightening torque | 1 Nm |
| Width across flats | 14 |
| Cable | 25 m, 4-wire, PP |
| Jacket material | pp ¹⁾ |
| Jacket color | Gray |
| Cable diameter | 4.6 mm |
| Conductor cross section | 0.34 mm ² |
| Shielding | Unshielded |
| Bending radius | |
| | Flexible use > 10 x cable diameter |
| | Stationary position > 5 x cable diameter |
| Bending cycles | ≥ 4,000,000 |
| Reference voltage | ≤ 250 V |
| Rated impulse voltage | 2.5 kV |
| Current loading | 4 A |
| Signal type | Sensor/actuator cable |
| Torsion force | 180° / 1 m |

¹⁾ Silicone-free, halogen-free, LABS-free.

²⁾ Tested cleaning agents: 3% P3 - topax 990, 5% P3 - topoactive 200, 5% P3 - topax 52, 3% P3 - topax 66, 3% P3 - topoactive OKTO; Insulating material group: Cat I.

| | |
|--------------------------------------|---|
| Application | Hygienic and washdown zones Drag chain operation |
| Note | This product is generally resistant to chemical cleaning agents (see ECOLAB) and other chemical compounds such as H2O2 and CH2O2. Before permanent installation is carried out, the material's resistance to the cleaning agent being used must be checked., Resistant against lactic acid & hydrogen peroxide (H2O2) ²⁾ |
| Authorizations | Ecolab |
| Enclosure rating | IP67/ IP69K |
| Ambient operating temperature | |
| Flexible use | -25 °C ... +105 °C |
| Stationary position | -40 °C ... +105 °C |

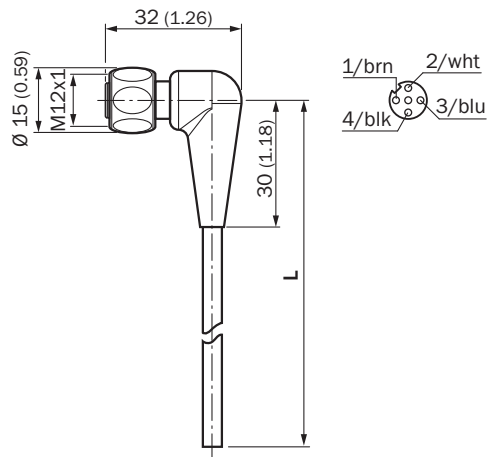
¹⁾ Silicone-free, halogen-free, LABS-free.

²⁾ Tested cleaning agents: 3% P3 – topax 990, 5% P3 – topoactive 200, 5% P3 – topax 52, 3% P3 – topax 66, 3% P3 – topoactive OKTO; Insulating material group: Cat I.

Classifications

| | |
|-----------------------|----------|
| ECLASS 5.0 | 19030312 |
| ECLASS 5.1.4 | 19030312 |
| ECLASS 6.0 | 27060304 |
| ECLASS 6.2 | 27060304 |
| ECLASS 7.0 | 27060304 |
| ECLASS 8.0 | 27060304 |
| ECLASS 8.1 | 27060304 |
| ECLASS 9.0 | 27060304 |
| ECLASS 10.0 | 27060304 |
| ECLASS 11.0 | 27060304 |
| ECLASS 12.0 | 27060304 |
| ETIM 5.0 | EC000830 |
| ETIM 6.0 | EC000830 |
| ETIM 7.0 | EC003249 |
| ETIM 8.0 | EC003249 |
| UNSPSC 16.0901 | 26121604 |

Dimensional drawing (Dimensions in mm (inch))



SICK AT A GLANCE

SICK is one of the leading manufacturers of intelligent sensors and sensor solutions for industrial applications. A unique range of products and services creates the perfect basis for controlling processes securely and efficiently, protecting individuals from accidents and preventing damage to the environment.

We have extensive experience in a wide range of industries and understand their processes and requirements. With intelligent sensors, we can deliver exactly what our customers need. In application centers in Europe, Asia and North America, system solutions are tested and optimized in accordance with customer specifications. All this makes us a reliable supplier and development partner.

Comprehensive services complete our offering: SICK LifeTime Services provide support throughout the machine life cycle and ensure safety and productivity.

For us, that is “Sensor Intelligence.”

WORLDWIDE PRESENCE:

Contacts and other locations –www.sick.com