



STL-1204-W05ME90

Industrial Ethernet cables and fieldbus cables

PLUG CONNECTORS AND CABLES

SICK
Sensor Intelligence.



Ordering information

Type	Part no.
STL-1204-W05ME90	6047913

Other models and accessories → www.sick.com/Industrial_Ethernet_cables_and_fieldbus_cables

Detailed technical data

Technical specifications

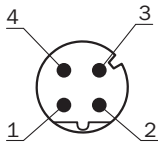
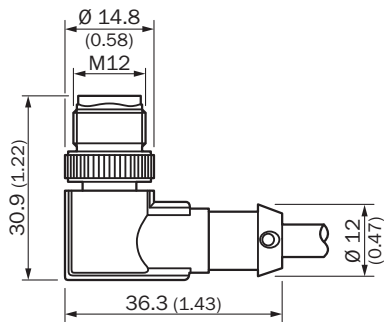
Accessory group	Plug connectors and cables				
Accessory family	Connecting cables				
Connection type head A	Male connector, M12, 4-pin, angled, D-coded				
Connection type head B	Flying leads				
Locking nut material	Zinc die-cast, nickel-plated				
Cable	5 m, 4-wire, CAT5, CAT5e, PUR, halogen-free				
Jacket material	PUR, halogen-free				
Jacket color	Water blue (RAL 5021)				
Cable diameter	6.4 mm				
Conductor cross section	2 x 2 x 0.14 mm ²				
Shielding	Shielded				
Bending radius	<table border="0"> <tr> <td style="padding-right: 20px;">Flexible use</td> <td>> 8 x cable diameter</td> </tr> <tr> <td>Stationary position</td> <td>> 4 x cable diameter</td> </tr> </table>	Flexible use	> 8 x cable diameter	Stationary position	> 4 x cable diameter
Flexible use	> 8 x cable diameter				
Stationary position	> 4 x cable diameter				
Signal type	Ethernet				
Transmission characteristics	CAT5				
Data transmission rate	≤ 100 Mbit/s				
Enclosure rating	IP65/ IP67				
Description	M12 male connector D-coded angled to open end				
Ambient operating temperature	<table border="0"> <tr> <td style="padding-right: 20px;">Stationary position</td> <td>-20 °C ... +80 °C</td> </tr> </table>	Stationary position	-20 °C ... +80 °C		
Stationary position	-20 °C ... +80 °C				

Classifications

ECLASS 5.0	19030312
ECLASS 5.1.4	19030312
ECLASS 6.0	27060304
ECLASS 6.2	27060304
ECLASS 7.0	27060304
ECLASS 8.0	27060304
ECLASS 8.1	27060304
ECLASS 9.0	27060304
ECLASS 10.0	27060304

ECLASS 11.0	27060304
ECLASS 12.0	27060304
ETIM 5.0	EC000830
ETIM 6.0	EC000830
ETIM 7.0	EC003249
ETIM 8.0	EC003249
UNSPSC 16.0901	26121604

Dimensional drawing (Dimensions in mm (inch))



- ① White-orange
- ② White-green
- ③ Orange
- ④ Green

SICK AT A GLANCE

SICK is one of the leading manufacturers of intelligent sensors and sensor solutions for industrial applications. A unique range of products and services creates the perfect basis for controlling processes securely and efficiently, protecting individuals from accidents and preventing damage to the environment.

We have extensive experience in a wide range of industries and understand their processes and requirements. With intelligent sensors, we can deliver exactly what our customers need. In application centers in Europe, Asia and North America, system solutions are tested and optimized in accordance with customer specifications. All this makes us a reliable supplier and development partner.

Comprehensive services complete our offering: SICK LifeTime Services provide support throughout the machine life cycle and ensure safety and productivity.

For us, that is “Sensor Intelligence.”

WORLDWIDE PRESENCE:

Contacts and other locations –www.sick.com