



STE-2312-GX

Field-attachable connectors

PLUG CONNECTORS AND CABLES

SICK
Sensor Intelligence.



Ordering information

Type	Part no.
STE-2312-GX	6028548

Other models and accessories → www.sick.com/Field-attachable_connectors

Detailed technical data

Technical specifications

Accessory group	Plug connectors and cables
Accessory family	Field-attachable connectors
Connection type head A	Male connector, M23, 12-pin, straight
Connection type	Solder connection
Locking plug connector	Quick screw connection
Connector material	Zinc diecast
Locking nut material	Nickel-plated
Conductor cross section	1.5 mm ²
Shielding	Shielded
Reference voltage	≤ 300 V
Current loading	8 A
Signal type	HIPERFACE [®] , SSI, Incremental
Enclosure rating	IP66/ IP67 ¹⁾
Description	M23 female connector with central fixing (for cabinet bushing)
Ambient operating temperature	Head -40 °C ... +130 °C

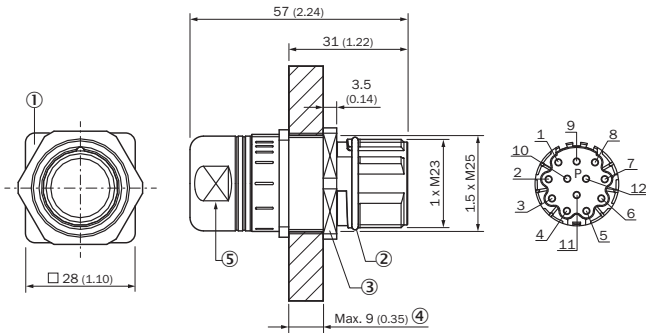
¹⁾ Locked.

Classifications

ECLASS 5.0	27279290
ECLASS 5.1.4	27279290
ECLASS 6.0	27279221
ECLASS 6.2	27279221
ECLASS 7.0	27440104
ECLASS 8.0	27440104
ECLASS 8.1	27440104
ECLASS 9.0	27440102
ECLASS 10.0	27440102
ECLASS 11.0	27440102
ECLASS 12.0	27440116

ETIM 5.0	EC002635
ETIM 6.0	EC002635
ETIM 7.0	EC002635
ETIM 8.0	EC002635
UNSPSC 16.0901	39121421

Dimensional drawing (Dimensions in mm (inch))



- ① Fixed stop position
- ② Vibration protection
- ③ Fixing nut SW30
- ④ Max. wall thickness
- ⑤ SW23

SICK AT A GLANCE

SICK is one of the leading manufacturers of intelligent sensors and sensor solutions for industrial applications. A unique range of products and services creates the perfect basis for controlling processes securely and efficiently, protecting individuals from accidents and preventing damage to the environment.

We have extensive experience in a wide range of industries and understand their processes and requirements. With intelligent sensors, we can deliver exactly what our customers need. In application centers in Europe, Asia and North America, system solutions are tested and optimized in accordance with customer specifications. All this makes us a reliable supplier and development partner.

Comprehensive services complete our offering: SICK LifeTime Services provide support throughout the machine life cycle and ensure safety and productivity.

For us, that is “Sensor Intelligence.”

WORLDWIDE PRESENCE:

Contacts and other locations –www.sick.com