

Miniature Toggle Switches **multicomp**PRO

**RoHS
Compliant**



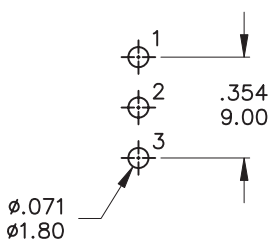
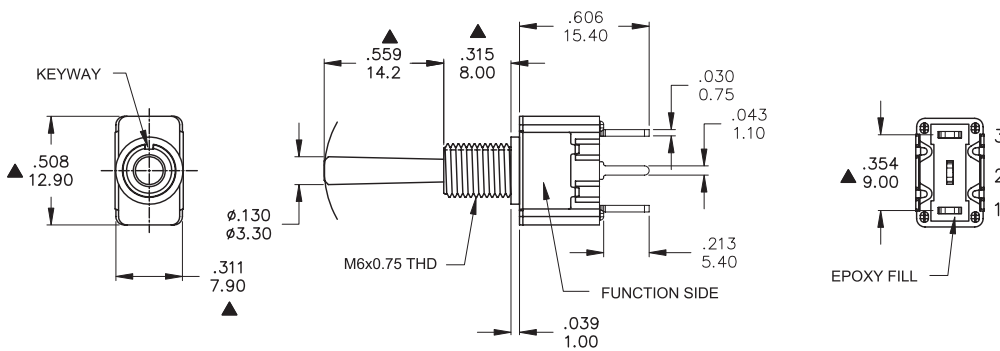
Specifications

Mechanical Life : 100,000 make-and-break cycles.
 Contact Resistance : 10mΩ max.
 Insulation Resistance : 500V 500MΩ min.
 Dielectric Strength : 1,000 Vrms min.@sea level.
 Operating Temperature : -40°C to 85°C.

Materials

Case : Diallyl phthalate (DAP) (UL94V-0)
 Actuator : Brass, Chrome Plated
 Bushing : Brass, Nickel Plated
 Housing : Stainless Steel
 Terminal/Contact : Brass

Diagram



P.C. MOUNTING

--	Contact Plating	Terminal Plating	Ratings
Q	Silver	Silver	6A @ 125V AC
C	Gold over Silver	Gold over silver	3A @ 250V AC or 28V DC
R	Gold	Gold	0.4 Volt-Amps (VA) max. @20V max. (AC or DC)

Switch Function

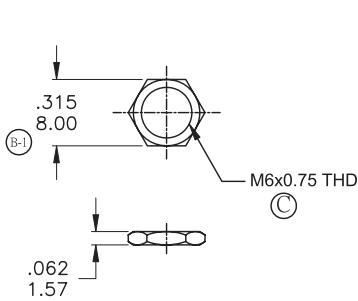
Model	Pos.1	Pos.2	Pos.3
	MP1FS3T3B6M2QES-5	ON	OFF
Term. Comm.	2-3	OPEN	2-1
Schematic			

Dimensions : Inches (Millimetres)

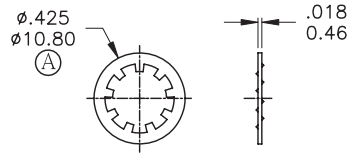
Newark.com/multicomp-pro
 Farnell.com/multicomp-pro
 sg.element14.com/b/multicomp-pro

multicompPRO

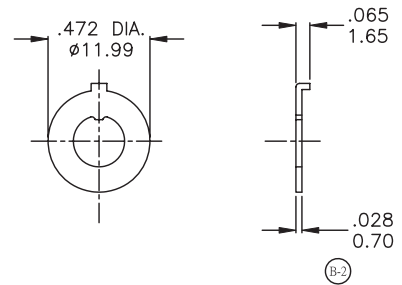
Miniature Toggle Switches **multicomp**PRO



METRIC NUT



LOCKING WASHER



LOCKING RING

Part Number Table

Description	Part Number
Toggle Switch, On-Off-On, PC mount	MP1FS3T3B6M2QES-5

Dimensions : Inches (Millimetres)

Important Notice : This data sheet and its contents (the "Information") belong to the members of the AVNET group of companies (the "Group") or are licensed to it. No licence is granted for the use of it other than for information purposes in connection with the products to which it relates. No licence of any intellectual property rights is granted. The Information is subject to change without notice and replaces all data sheets previously supplied. The Information supplied is believed to be accurate but the Group assumes no responsibility for its accuracy or completeness, any error in or omission from it or for any use made of it. Users of this data sheet should check for themselves the Information and the suitability of the products for their purpose and not make any assumptions based on information included or omitted. Liability for loss or damage resulting from any reliance on the Information or use of it (including liability resulting from negligence or where the Group was aware of the possibility of such loss or damage arising) is excluded. This will not operate to limit or restrict the Group's liability for death or personal injury resulting from its negligence. Multicomp Pro is the registered trademark of Premier Farnell Limited 2019.

Newark.com/multicomp-pro
 Farnell.com/multicomp-pro
 sg.element14.com/b/multicomp-pro

multicompPRO