

# E200 SERIES PUSHBUTTON SWITCH

ANTI-VANDAL SWITCHES  
 DETECTOR SWITCHES  
 DIP SWITCHES  
 KEYLOCK SWITCHES  
 NAVIGATION SWITCHES  
**PUSHBUTTON SWITCHES**  
 ROCKER SWITCHES  
 ROTARY SWITCHES  
 SLIDE SWITCHES  
 SNAP ACTION SWITCHES  
 TACTILE SWITCHES  
 TOGGLE SWITCHES  
 CAP OPTIONS



## APPLICATIONS / MARKETS



**RoHS**

## SPECIFICATIONS

**Contact Arrangement:** 1NO/1NC+1NO/1NC, 1NO/1NC, 2NO, 1NO  
**Contact Rating:** 200mA @ 250VDC  
 5A @ 250VAC [VDE](Pending)  
 6A @24 VDC  
 8A @ 125VAC  
**Agency Approvals:** ANSI/UL508, VDE (Pending)  
**Contact Resistance:** 50mΩ Max. (Initial)  
**Insulation Resistance:** 100 MΩ Min. @ 500VDC  
**Dielectric Strength:** 1,500VAC  
**Electrical Life:** 50,000 Cycles MIN  
**Mechanical Life:** 100,000 Cycles MIN  
**Operating Temperature:** -25°C to 55°C (with lamp)  
 -25°C to 70°C (without lamp)  
**Storage Temperature:** -40°C to 85°C  
**Actuation Force:** 2.0 kgf  
**Panel Thickness:** 5.0mm MAX.  
**Moisture Protection:** IP65

## FEATURES & BENEFITS

- Easy operation
- High actuation force
- Multiple illumination options
- Pushlock turn design to reset
- 16mm cutout size
- IP65 rated

## PART NUMBER CONFIGURATOR

Series	Actuator Options	Housing Options	Illumination Options	Actuator Color
<input type="checkbox"/> <input type="checkbox"/> <input type="checkbox"/> <input type="checkbox"/> <input type="checkbox"/>	<input type="checkbox"/> <input type="checkbox"/> <input type="checkbox"/>	<input type="checkbox"/> <input type="checkbox"/>	<input type="checkbox"/> <input type="checkbox"/>	<input type="checkbox"/>
E200	R11 = Illuminated R22 = Non-Illuminated	A1 = Illuminated 1NO/1NC+1NO/1NC B1 = Illuminated 1NO/NC C1 = Non-Illuminated 1NO/1NC+1NO/1NC D1 = Non-Illuminated 1NO/1NC	0 = No Lamp F = Neon 110V AC G = Neon 220V AC H = LED 6V DC J = LED 12V DC K = LED 24V DC K1 = LED 12 to 24 V AC/DC P = LED 120V AC A = Incandescent 6V AC/DC 200mA B = Incandescent 14V AC/DC 80 mA C = Incandescent 28V AC/DC 40mA D = Incandescent 48V AC/DC 25mA E = Incandescent 60V AC/DC 20mA M = Incandescent 6V AC/DC 40mA N = Incandescent 14V AC/DC 40mA L = Incandescent 33V AC/DC 35mA	R = Red

Specifications subject to change without notice 4.25.2024



**E-SWITCH®**

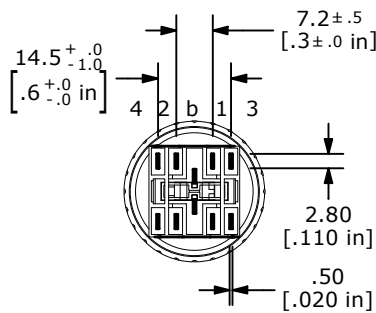
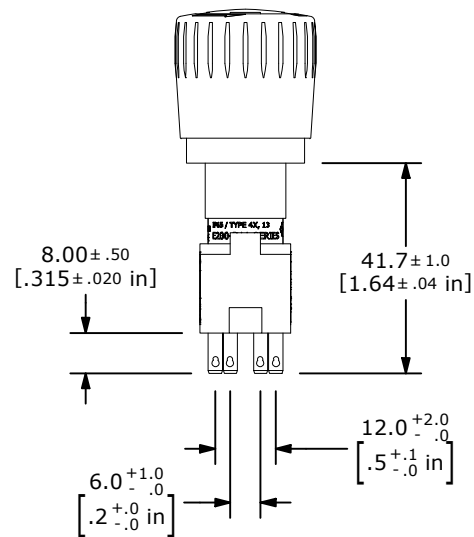
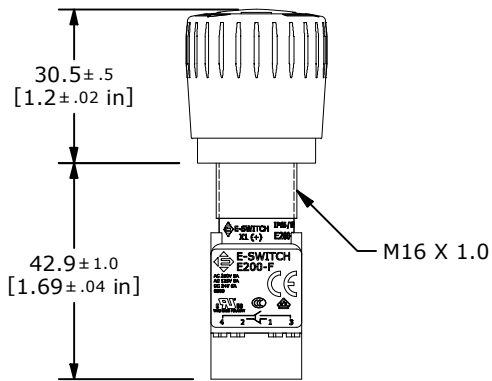
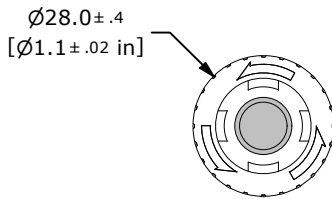
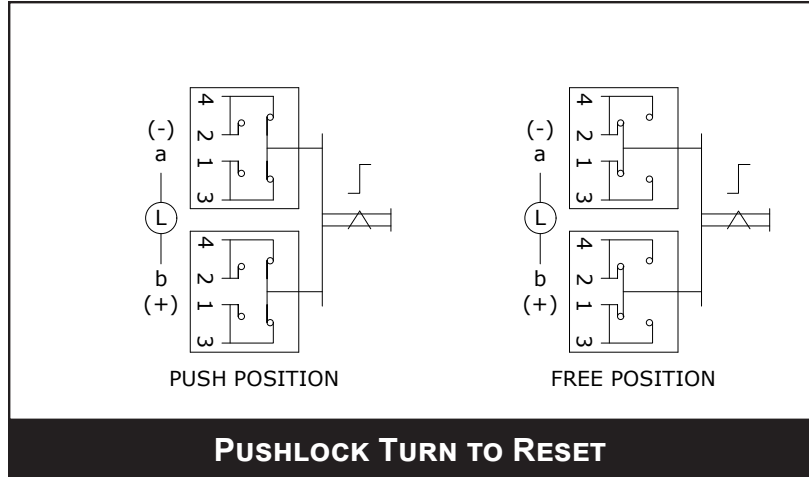
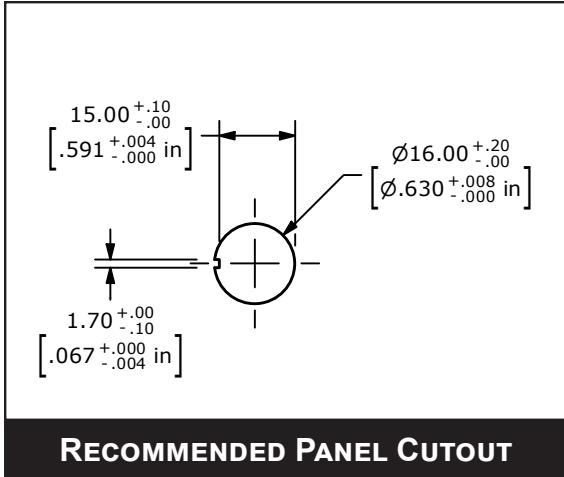
www.e-switch.com

800.867.2717

1

# E200 SERIES PUSHBUTTON SWITCH

## BODY DIMENSIONS - ILLUMINATED



BOTTOM VIEW SHOWN WITHOUT SHROUD ACTUATOR

SIDE VIEW SHOWN WITHOUT TERMINAL SHROUD



# E200 SERIES PUSHBUTTON SWITCH

## BODY DIMENSIONS - NON-ILLUMINATED

