

SPECIFICATIONS

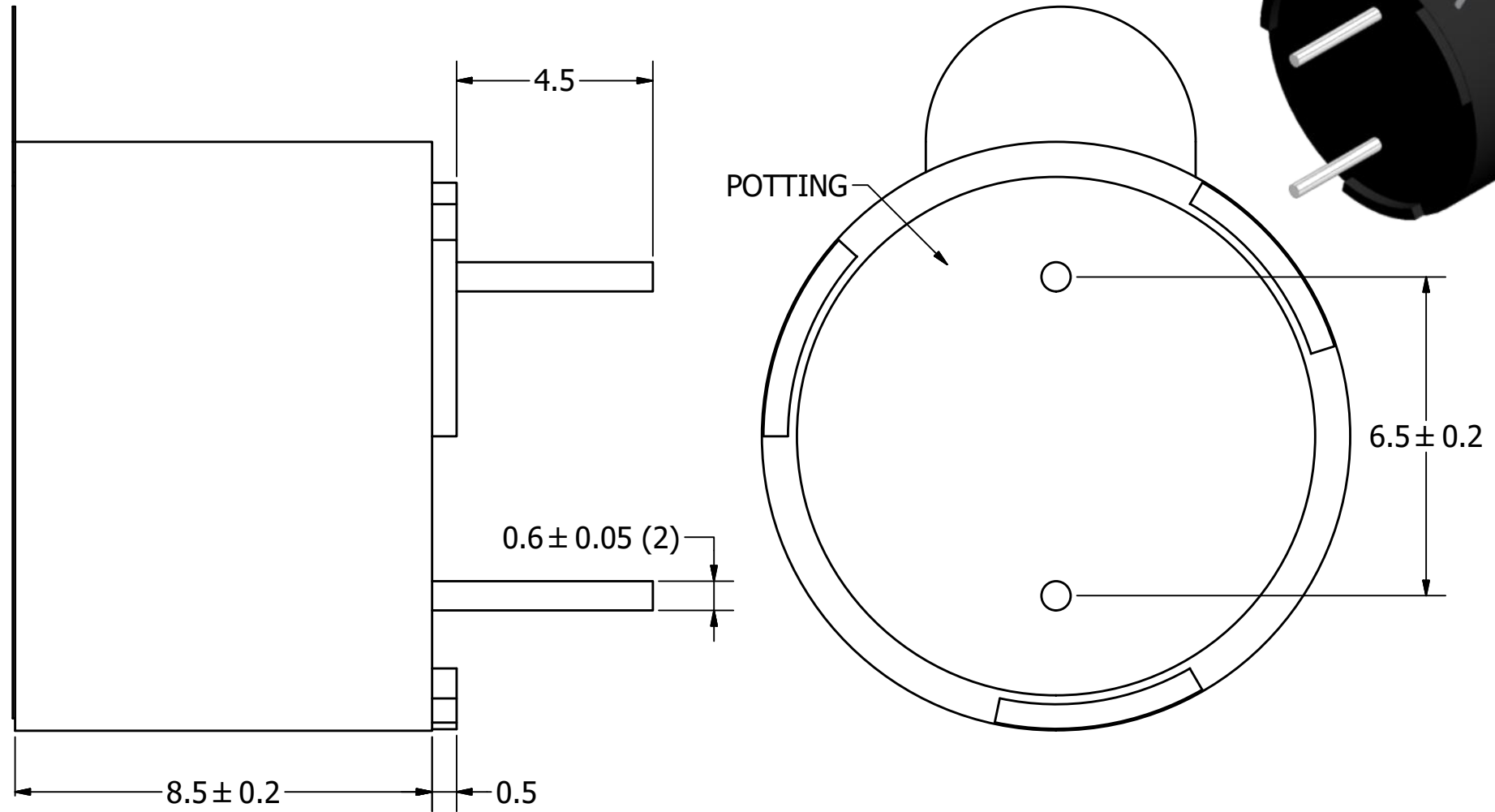
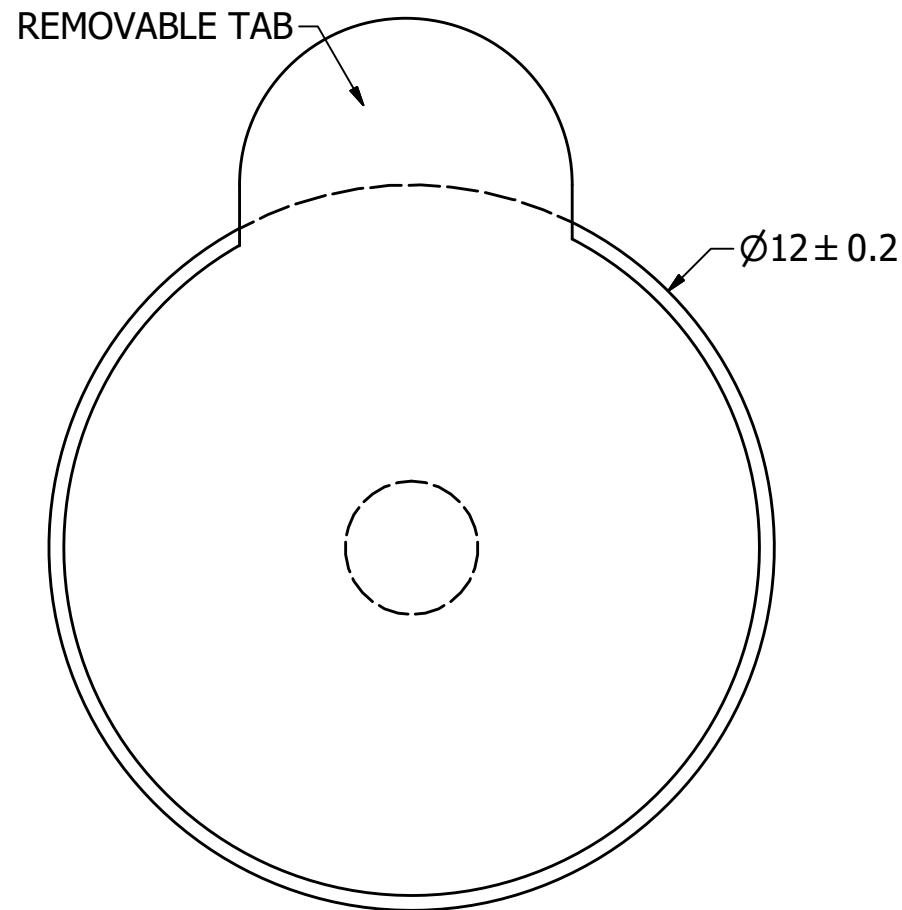
PARAMETERS	VALUES	UNITS
RATED VOLTAGE (SQUARE WAVE)	5	Vpk
OPERATING VOLTAGE RANGE	3 ~ 8	Vpk
RATED CURRENT (MAX)	40	mA
COIL RESISTANCE	47 ± 9.4	OHM
MINIMUM SPL @ 10 CM	85	dBA
RESONANT FREQUENCY	2,400 ± 500	Hz
OPERATING TEMPERATURE	-30 ~ +70	°C
STORAGE TEMPERATURE	-40 ~ +85	°C
HOUSING MATERIAL	NORYL	-
TERMINAL MATERIAL	Sn PLATED RED COPPER	-
WEIGHT	2	grams

THIS DOCUMENT CONTAINS DATA PROPRIETARY TO PUI AUDIO, INC. ANY USE OR REPRODUCTION, IN ANY FORM, WITHOUT PRIOR WRITTEN PERMISSION OF PUI AUDIO, INC. IS PROHIBITED.

©2010, PUI AUDIO Inc.

REVISION HISTORY

LTR	DESCRIPTION	DATE	APPROVED
-	RELEASED FROM ENGINEERING	6/9/2004	
A	ADDED RESONANT FREQUENCY TOLERANCE	9/13/2004	R.W.
B	REMOVED LEAD FREE ADDED RoHS NOTE	8/10/2005	E.P.
C	REVISED HEIGHT DIMENSION	4/11/2006	E.P.
D	ADDED PART NUMBER AND DATE CODE	8/23/2006	B.R.
E	REVISED OPERATING AND STORAGE TEMPERATURE	4/4/2007	D.F.
F	REVISED RoHS NOTE	2/16/2009	B.R.
G	REVISED TO INVENTOR 3-D DRAWING TEMPLATE	10/15/2009	B.R.
H	CHANGE VOLTAGE FROM Vpp to Vpk, UPDATE ROHS	5/16/2019	M.L.
I	REVISED TEMPERATURE RATINGS	2/25/2020	M.L.



NOTES:

1. ALL DIMENSIONS ARE IN MILLIMETERS.
2. SPECIFICATIONS SUBJECT TO CHANGE OR WITHDRAWL WITHOUT NOTICE.
3. THIS PART IS RoHS 2015/863/EU COMPLIANT.

UNLESS OTHERWISE SPECIFIED: DIMENSIONS ARE IN MILLIMETERS, TOLERANCES ARE ±0.5 AND ANGLES ARE ±3°.	SIZE A3	Designed by	Date	Checked by	Date	Approved by	Date	Drawn Date	
		R.A.C.	6/9/2004			R.W.	6/10/2004	10/15/2009	
AT-1224-TWT-R.idw				AT-1224-TWT-R		Transducer (Electro-Mech)		Edition -	Sheet 1 / 1