



# PUI audio



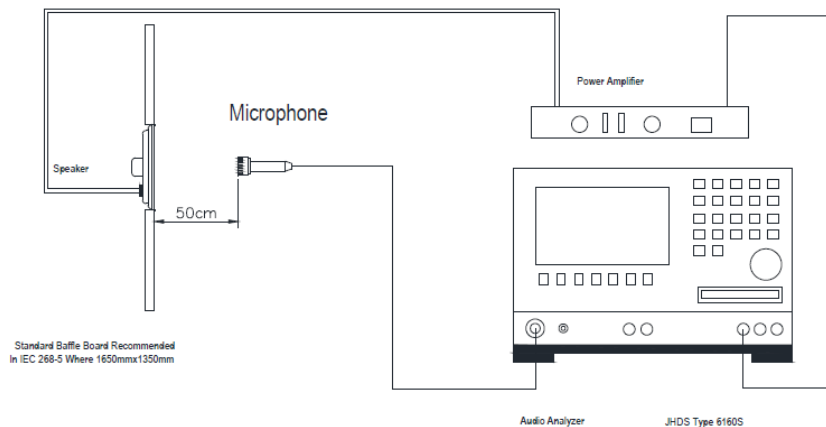
Data Sheet

AS05008MS-R

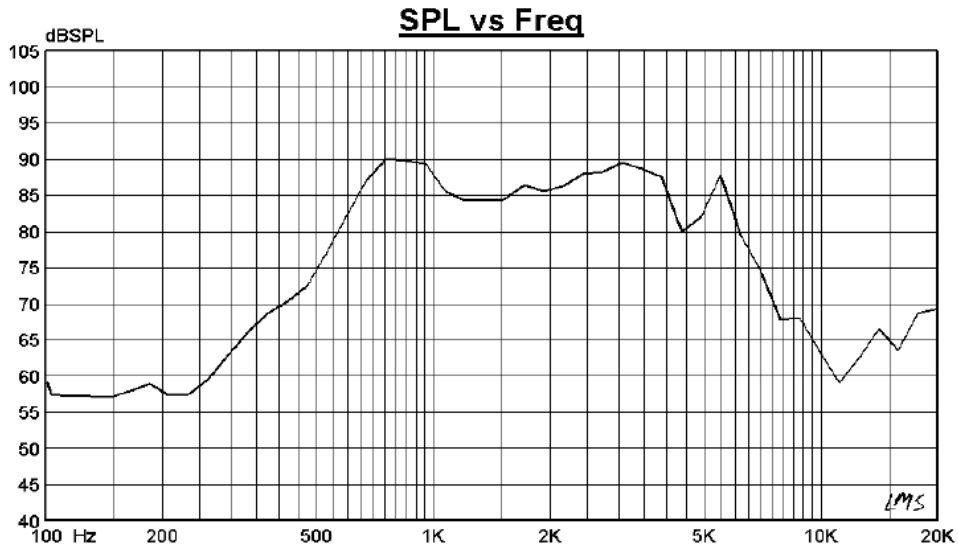
## Specifications

Parameters	Values	Units
Rated Input Power	1.5	Watts
Max Input Power	3	Watts
Impedance	$8 \pm 15\%$	Ohms
Sensitivity (Avg. 1.0, 1.2, 1.5, 2.0kHz @ 1W/1M)	$85 \pm 3$	dBa
Distortion (Max @ 1.5W, 1 kHz)	<5%	-
Resonant Frequency	$800 \pm 20\%$	Hz
Frequency Range	$F_0 \sim 7,000$	Hz
Housing Material	Metal	-
Diaphragm Material	Mylar	-
Magnet Material	NdFeB	-
Weight	18	Grams
Ingress Protection Rating	-	-
Environmental Compliances	ROHS/REACH	-
Buzz, Rattle, etc.	Should not be audible with 3.46V sine wave from $F_0$ -7kHz	
Polarity	When positive voltage is applied to the positive terminal, the diaphragm will move outward	
Operating Temperature	$-20 \sim +60$	°C
Storage Temperature	$-30 \sim +60$	°C

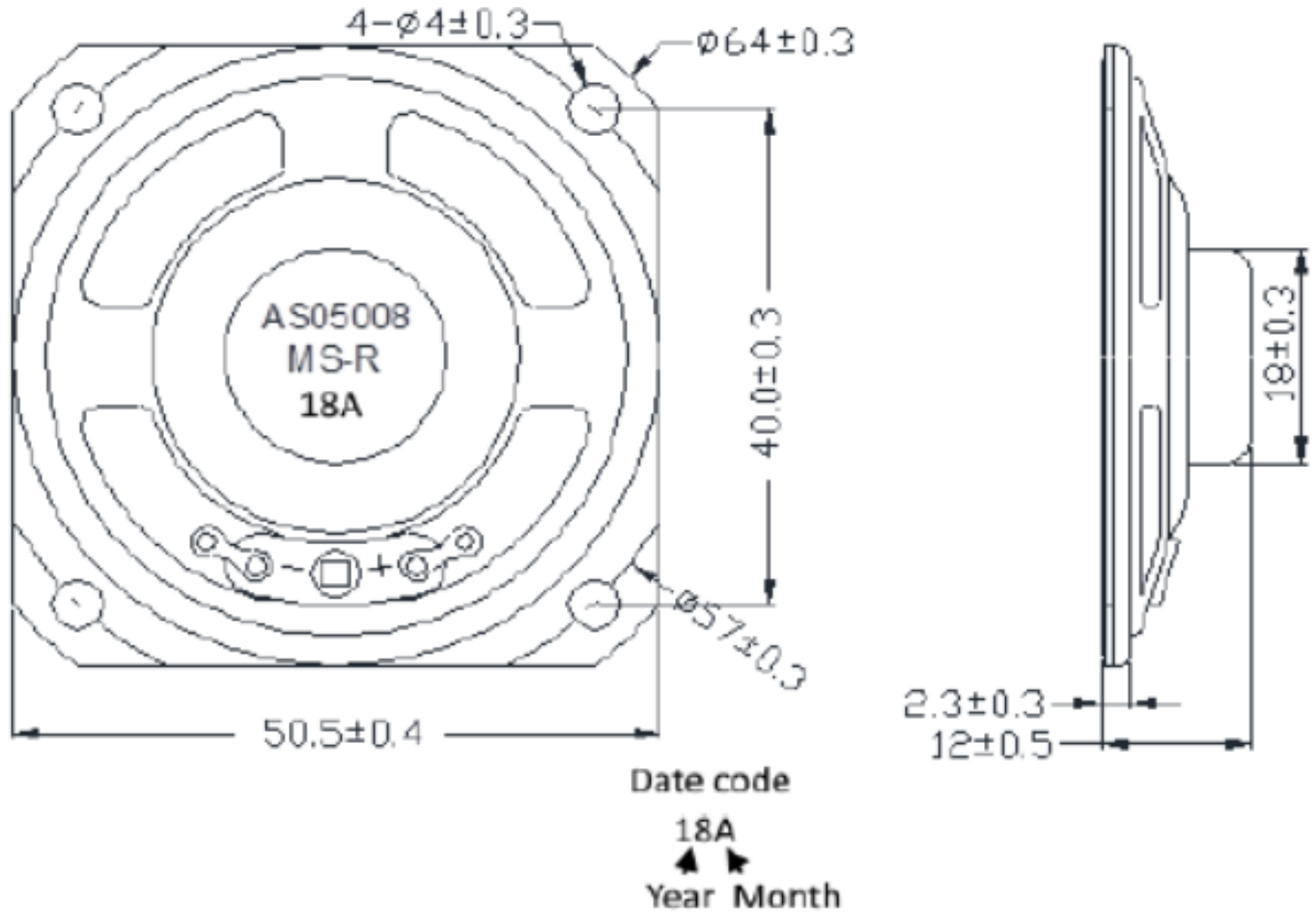
## Measurement Method



### Frequency Response (measured at 1M with 1.5W input power)

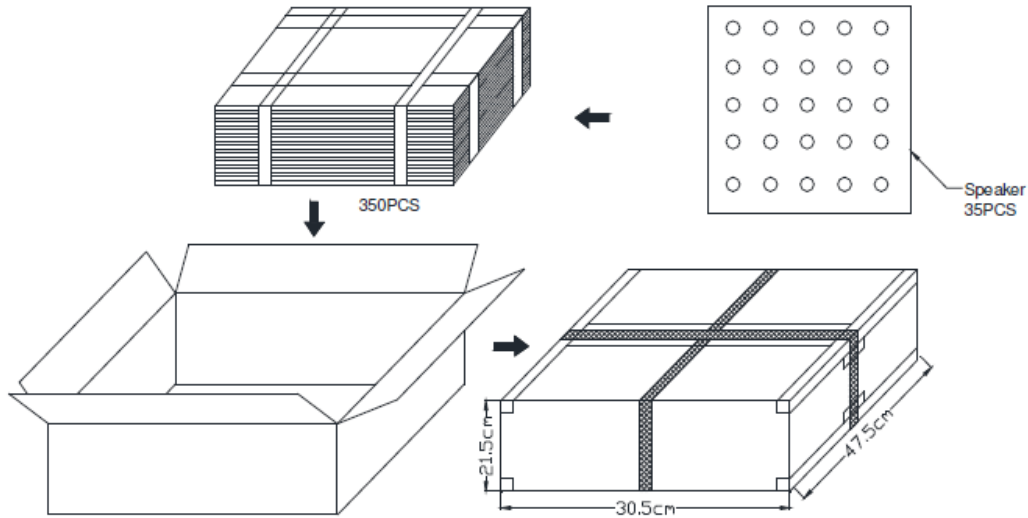


### Dimensions (Tolerance $\pm 0.5\text{mm}$ unless otherwise noted)



## Packaging

Speakers should be well packed.  
 The temperature should be as stable as possible and between -10° C and +40° C.  
 The relative humidity should be below 90%.  
 There should be no acid or other harmful gases in the surrounding air (GB/T 9397—200X)



### Remark:

35 pcs per tray  
 10 trays for unit, 1 units per carton  
 Total: 350 pcs per box  
 Size:47.5\*30.5\*21.5cm

### Specifications Revisions

Revision	Description	Date
-	Released from Engineering	10/10/2006
A	Revised to Inventor 3D Template	09/27/2007
B	Gasket material changed from rubber to ABS	06/27/2017
C	Revised speaker weight and operating temperature	10/30/2023

### Note:

- Unless otherwise specified:
  - All dimensions are in millimeters.
  - Default tolerances are  $\pm 0.5\text{mm}$  and angles are  $\pm 3^\circ$ .
- Specifications subject to change or withdrawal without notice.