



**pui**  
**audio**™ inc  
a projects unlimited company

## AI-1223-TWT-5V-2-R 12mm Indicator

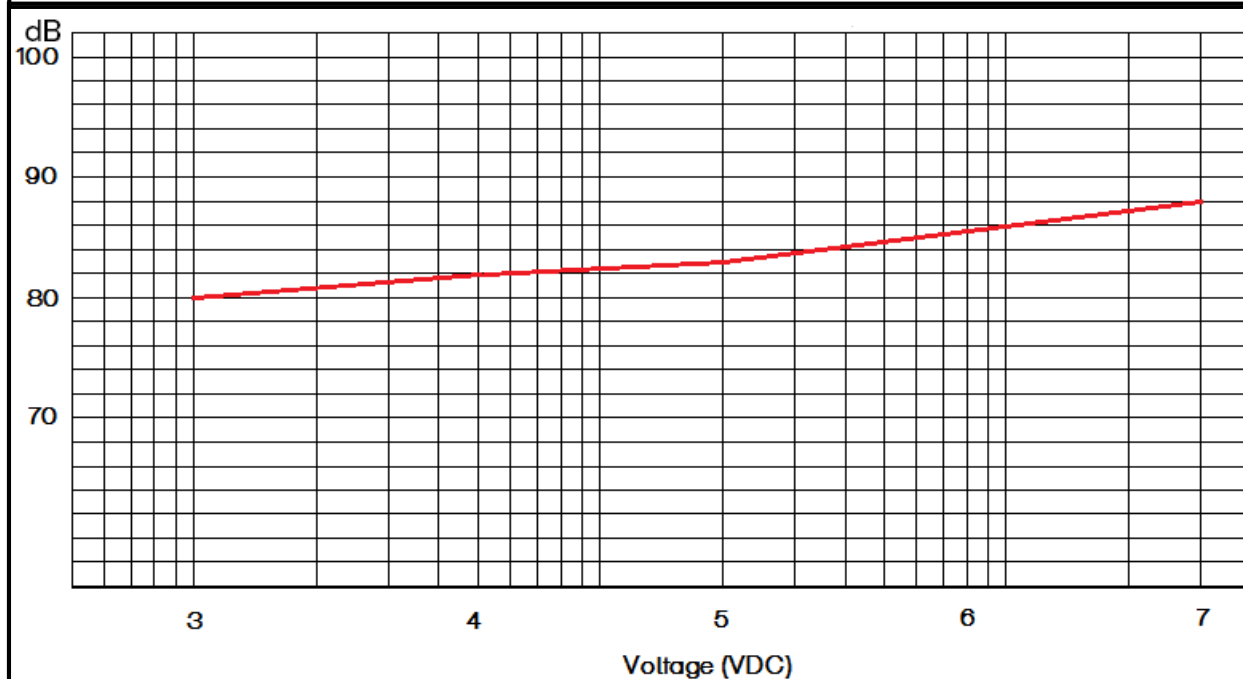
3541 Stop Eight Road • Dayton, Ohio 45414

### Product Overview

- 12mm diameter, 3-7 VDC self-drive indicator
- 85 dBA minimum output (5 VDC @ 10 cm) and 2,300 Hz continuous tone
- Noryl® housing withstands Wave soldering temperatures
- Removable wash tag preserves performance

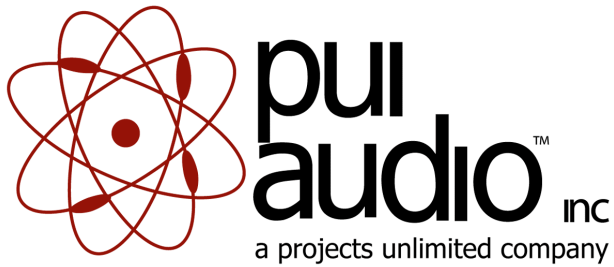


**SPL vs Voltage (measured @10 cm)**



RoHS Compliant

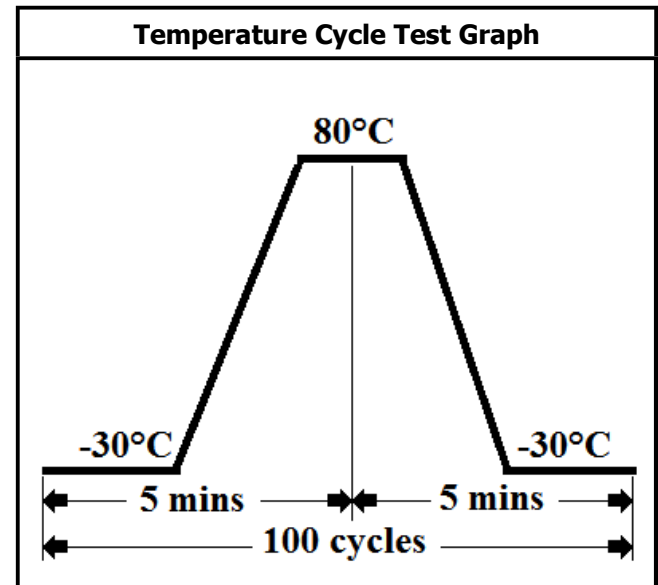
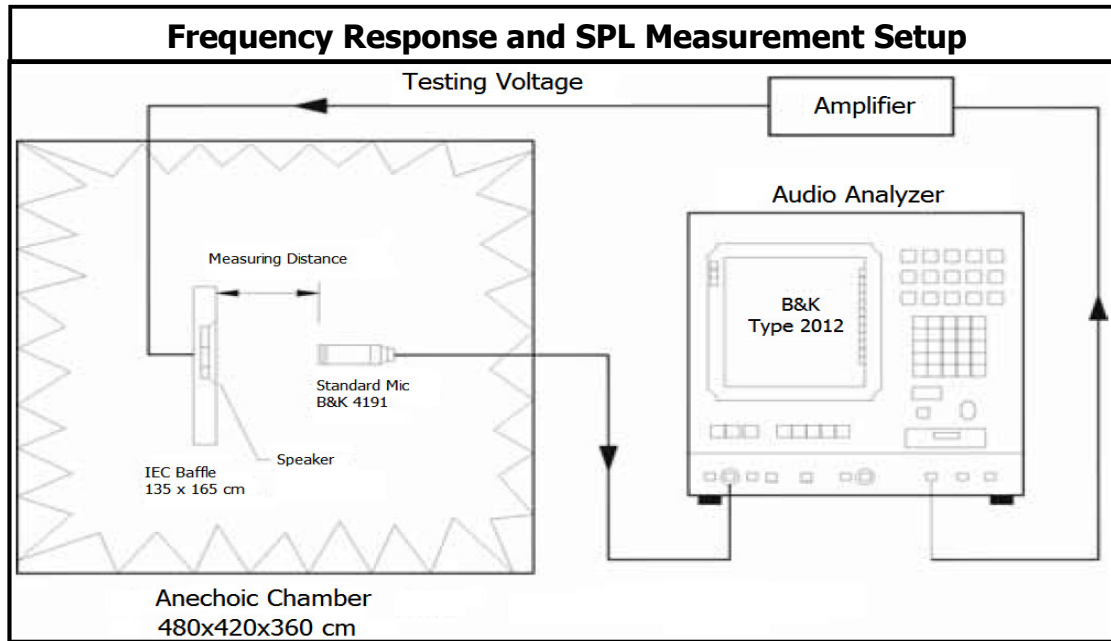
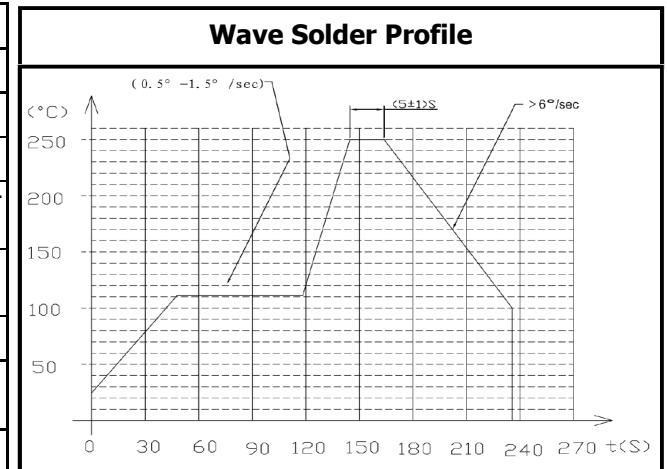




# AI-1223-TWT-5V-2-R 12mm Indicator

Mechanical and Environment Testing	
Test Description	Test Condition
High Temperature	80°C (±2°C) with random humidity for 96 hours
Low Temperature	-25°C (±2°C) with random humidity for 96 hours
Humidity	40°C (±2°C) with 90% to 95% relative humidity for 96 hours
Vibration	0.75 mm movement modulated at 10-55 Hz for 3 hours
Drop Test	100 cm free fall onto wood board, 10 cycles
Temperature Cycle Test	-30°C to 80°C, 100 cycles

After tests, part shall rest for 2 hours. Parts are then tested for clean, pure tones.



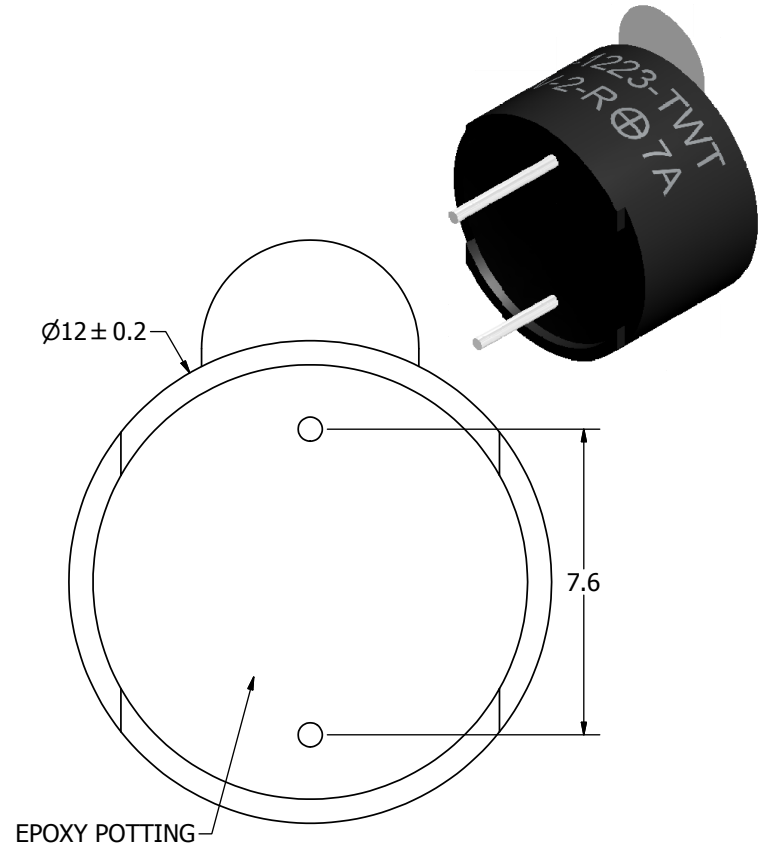
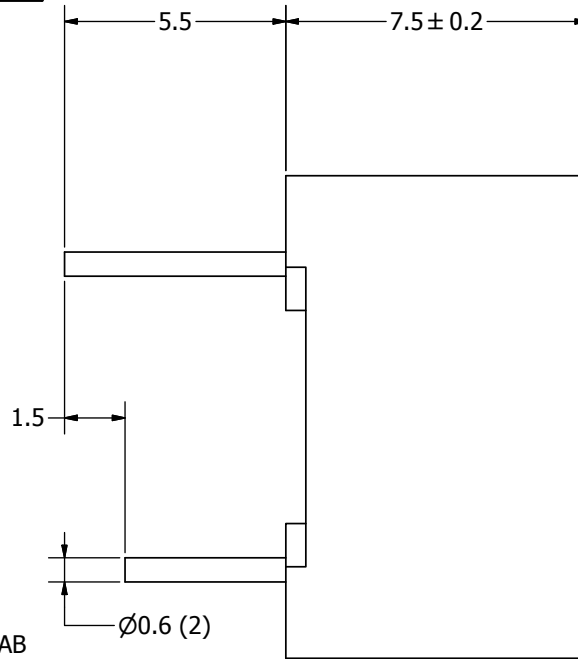
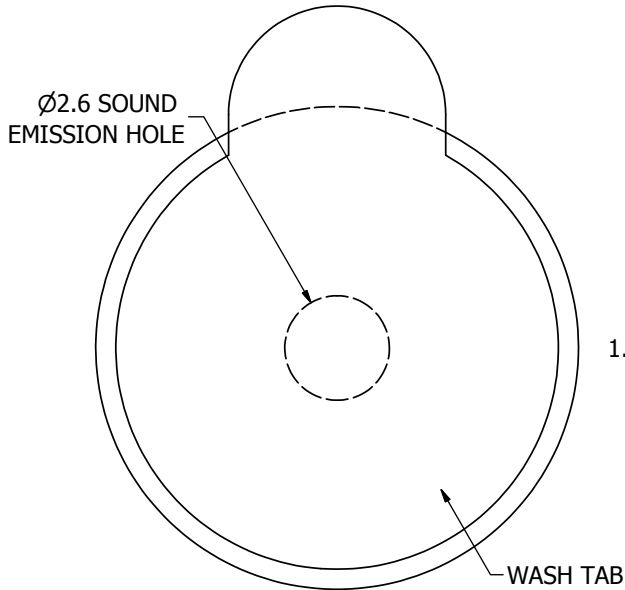
# SPECIFICATIONS

PARAMETERS	VALUES	UNITS
RATED VOLTAGE	5	Vdc
OPERATING VOLTAGE RANGE	3 ~ 7	Vdc
RATED CURRENT (MAX)	30	mA
MINIMUM SPL @ 10 CM	85	dB
RESONANT FREQUENCY	2,300 ± 400	Hz
TONE OR PULSE RATE	CONTINUOUS	0 pulse /sec
OPERATING TEMPERATURE	-25 ~ +70	°C
STORAGE TEMPERATURE	-30 ~ +80	°C
HOUSING MATERIAL	NORYL	-
TERMINAL MATERIAL	Sn PLATED COPPER	-
WEIGHT	2	grams

THIS DOCUMENT CONTAINS DATA PROPRIETARY TO PROJECTS UNLIMITED, INC. ANY USE OR REPRODUCTION, IN ANY FORM, WITHOUT PRIOR WRITTEN PERMISSION OF PROJECTS UNLIMITED, INC. IS PROHIBITED.  
©2003, Projects Unlimited Inc.

# REVISION HISTORY

LTR	DESCRIPTION	DATE	APPROVED
-	RELEASED FROM ENGINEERING	8/5/2005	
A	REVISED DIMENSION SIZE AND STYLE	11/28/2005	B.R.
B	REVISED TO INVENTOR 3-D DRAWING TEMPLATE	11/12/2007	B.R.



## NOTES:

1. ALL DIMENSIONS ARE IN MILLIMETERS.
2. SPECIFICATIONS SUBJECT TO CHANGE OR WITHDRAWAL WITHOUT NOTICE.
3. THIS PART IS RoHS 2002/95/EC COMPLIANT.

UNLESS OTHERWISE SPECIFIED: DIMENSIONS ARE IN MILLIMETERS, TOLERANCES ARE ±0.5 AND ANGLES ARE ±3°.	SIZE <b>A3</b>	Designed by	Date	Checked by	Date	Approved by	Date	Drawn Date
		J.A.F.	8/5/2005	B.R.	8/5/2005	E.P.	8/5/2005	11/12/2007
AI-1223-TWT-5V-2-R.idw		 <b>pui audio</b> a projects unlimited company				<b>AI-1223-TWT-5V-2-R</b> Indicator		
						Edition	Sheet	
						-	1 / 1	