



PUI audio



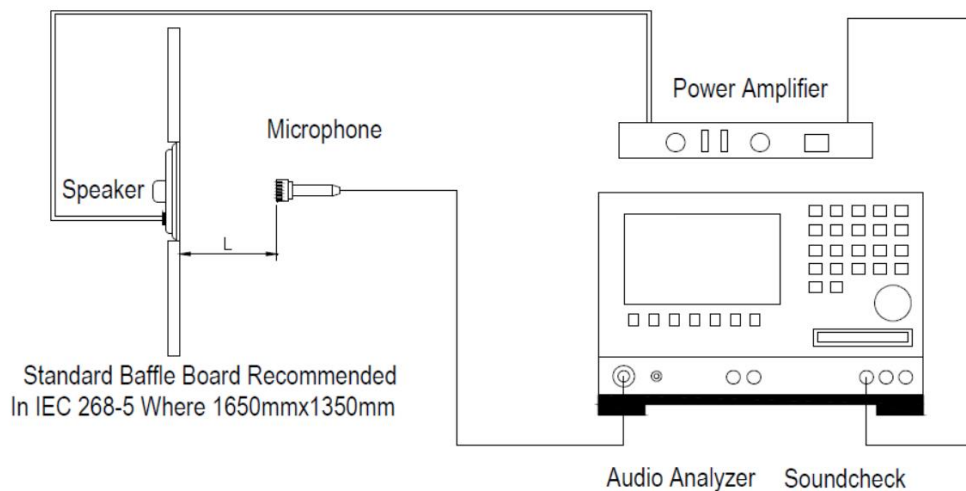
Data Sheet

AS02808MR-R

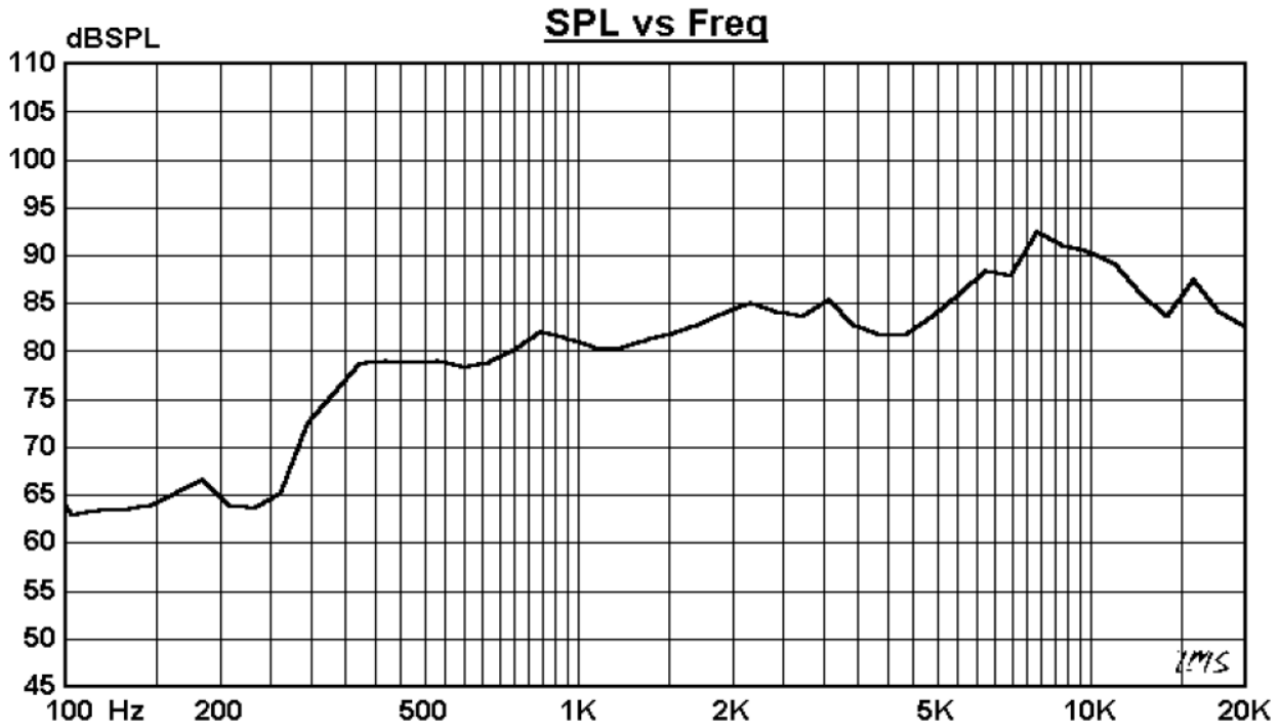
Specifications

Parameters	Values	Units
Rated Input Power	1.0	Watts
Max Input Power	1.5	Watts
Impedance	$8 \pm 15\%$	Ohms
Output SPL (Avg. @ 0.6, 0.8, 1.0, 1.2kHz; 1.0W/1M)	80 ± 3	dB
Resonant Frequency	$500 \pm 20\%$	Hz
Frequency Range	$F_o \sim 20,000$	Hz
THD	<5%	-
Diaphragm Material	Mylar	-
Magnet Material	NdFeB	-
Frame Material	Metal	-
Weight	6.5	Grams
Environmental Compliances	ROHS/REACH	-
Storage Temperature	-30 ~ 60	°C
Operating Temperature	-20 ~ 60	°C

Measurement Method (1W, L=100cm)



Typical Frequency Response (1W, 100cm)

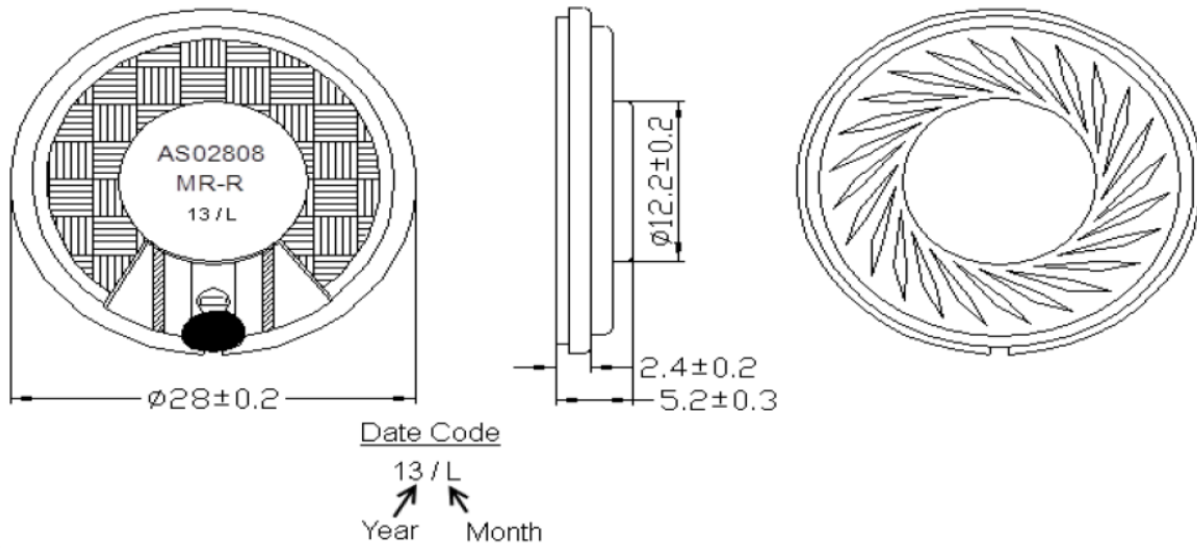


Reliability Testing

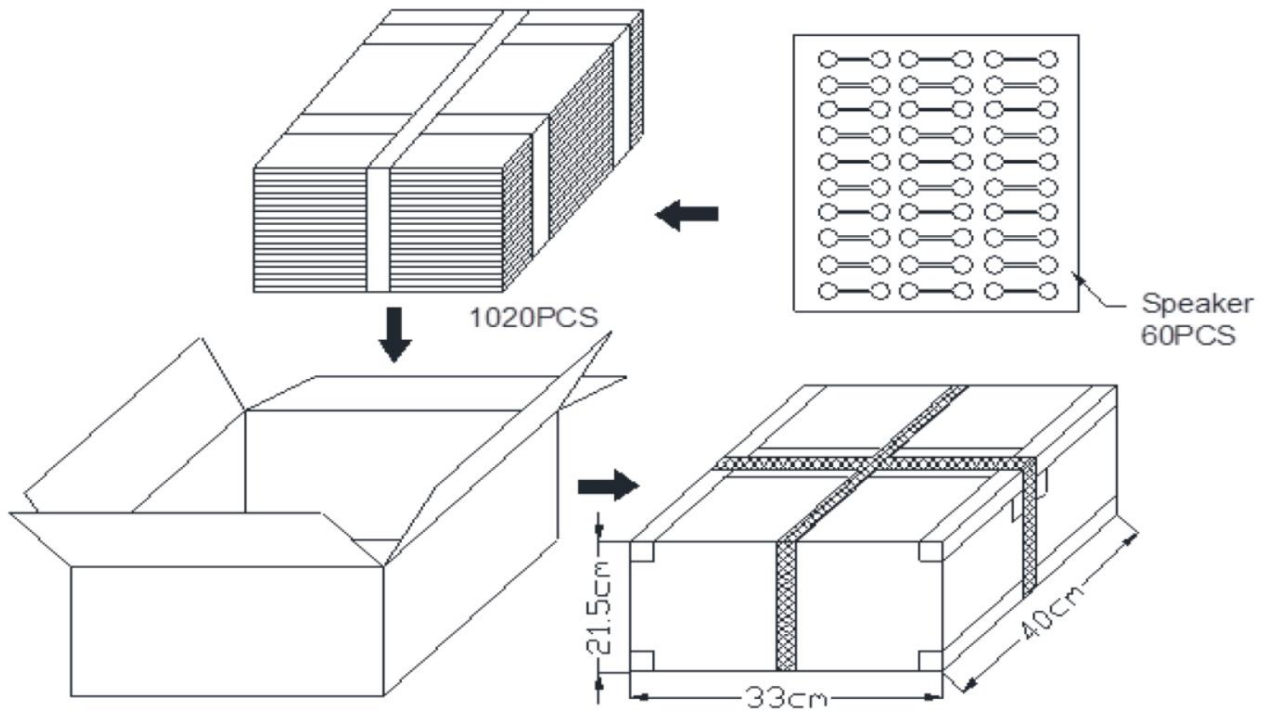
Type of Test	Test Specifications
High Temperature Test	96 hours at 60°C
Low Temperature Test	96 hours at -20°C
Humidity Test	96 hours at 30°C, 95% RH
Temperature Humidity Cycle Testing	Run for 5 cycles with each cycle consisting of: -20C for 1 hour, 60C for 1 hour
Vibration Test	10-55-10Hz Sine-Wave Sweep 15min. 5G (constant) X/Y/Z direction, 2 hours each, total 6 hours.
Life Test	White-Noise at rated power for 96 hours.
Drop Test	Free drop a unit from 100cm height to 220mm thick board in X/Y/Z direction 2 times each, total 6 times

After each test the part shall be within ±3dB of initial SPL.

Dimensions



Packaging



Specifications Revisions

Revision	Description	Date
-	Released from Engineering	2/16/2006
A	Revised Part Dimension	4/3/2007
B	Revised to Inventor 3D Template	11/13/2007
C	Revised Power Rating and Dimension	11/1/2013

Note:

1. Unless otherwise specified:
 - A. All dimensions are in millimeters.
 - B. Default tolerances are $\pm 0.5\text{mm}$ and angles are $\pm 3^\circ$.
2. Specifications subject to change or withdrawal without notice.