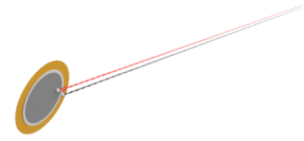




PUI audio

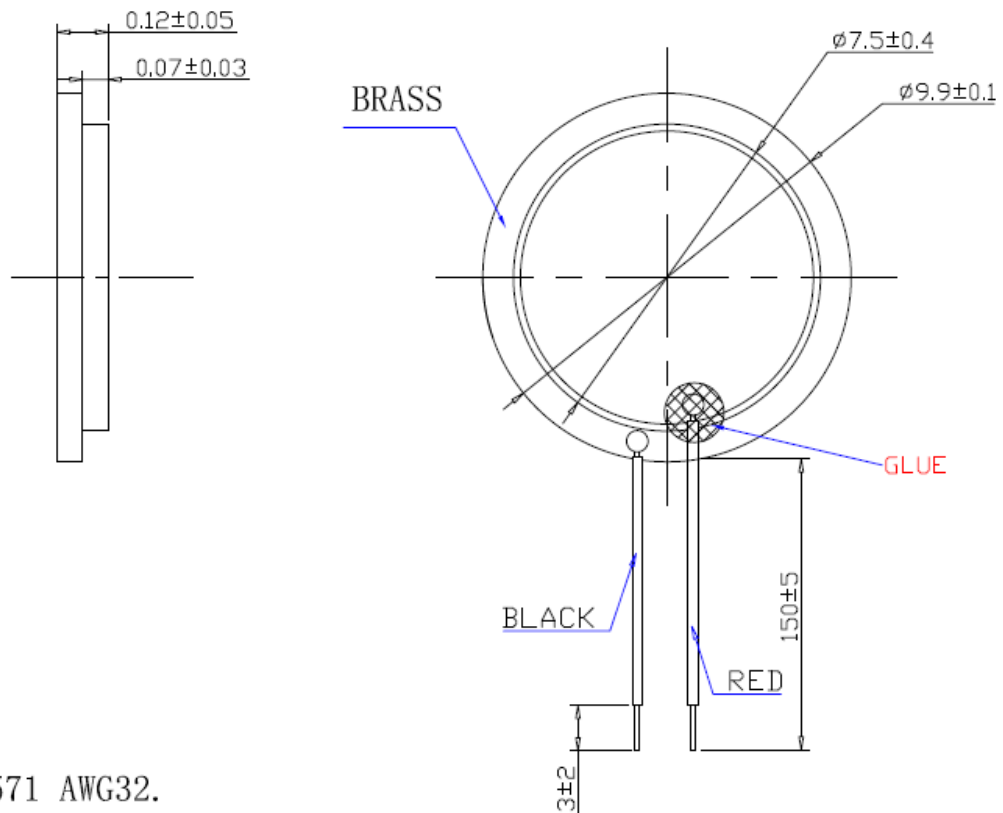


Data Sheet	AB1070B-LW150-R
------------	-----------------

Specifications

Parameters	Values	Units
Resonant Frequency	7,000±600	Hz
Resonant Impedance (Max)	1000	Ohms
Max Input Voltage	15	Vp-p
Capacitance (@ 1,000 Hz)	10,000±30%	pF
Plate Material	Brass	-
Storage Temperature	-20 ~ +80	°C
Operating Temperature	-20 ~ +80	°C
Environmental Compliances	RoHS/REACH	Exempt. 7c-1

Dimensions



LEADWIRE:UL1571 AWG32.

Packaging - 100pcs/Bag, 5k pcs/Carton

Specifications Revisions		
Revision	Description	Date
A	RELEASED FROM ENGINEERING	2/25/2009
B	Revised Ceramic Diameter to 7.5mm	9/30/2016

Note:

1. Unless otherwise specified:
 - A. All dimensions are in millimeters.
 - B. Default tolerances are $\pm 0.5\text{mm}$ and angles are $\pm 3^\circ$.
2. Specifications subject to change or withdrawal without notice.