

SPECIFICATIONS

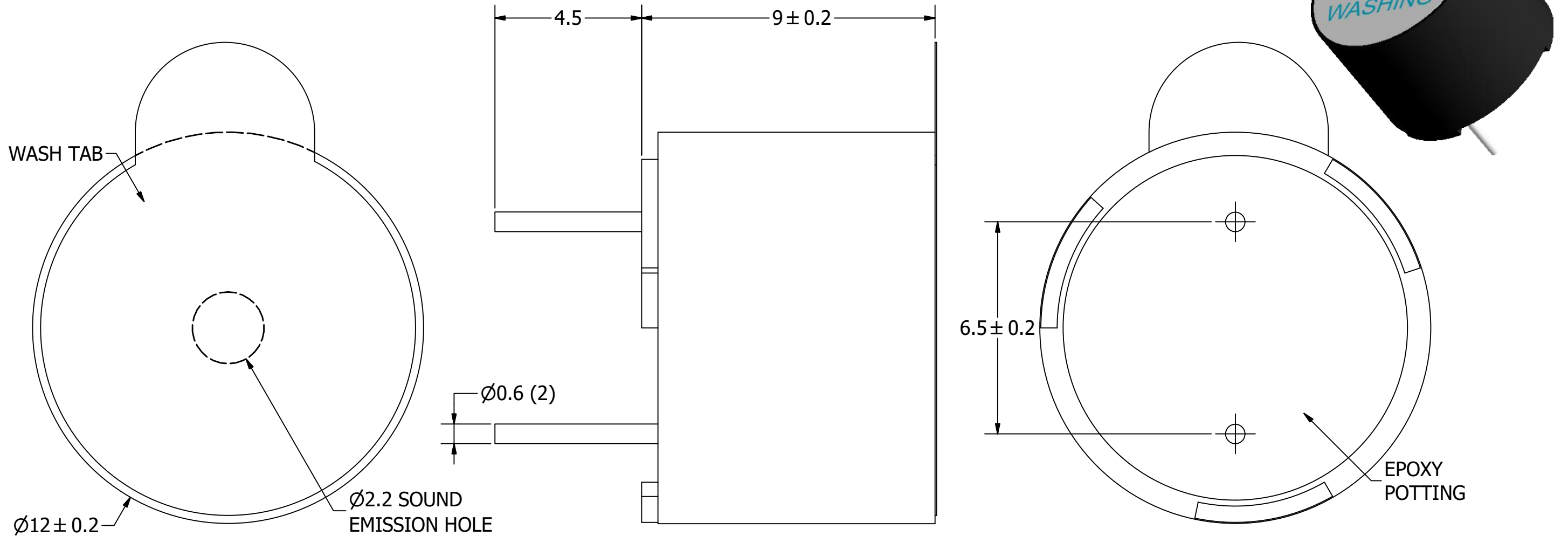
PARAMETERS	VALUES	UNITS
RATED VOLTAGE	12	Vpk
OPERATING VOLTAGE RANGE	6 ~ 16	Vpk
RATED CURRENT (MAX)	40	mA
COIL RESISTANCE	140 ± 14	OHM
MINIMUM SPL @ 10 CM	85	dBA
RESONANT FREQUENCY	2,400 ± 500	Hz
OPERATING TEMPERATURE	-30 ~ +80	°C
STORAGE TEMPERATURE	-40 ~ +85	°C
HOUSING MATERIAL	NORYL	-
TERMINAL MATERIAL	Sn PLATED COPPER	-
WEIGHT	2	grams

THIS DOCUMENT CONTAINS DATA PROPRIETARY TO PUI AUDIO, INC. ANY USE OR REPRODUCTION, IN ANY FORM, WITHOUT PRIOR WRITTEN PERMISSION OF PUI AUDIO, INC. IS PROHIBITED.

©2010, PUI AUDIO Inc.

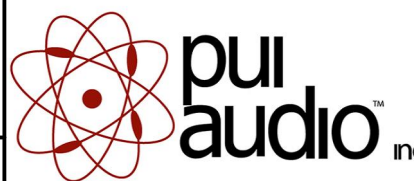
REVISION HISTORY

LTR	DESCRIPTION	DATE	APPROVED
-	RELEASED FROM ENGINEERING	5/17/2006	
A	REVISED BODY DIMENSION	5/25/2007	R.W.
B	REVISED TEMPERATURE	5/11/2010	B.R.
C	REVISED TO INVENTOR 3-D DRAWING TEMPLATE	5/27/2010	B.R.
D	CHANGE VOLTAGE FROM Vpp to Vpk, UPDATE ROHS	5/16/2019	M.L.
E	REVISED TEMPERATURES	2/19/2020	M.L.



NOTES:

1. ALL DIMENSIONS ARE IN MILLIMETERS.
2. SPECIFICATIONS SUBJECT TO CHANGE OR WITHDRAWL WITHOUT NOTICE.
3. THIS PART IS RoHS 2015/863/EU COMPLIANT.

UNLESS OTHERWISE SPECIFIED: DIMENSIONS ARE IN MILLIMETERS, TOLERANCES ARE ± 0.5 AND ANGLES ARE $\pm 3^\circ$.	SIZE A3	Designed by	Date	Checked by	Date	Approved by	Date	Drawn Date	
		J.D.	5/17/2006	E.P.	5/17/2006	B.R.	5/17/2006	5/27/2010	
AT-1224-TWT-12V-R.idw				AT-1224-TWT-12V-R Transducer (Electro-Mech)				Edition	Sheet
								-	1 / 1