



PUI audio



Data Sheet

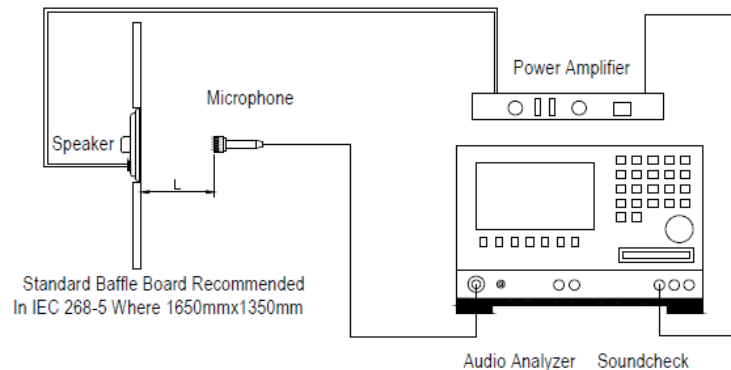
AS03808PR-R

Specifications

Parameters	Values	Units
Rated Input Power	0.1	Watts
Max Input Power	0.2	Watts
Impedance	$8 \pm 15\%$	Ohms
Sensitivity (Avg. 0.8, 1.0, 1.2, 1.5kHz @ 0.1W/0.1M)	92 ± 3	dBa
Distortion (Max @ 1.5W, 1 kHz)	<5%	-
Resonant Frequency	$850 \pm 20\%$	Hz
Frequency Range	Fo ~ 5,000	Hz
Housing Material	Metal	-
Diaphragm Material	Paper	-
Magnet Material	NdFeB	-
Weight	13	Grams
Ingress Protection Rating	-	-
Environmental Compliances	ROHS/REACH	-
Buzz, Rattle, etc.	Should not be audible with 0.894V sine wave from Fo-5kHz	
Polarity	When positive voltage is applied to the positive terminal, the diaphragm will move outward	
Operating Temperature	-20 ~ +60	°C
Storage Temperature	-30 ~ +70	°C

Measurement Method

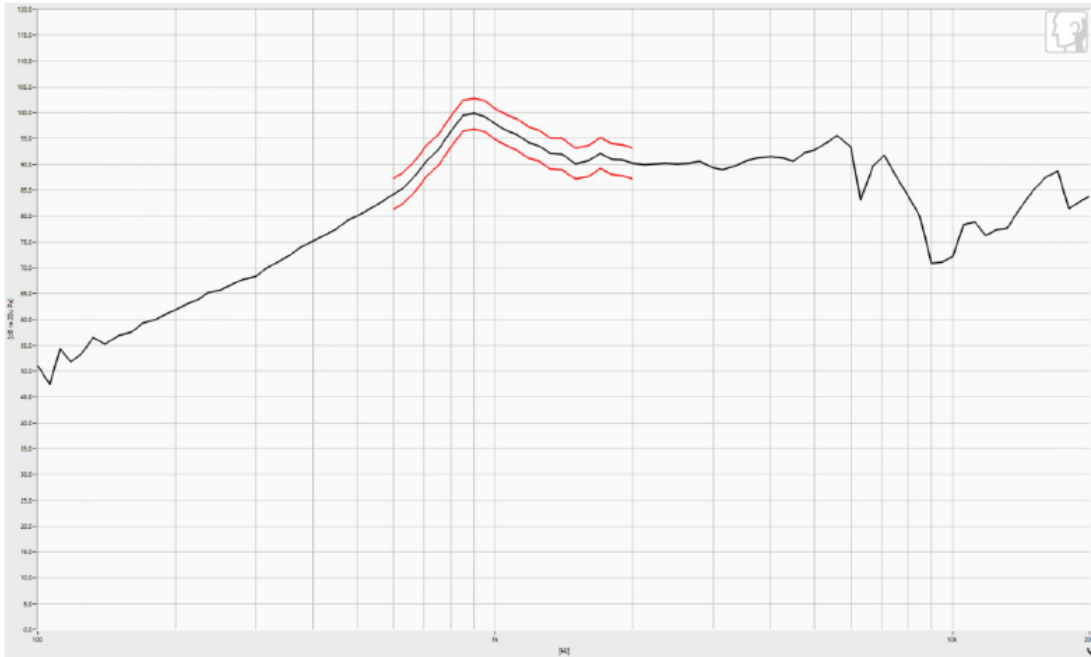
Standard test condition of speaker



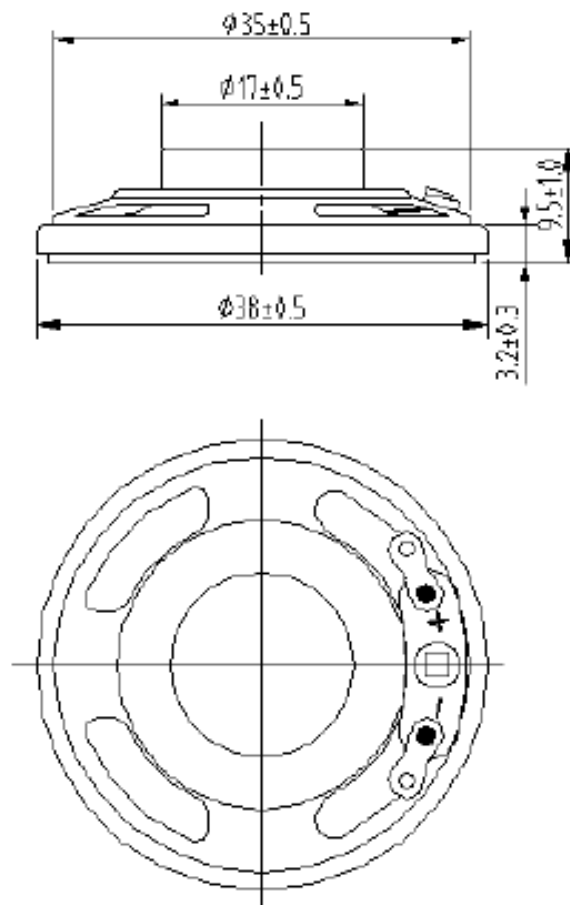
L=10cm

www.puiaudio.com

Frequency Response (measured at 0.1M with 0.1W input power)

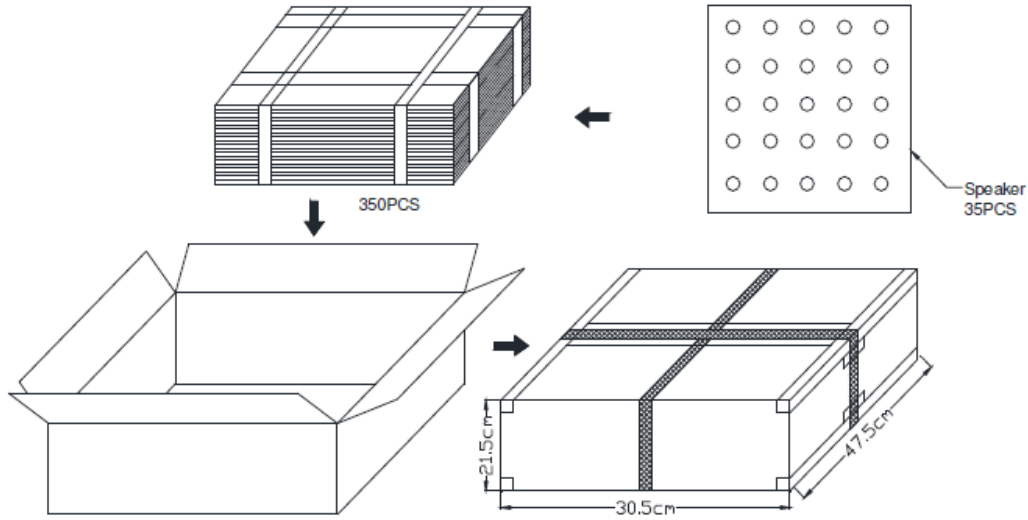


Dimensions (Tolerance ± 0.5 mm unless otherwise noted)



Packaging

Speakers should be well packed.
 The temperature should be as stable as possible and between -10° C and +40° C.
 The relative humidity should be below 90%.
 There should be no acid or other harmful gases in the surrounding air (GB/T 9397—200X)



Remark:

35 pcs per tray
 10 trays for unit, 1 units per carton
 Total: 350 pcs per box
 Size:47.5*30.5*21.5cm

Specifications Revisions

Revision	Description	Date	Approved
-	Released from Engineering	06/06/2006	
A	Revised to Inventor 3D Template	12/08/2008	B.R.
B	Revised Electrical Parameters	03/17/2017	M.L.
C	Revised SPL, Resonant Frequency, speaker height	04/08/2024	M.L.

Note:

- Unless otherwise specified:
 - All dimensions are in millimeters.
 - Default tolerances are $\pm 0.5\text{mm}$ and angles are $\pm 3^\circ$.
- Specifications subject to change or withdrawal without notice.