



# ER12-SD5E8

ER12

SAFETY COMMAND DEVICES

**SICK**  
Sensor Intelligence.



## Ordering information

Type	Part no.
ER12-SD5E8	6051321

Product consists of UL certified components (ER12-H28 (a) und ER12-A3). See UL certificate number: E363214 and E198242

Other models and accessories → [www.sick.com/ER12](http://www.sick.com/ER12)

## Detailed technical data

### Features

Number of N/O contacts	2
Pushbuttons (illuminable)	✓
Actuation directions	1
Dimensions (W x H x D)	40 mm x 123 mm x 36 mm
Items supplied	Including brackets, 6 cover caps (blue, black, green, yellow, 2x transparent) and 8 labeled uses (START, RESET, ON, LOCK, UNLOCK, RESET/OVERRIDE, OVERRIDE, TEACH)

### Safety-related parameters

B <sub>10d</sub> parameter	1 x 10 <sup>6</sup> switching cycles
----------------------------	--------------------------------------

### Functions

Safe series connection	None, only individual wiring (with diagnostics)
------------------------	---

### Interfaces

Connection type	Plug connector, M12, 8-pin
Coupling nut material	PBT

### Electrical data

#### Operating data

Protection class	III (EN 61140)
Switching principle	Slow action switching element
Number of N/O contacts	2
Power consumption	≤ 250 W
Rated operating current (voltage)	5 mA ... 100 mA (5 V ... 30 V)
Contact material	AgNi, 5 µm gold plated
Electrical life	
Reset pushbutton	1 x 10 <sup>6</sup> switching cycles

### Illumination

Supply voltage V <sub>s</sub>	30 V AC/DC
-------------------------------	------------

<b>Power consumption</b>	14 mA (24 V DC)
--------------------------	-----------------

#### Mechanical data

<b>Dimensions</b>	40 mm x 123 mm x 36 mm
<b>Weight</b>	116 g
<b>Housing material</b>	PBT
<b>Mechanical life</b>	
Reset pushbutton	1 x 10 <sup>6</sup> switching cycles

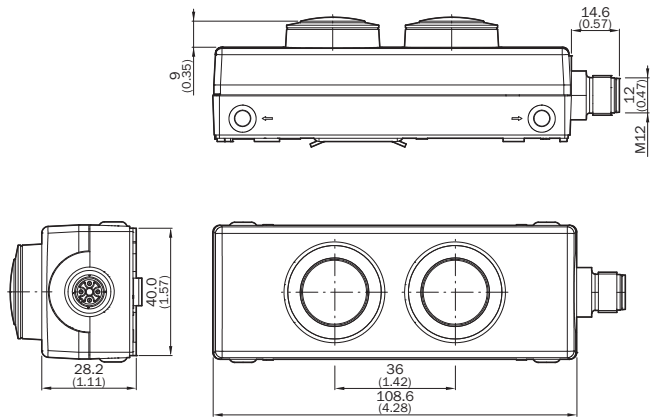
#### Ambient data

<b>Enclosure rating</b>	IP65 (EN 60529)
<b>Ambient operating temperature</b>	-25 °C ... +70 °C
<b>Storage temperature</b>	-25 °C ... +80 °C

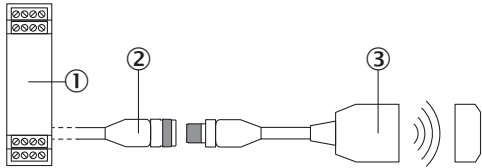
#### Classifications

<b>eCl@ss 5.0</b>	27379090
<b>eCl@ss 5.1.4</b>	27371246
<b>eCl@ss 6.0</b>	27371246
<b>eCl@ss 6.2</b>	27371246
<b>eCl@ss 7.0</b>	27371246
<b>eCl@ss 8.0</b>	27371246
<b>eCl@ss 8.1</b>	27371246
<b>eCl@ss 9.0</b>	27371246
<b>eCl@ss 10.0</b>	27371246
<b>eCl@ss 11.0</b>	27371246
<b>eCl@ss 12.0</b>	27371246
<b>ETIM 5.0</b>	EC000029
<b>ETIM 6.0</b>	EC000029
<b>ETIM 7.0</b>	EC000029
<b>ETIM 8.0</b>	EC000029
<b>UNSPSC 16.0901</b>	39122216

**Dimensional drawing** (Dimensions in mm (inch))

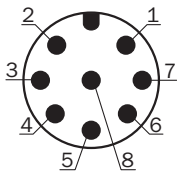


**Connection single sensor**



- ① Safe evaluation unit
- ② Connecting cable with M12 female connector, 8-pin and flying leads (e.g. YF2A18-xxxUA5LEAX)
- ③ ER12-SD5E8 dual pushbutton

**Pin assignment**



Pin	Description
1/2	Normally open pushbutton 1
3	Lamp pushbutton 1 (X1+)
4	Lamp pushbutton 1 (X2-)
5/6	Normally open pushbutton 2
7	Lamp pushbutton 2 (X1+)
8	Lamp pushbutton 2 (X2-)

For details see operating instructions

## Recommended accessories

Other models and accessories → [www.sick.com/ER12](http://www.sick.com/ER12)

	Brief description	Type	Part no.
Plug connectors and cables			
	Head A: female connector, M12, 8-pin, straight, A-coded Head B: Flying leads Cable: Sensor/actuator cable, PUR, halogen-free, unshielded, 5 m	YF2A18-050UA5XLEAX	2095653
	Head A: female connector, M12, 8-pin, straight, A-coded Head B: Flying leads Cable: Sensor/actuator cable, PUR, halogen-free, unshielded, 10 m	YF2A18-100UA5XLEAX	2095654
	Head A: female connector, M12, 8-pin, straight, A-coded Head B: Flying leads Cable: Sensor/actuator cable, PUR, halogen-free, unshielded, 15 m	YF2A18-150UA5XLEAX	2095679

## SICK AT A GLANCE

SICK is one of the leading manufacturers of intelligent sensors and sensor solutions for industrial applications. A unique range of products and services creates the perfect basis for controlling processes securely and efficiently, protecting individuals from accidents and preventing damage to the environment.

We have extensive experience in a wide range of industries and understand their processes and requirements. With intelligent sensors, we can deliver exactly what our customers need. In application centers in Europe, Asia and North America, system solutions are tested and optimized in accordance with customer specifications. All this makes us a reliable supplier and development partner.

Comprehensive services complete our offering: SICK LifeTime Services provide support throughout the machine life cycle and ensure safety and productivity.

For us, that is “Sensor Intelligence.”

## WORLDWIDE PRESENCE:

Contacts and other locations –[www.sick.com](http://www.sick.com)