



ES11-SC4D8

ES11

SAFETY COMMAND DEVICES

SICK
Sensor Intelligence.



Ordering information

Type	Part no.
ES11-SC4D8	6051329

Other models and accessories → www.sick.com/ES11

Detailed technical data

Features

Number of positive action N/C contacts	2
Number of N/O contacts	1
Reset pushbutton (illuminable)	✓
Actuation directions	1
Dimensions (W x H x D)	40 mm x 123 mm x 52 mm
Items supplied	Including retaining clip and "RESET" cover

Safety-related parameters

B_{10d} parameter	2.5 x 10 ⁵ switching cycles
----------------------------------	--

Functions

Safe series connection	With Flexi Loop (with diagnostics)
-------------------------------	------------------------------------

Interfaces

Connection type	Plug connector, M12, 8-pin
Coupling nut material	PBT

Electrical data

Operating data

Protection class	III (EN 50178)
Switching principle	Slow action switching element
Number of positive action N/C contacts	2
Number of N/O contacts	1
Switching current	1 mA ... 100 mA
Switching capacity	≤ 250 mW
Switching voltage	1 V DC ... 30 V DC
Contact material	AgNi, 5 µm gold plated

Electrical life	
Emergency stop pushbuttons	5 x 10 ⁴ switching cycles
Reset pushbutton	1 x 10 ⁵ switching cycles

Illumination

Supply voltage V_s	30 V AC/DC
Power consumption	14 mA (24 V DC)

Mechanical data

Dimensions	40 mm x 123 mm x 52 mm
Weight	+ 121 g
Housing material	PBT
Mechanical life	
Emergency stop pushbuttons	5 x 10 ⁴ switching cycles
Reset pushbutton	1 x 10 ⁵ switching cycles

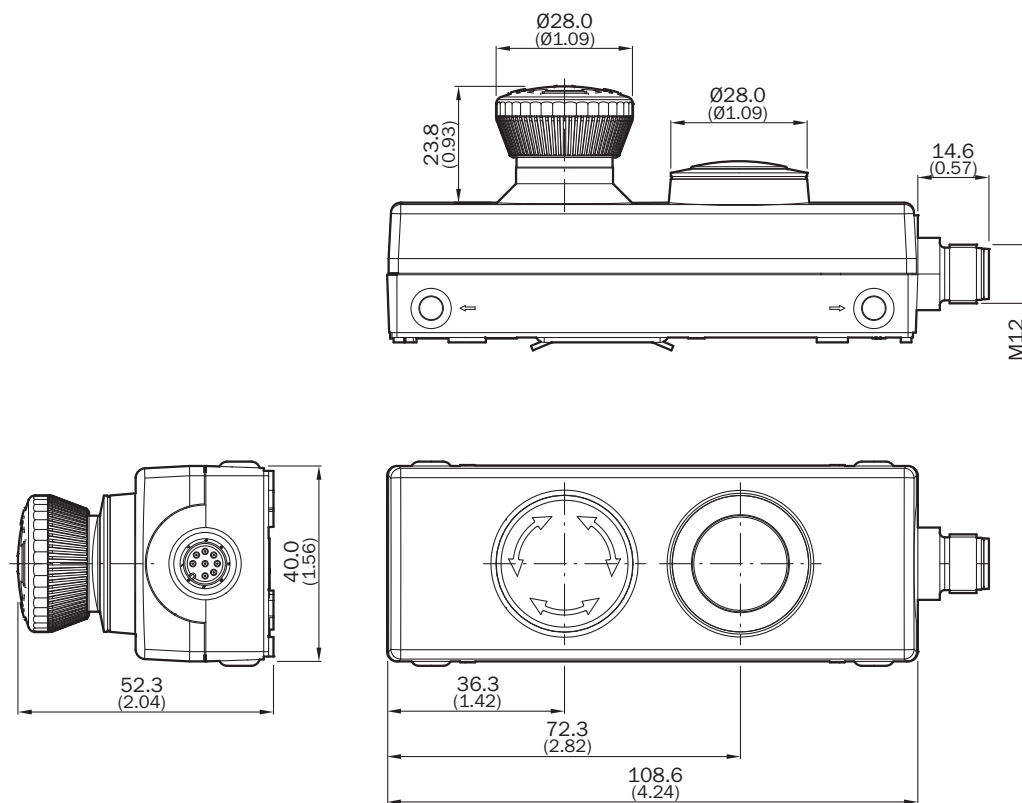
Ambient data

Enclosure rating	IP65 (EN 60529)
Ambient operating temperature	-25 °C ... +70 °C
Storage temperature	-25 °C ... +80 °C

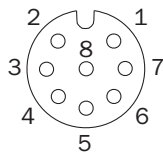
Classifications

eCl@ss 5.0	27371228
eCl@ss 5.1.4	27371228
eCl@ss 6.0	27371244
eCl@ss 6.2	27371244
eCl@ss 7.0	27371244
eCl@ss 8.0	27371244
eCl@ss 8.1	27371244
eCl@ss 9.0	27371244
eCl@ss 10.0	27371244
eCl@ss 11.0	27371244
eCl@ss 12.0	27371244
ETIM 5.0	EC002034
ETIM 6.0	EC002034
ETIM 7.0	EC002034
ETIM 8.0	EC002034
UNSPSC 16.0901	39121545

Dimensional drawing (Dimensions in mm (inch))

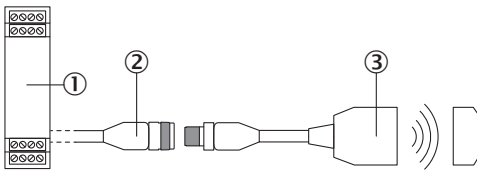


Pin assignment



3	N/C contact
4	N/C contact
7	N/C contact
8	N/C contact
5	LED + (reset)
6	LED - (reset)
1	N/O contact (reset)
2	N/O contact (reset)

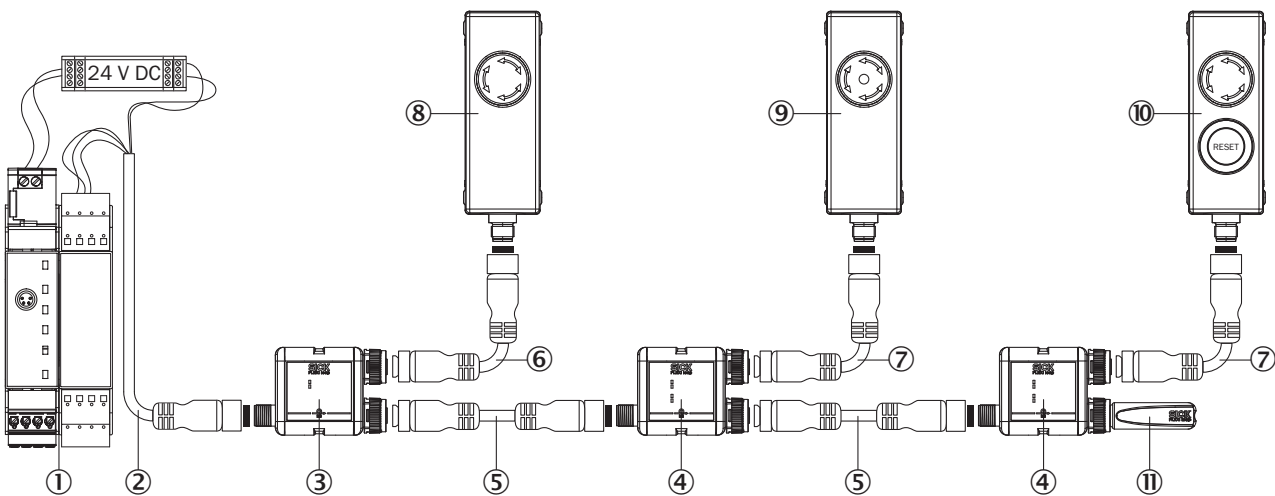
Connection single sensor



- ① Safe evaluation unit
- ② Connecting cable with M12 female connector, 8-pin and flying leads (e.g. YF2A18-xxxUA5LEAX)
- ③ ES11-Sxxx8 emergency stop pushbutton

Series connection

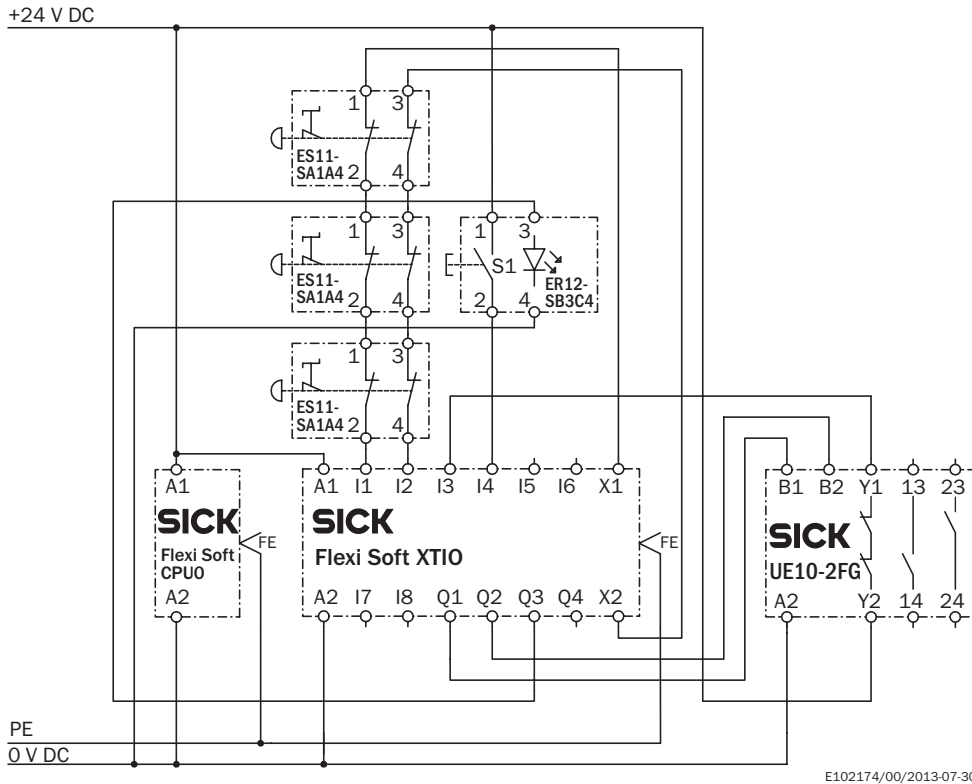
Series connection with Flexi Loop (with diagnostics)



- ① Flexi Soft safety controller
- ② Connecting cable with M12 female connector, 5-pin and flying leads (e.g., YF2A15-xxxVB5XLEAX)
- ③ FLN-EMSS0000105 Flexi Loop node
- ④ FLN-EMSS1100108 Flexi Loop node
- ⑤ Connection cable with 5-pin, M12 male connector and 5-pin, M12 female connector (e.g., YF2A15-xxxUB5M2A15)
- ⑥ Connection cable with 4-pin, M12 male connector and 4-pin, M12 female connector (e.g., YF2A14-xxxVB3M2A14)
- ⑦ Connection cable with 8-pin, M12 male connector and 8-pin, M12 female connector (e.g., YF2A18-xxxUA5M2A18)
- ⑧ ES11-SA1A4 emergency stop pushbutton
- ⑨ ES11-SA2B8 emergency stop pushbutton
- ⑩ ES11-SC4D8 emergency stop pushbutton
- ⑪ FLT-TERM00001 Flexi Loop terminating element

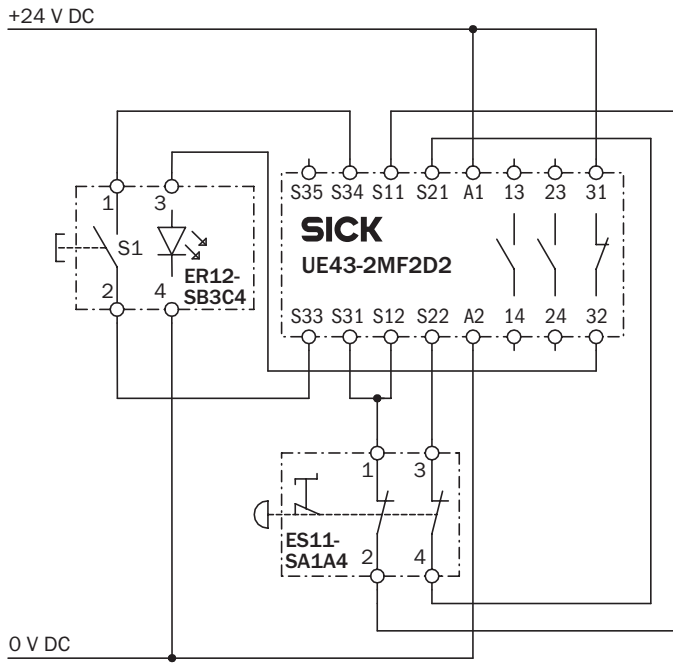
Connection diagram

ER12 reset pushbutton and series connection of three ES11 emergency stop pushbutton to a Flexi Soft safety controller



E102174/00/2013-07-30


ER12 reset pushbutton and ES11 emergency stop pushbutton to UE43 safety relay



E102175/00/2013-07-30

Recommended accessories

Other models and accessories → www.sick.com/ES11

	Brief description	Type	Part no.
Plug connectors and cables			
	Head A: female connector, M12, 8-pin, straight, A-coded Head B: Flying leads Cable: Sensor/actuator cable, PUR, halogen-free, unshielded, 5 m	YF2A18-050UA5XLEAX	2095653
	Head A: female connector, M12, 8-pin, straight, A-coded Head B: Flying leads Cable: Sensor/actuator cable, PUR, halogen-free, unshielded, 10 m	YF2A18-100UA5XLEAX	2095654
	Head A: female connector, M12, 8-pin, straight, A-coded Head B: Flying leads Cable: Sensor/actuator cable, PUR, halogen-free, unshielded, 15 m	YF2A18-150UA5XLEAX	2095679

SICK AT A GLANCE

SICK is one of the leading manufacturers of intelligent sensors and sensor solutions for industrial applications. A unique range of products and services creates the perfect basis for controlling processes securely and efficiently, protecting individuals from accidents and preventing damage to the environment.

We have extensive experience in a wide range of industries and understand their processes and requirements. With intelligent sensors, we can deliver exactly what our customers need. In application centers in Europe, Asia and North America, system solutions are tested and optimized in accordance with customer specifications. All this makes us a reliable supplier and development partner.

Comprehensive services complete our offering: SICK LifeTime Services provide support throughout the machine life cycle and ensure safety and productivity.

For us, that is “Sensor Intelligence.”

WORLDWIDE PRESENCE:

Contacts and other locations –www.sick.com