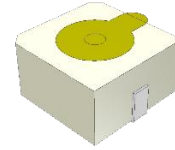




PUIaudio



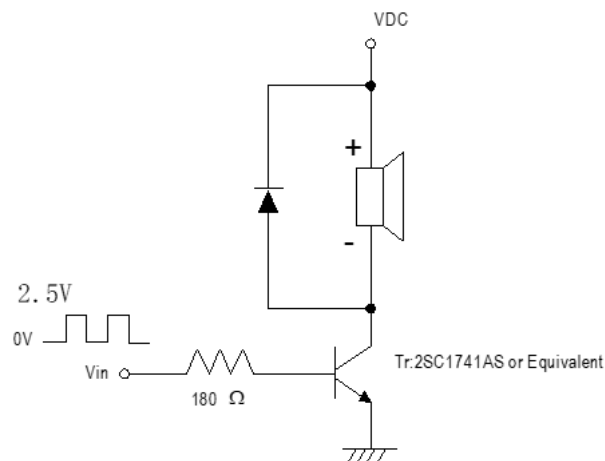
Data Sheet

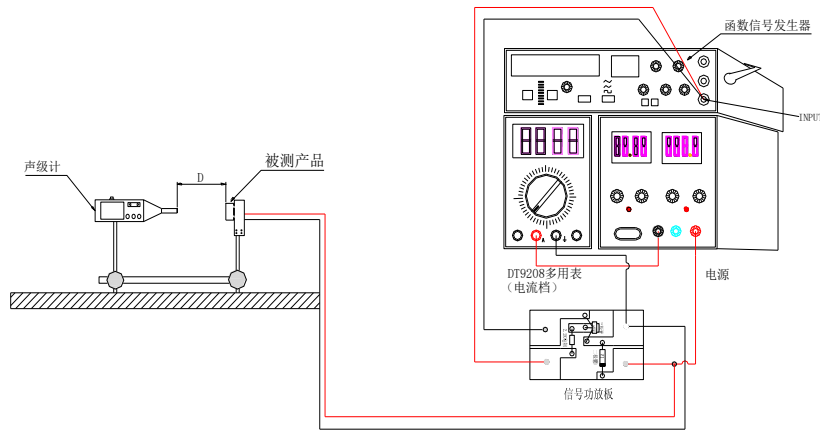
SMT-1324-TW-1V-R

Specifications

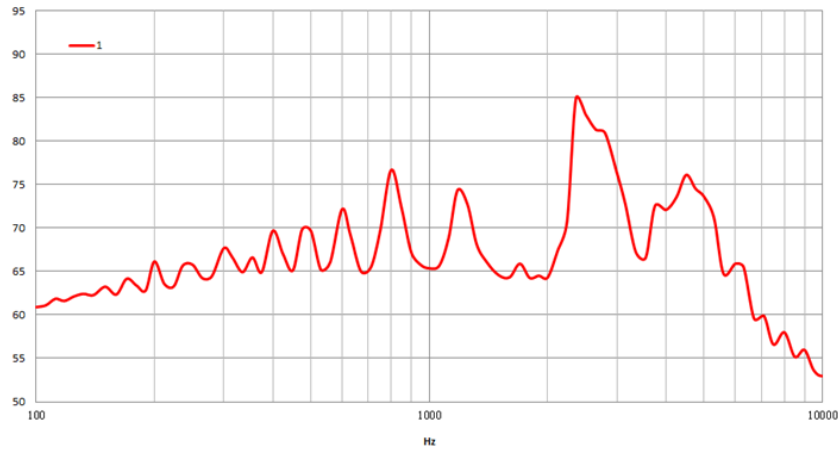
Parameters	Values	Units
Rated Voltage	1.5	V0-p
Operating Voltage Range	1 ~ 3	V0-p
Current Draw at Rated Voltage	30 max.	mA
Coil Resistance	15±3	Ohms
Minimum SPL @ 10cm	80	dBA
Resonant Frequency	2400±500	Hz
Housing Material	Noryl PA46	-
Terminal Material	Tin plated Brass	-
Weight	5	Grams
Acceptable Soldering Methods	Hand Solder, Reflow Solder	See following information
Environmental Compliances	RoHS/REACH	-
Storage Temperature	-40 ~ 85	°C
Operating Temperature	-30 ~ 70	°C

Measurement Method (1.5V0-p, 2400Hz, 50% duty cycle square wave with a SPL meter at 10cm)

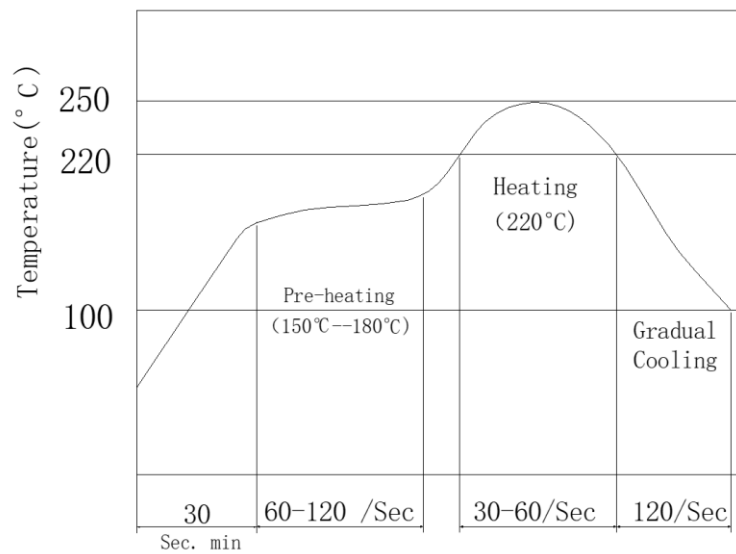




Typical Frequency Response (1.5 V0-p square-sweep with microphone spaced at 10cm)

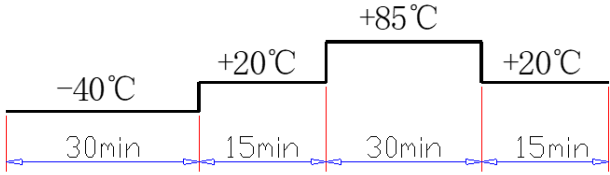
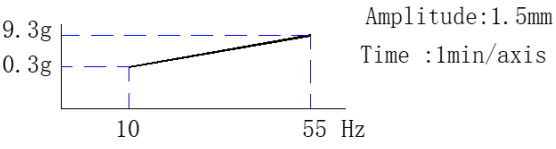


Recommended Soldering Procedure



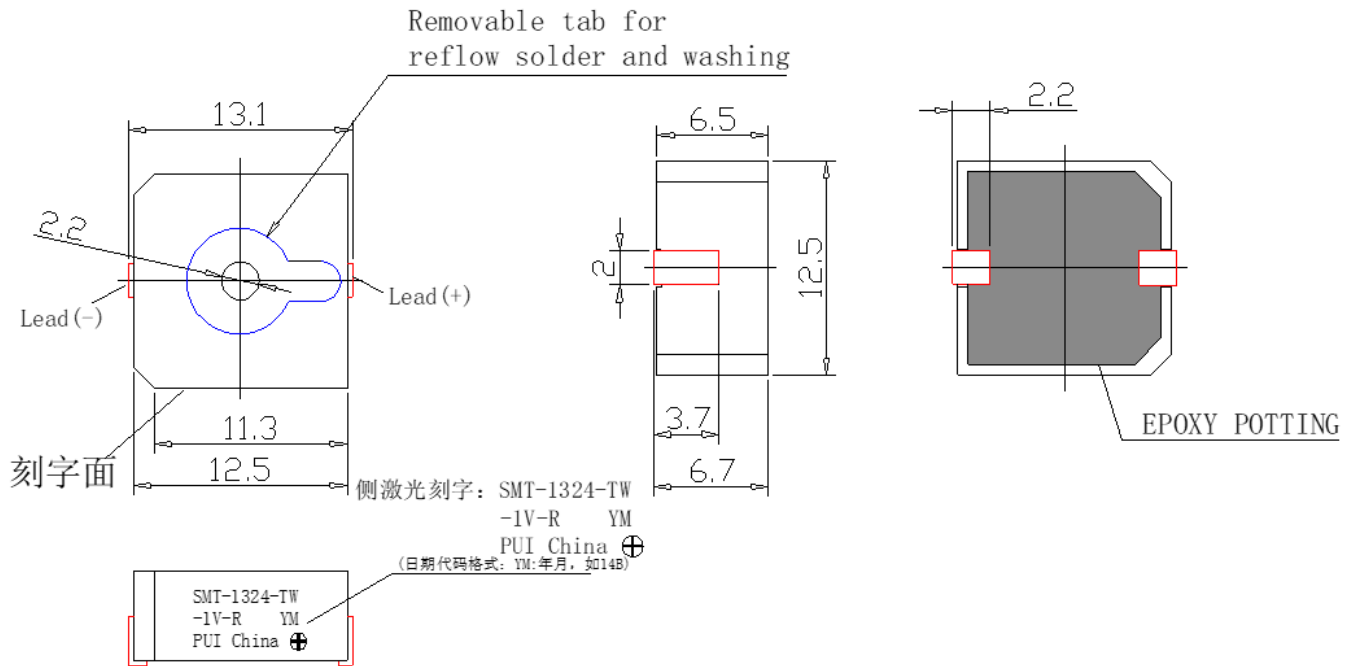
***Manual soldering using iron temp of 350C and solder time of 2-3 seconds per terminal max.**

Reliability Testing

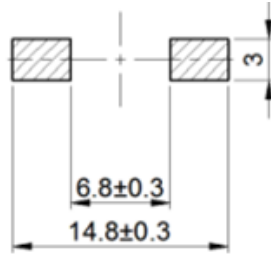
Type of Test	Test Specifications
High Temperature Test	Place in storage at +85°C for 96 hours. Expose to room temperature for 2 hours after.
Low Temperature Test	Place in storage at -40°C for 96 hours. Expose to room temperature for 2 hours after.
Humidity Test	Place in storage 40±2°C, 90~95% RH, 96hours. Expose to room temperature for 2 hours after.
Temperature Cycle Testing	Total 5 cycles of; 
Vibration Test	 Apply test in each X,Y,Z direction, 2 times each (total 6 times)
Drop Test	Dropped from a height of 100cm onto the surface of a 10mm thick wooden board, three directions (X,Y,Z)

2 hours after the test the part shall meet specifications without any degradation in appearance and performance except SPL shall be within ±5dB of the initial value.

Dimensions (Tolerance: ±0.5mm unless specified)



Suggested Land Pattern*



*This land pattern is advisory only and its use or adaptation is entirely voluntary.

PUI Audio disclaims all liability of any kind associated with the use, application, or adaptation of this land pattern.

Packaging

50pcs per stick

1000pcs bundle

5000pcs MTR Carton

Specifications Revisions

Revision	Description	Date
-	Released from Engineering	02/21/2006
A	Revised to inventor 3D Template	06/02/2010
B	Revised Temperature Ranges	03/02/2020
C	Revised Storage Temperature	11/02/2023

Note:

- Unless otherwise specified:
 - All dimensions are in millimeters.
 - Default tolerances are ± 0.5 mm and angles are $\pm 3^\circ$.
- Specifications subject to change or withdrawal without notice.