



PUI audio



Data Sheet

AI-2304-TF-LW147-12V

Features:

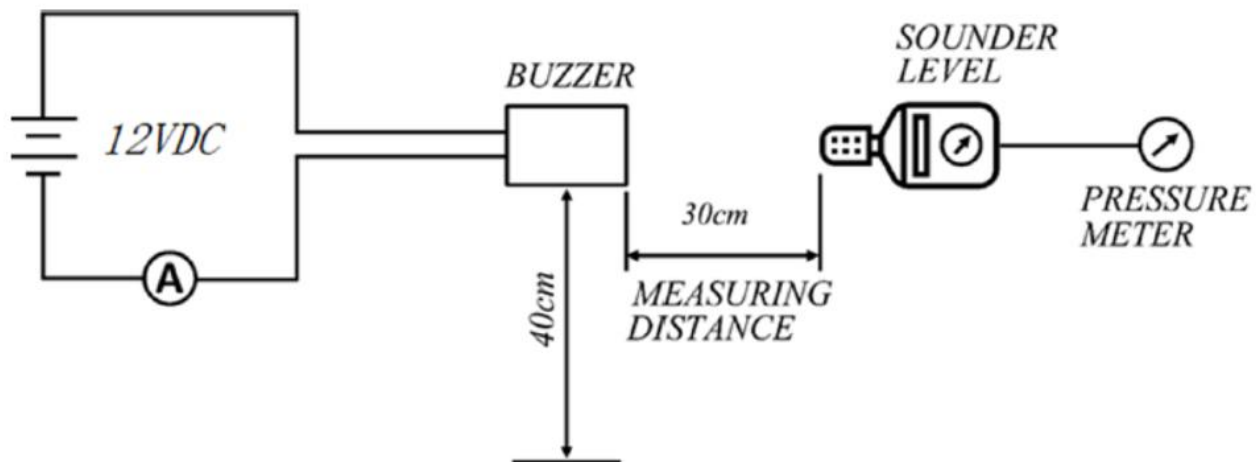
- Top-firing, flange-mount magnetic indicator
- 12V_{DC}, 400 Hz resonant frequency

Specifications

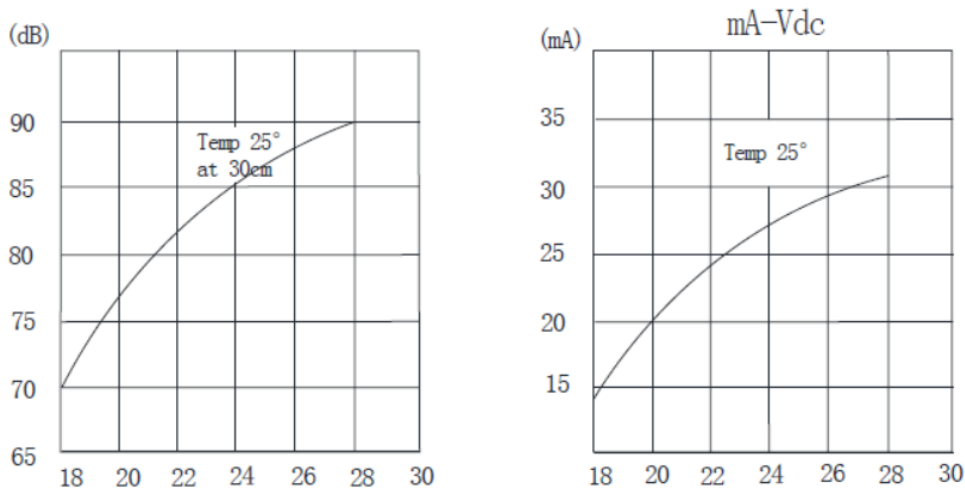
Parameters	Values	Units
Rated Voltage	12	V _{DC}
Operating Voltage Range	8 ~ 16	V _{DC}
Current Draw at Rated Voltage	35 Max.	mA
Minimum SPL @ 30cm	82	dBA
Resonant Frequency	400 ± 150	Hz
Tone or Pulse Rate	Continuous	-
Housing Material	ABS	-
Terminal Material	Lead Wires	-
Weight	8.4	Grams
Acceptable Soldering Methods	Hand Solder	-
Environmental Compliances	RoHS/REACH	-
Storage Temperature	-35 ~ +75	°C
Operating Temperature	-30 ~ +70	°C

Measurement Method (Temperature: 25±3°C; Relative Humidity: 60% ~ 70%)

Standard test fixture (Distance: 30cm, Voltage: 12V_{DC})



Typical SPL vs Input Voltage

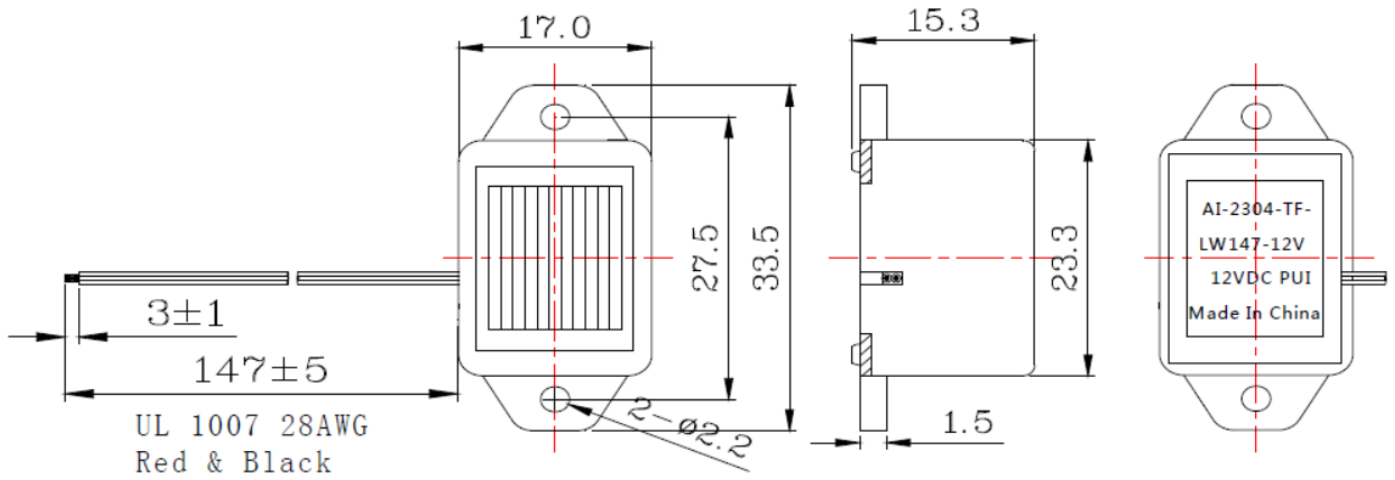


Reliability Testing

Type of Test	Test Specifications
High Temperature Test	240 hours at 75°C.
Low Temperature Test	240 hours at -35°C.
Humidity Test	240 hours at 40°C with relative humidity at 60%.
Temperature Cycle Testing	<p>Part shall be subject to 10 cycles. One cycle consists of 24 hours.</p> <p> +75°C +25°C a: 3hrs b: 12±0.5hrs c: 3hrs 24hours a, b : 90~98%RH c : 80~98%RH </p>
Thermal Shock	<p>Part shall be subject to 10 cycles. One cycle consists of</p> <p> -35°C +75°C 30 min. 30 min. 60 min. </p>
Vibration Test	Apply vibration amplitude of 1.5mm with 10-55hz band of vibration frequency to each of 3 per-pendicular direction for 2 hours.
Drop Test	Drop part from 75cm height onto 40mm thick wooden board 3 times in each X,Y,Z direction.

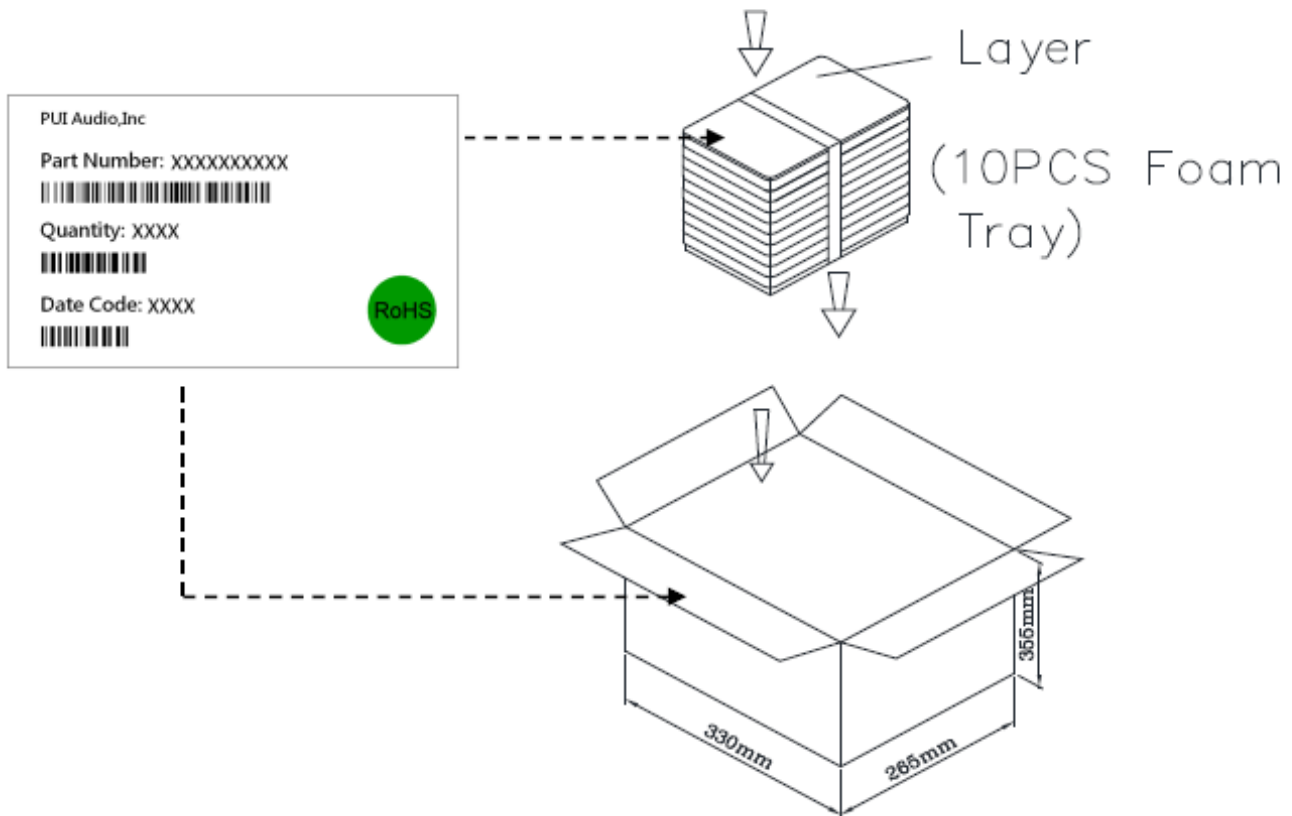
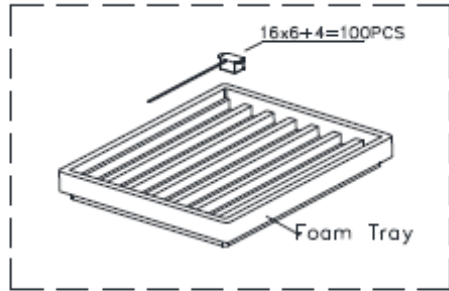
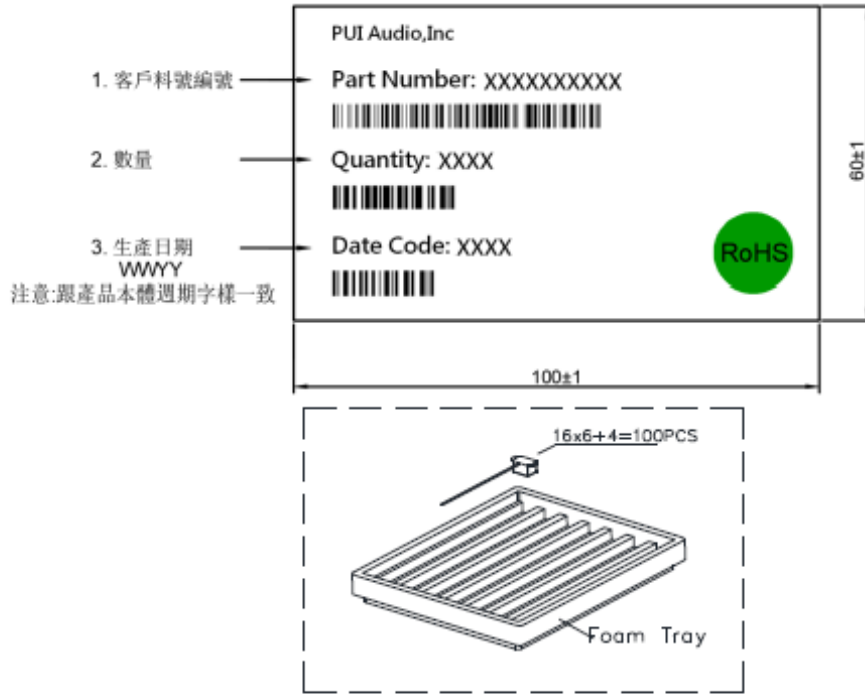
After test and resting time of 4 hours at 25C, SPL shall be within ±10dB.

Dimensions (Tolerance $\pm 0.5\text{mm}$ unless otherwise noted)



Red wire notes positive

Packaging



Foam Tray	315mmx255mmx40mm	1x100PCS=100PCS
layer	315mmx255mmx340mm	10x100PCS=1000PCS
Carton Box	330mmx265mmx355mm	1x1000PCS=1,000PCS

Specifications Revisions

Revision	Description	Date
A	RELEASED FROM ENGINEERING	7/13/2023

Note:

- 1. Unless otherwise specified:
 - A. All dimensions are in millimeters.
 - B. Default tolerances are $\pm 0.5\text{mm}$ and angles are $\pm 3^\circ$.
- 2. Specifications subject to change or withdrawal without notice.