

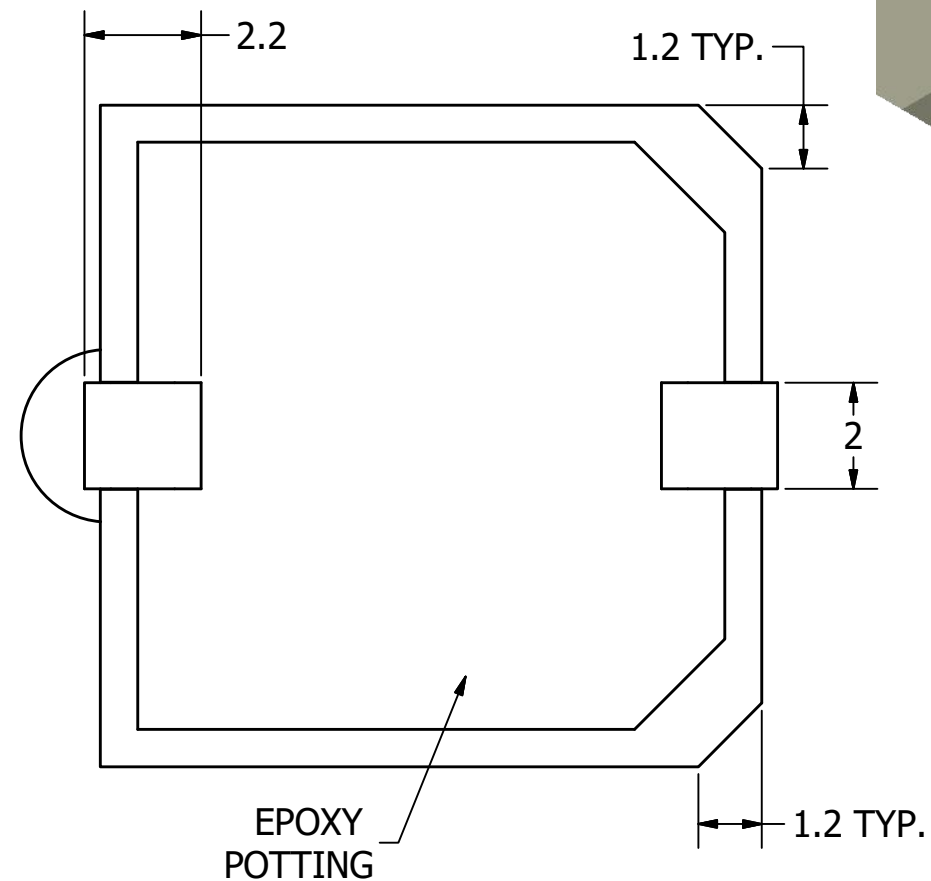
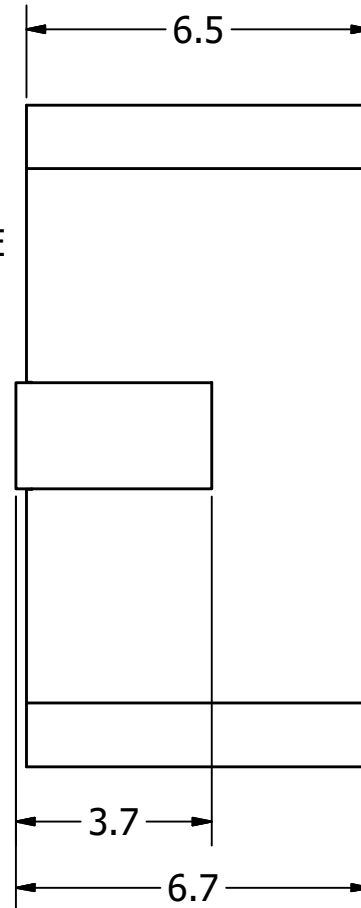
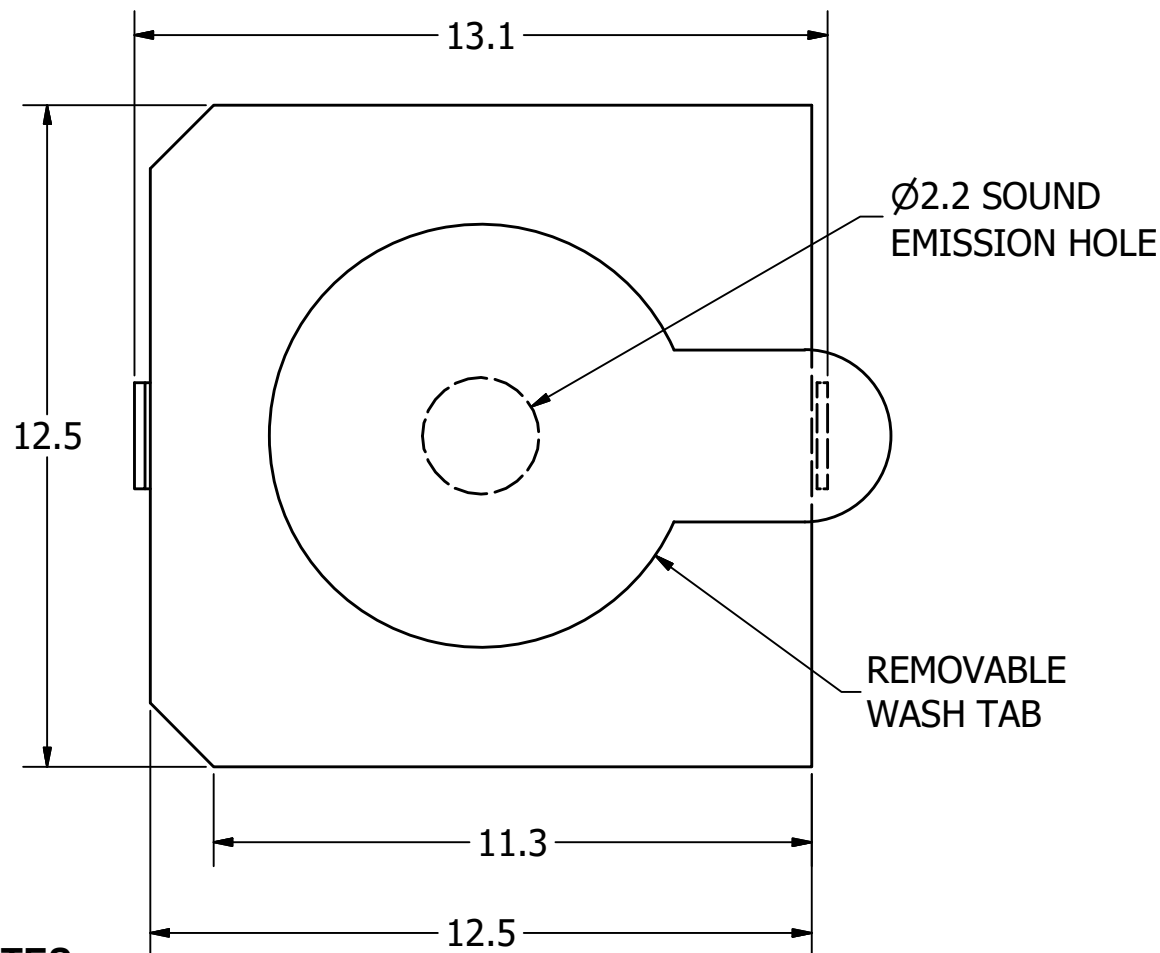
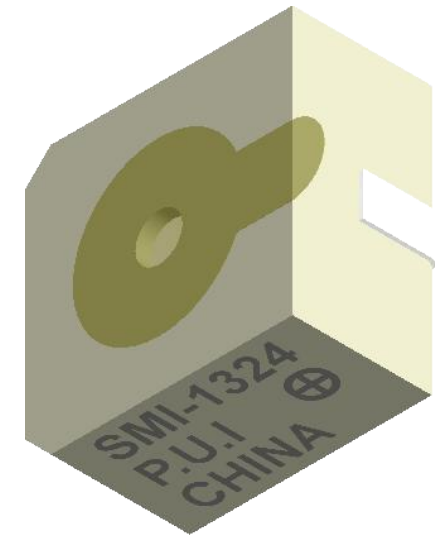
SPECIFICATIONS

PARAMETERS	VALUES	UNITS
RATED VOLTAGE	5	Vdc
OPERATING VOLTAGE RANGE	4 ~ 7	Vdc
RATED CURRENT (MAX)	30	mA
MINIMUM SPL @ 10 CM	85	dBA
RESONANT FREQUENCY	2,400 ± 300	Hz
TONE OR PULSE RATE	CONTINUOUS	0 pulse/sec
OPERATING TEMPERATURE	-30 ~ +70	°C
STORAGE TEMPERATURE	-40 ~ +85	°C
HOUSING MATERIAL	PA46	-
TERMINAL MATERIAL	Sn PLATED BRASS	-
WEIGHT	5	grams

THIS DOCUMENT CONTAINS DATA PROPRIETARY TO PROJECTS UNLIMITED, INC. ANY USE OR REPRODUCTION, IN ANY FORM, WITHOUT PRIOR WRITTEN PERMISSION OF PROJECTS UNLIMITED, INC. IS PROHIBITED.
©2003, Projects Unlimited Inc.

REVISION HISTORY

LTR	DESCRIPTION	DATE	APPROVED
-	RELEASED FROM ENGINEERING	4/7/2005	
A	REVISED NOTE 3 & ADDED NOTE 4	11/2/2005	B.R.
B	REVISED TO INVENTOR 3-D DRAWING TEMPLATE	6/1/2010	B.R.
C	REVISED TEMPERATURE SPECIFICATIONS	2/28/2020	M.V.



NOTES:

1. ALL DIMENSIONS ARE IN MILLIMETERS.
2. SPECIFICATIONS SUBJECT TO CHANGE OR WITHDRAWL WITHOUT NOTICE.
3. THIS PART IS RoHS 2002/95/EC COMPLIANT.
4. MAXIMUM REFLOW TEMPERATURE IS 260°C.

UNLESS OTHERWISE SPECIFIED: DIMENSIONS ARE IN MILLIMETERS, TOLERANCES ARE ±0.5 AND ANGLES ARE ±3°.	SIZE A3	Designed by	Date	Checked by	Date	Approved by	Date	Drawn Date
		R.A.C.	4/7/2005			R.W.	4/7/2005	6/1/2010
SMI-1324-TW-5V-R.idw				SMI-1324-TW-5V-R Indicator				
						Edition		Sheet
						-		1 / 1