



PUIaudio



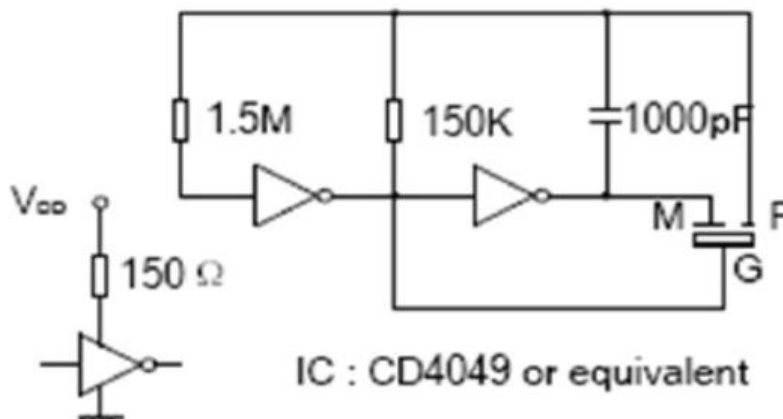
Data Sheet	AT-4034-TT-R
------------	--------------

- Self-Drive Piezo Transducer

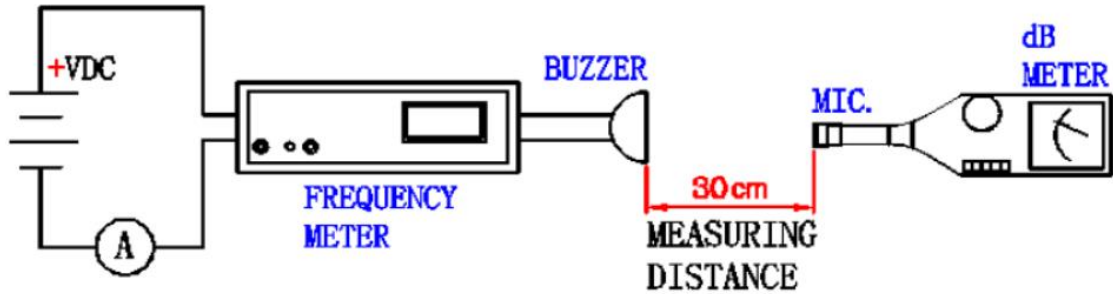
Specifications

Parameters	Values	Units
Rated Voltage	9	Vdc
Operating Voltage Range	6 ~ 12	Vdc
Current Draw at Rated Voltage	10	mA
Capacitance @ 100Hz/1V	25,000 ± 30%	pF
Minimum SPL @ 30cm	90	dBA
Resonant Frequency	3400 ± 500	Hz
Housing Material	Nylon (white)	-
Terminal Material	Nickel Plated Brass	-
Weight	8	Grams
Acceptable Soldering Methods	Manual	-
Environmental Compliances	RoHS/REACH	Exempt. 7c-1
Storage Temperature	-30 ~ +80	°C
Operating Temperature	-20 ~ +70	°C

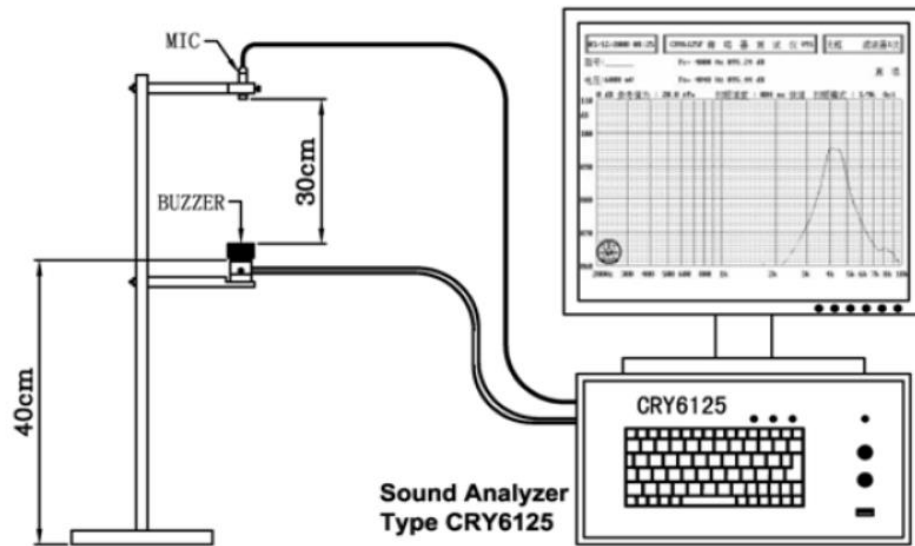
Measurement Method using recommended drive circuit_(9Vdc @ 30cm)



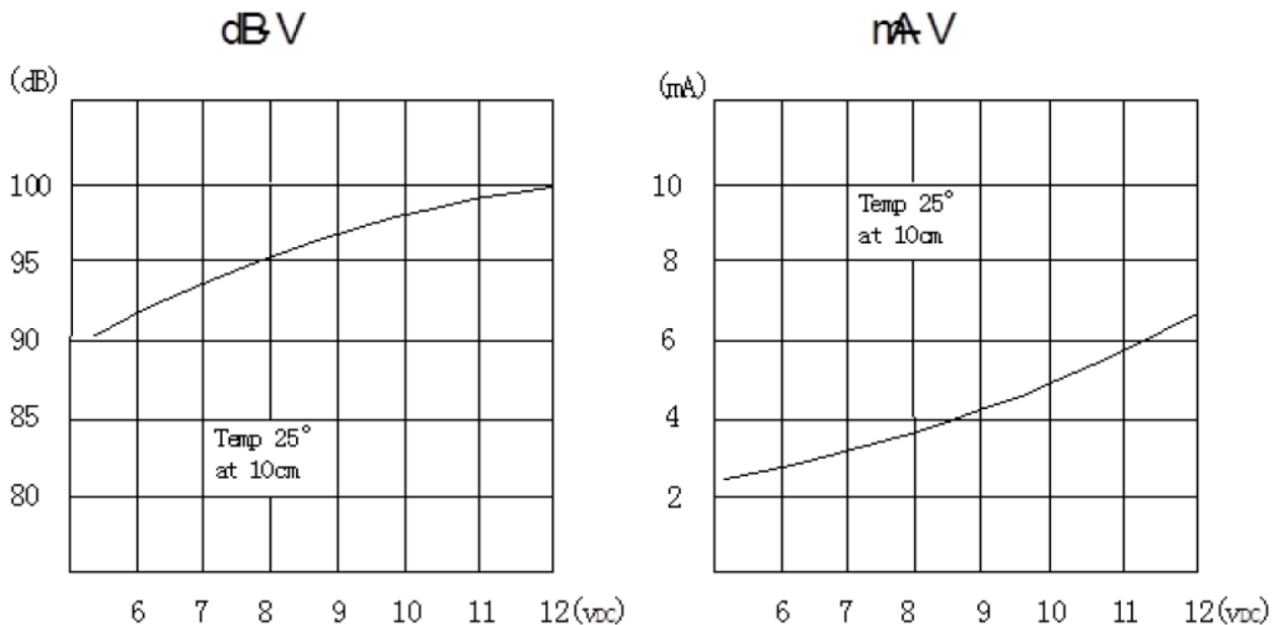
Measurement Method (cont'd)



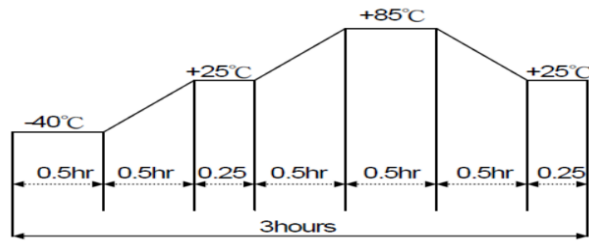
In the measuring test, buzzer is placed as follows:



Typical Frequency Response



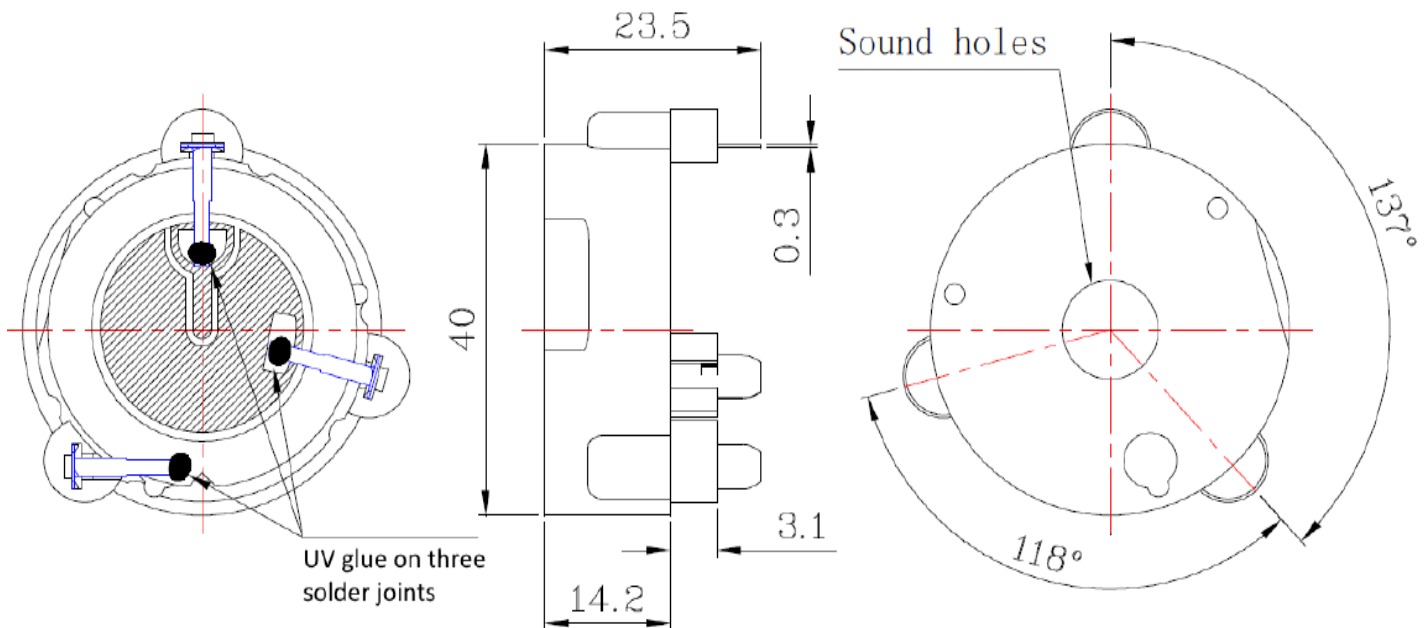
Reliability Testing

Type of Test	Test Specifications
High Temperature Test	96 hours at 80°C. Rest for 2hrs room condition before testing.
Low Temperature Test	96 hours at -30°C. Rest for 2hrs room condition before testing.
Humidity Test	96 hours at 40°C with relative humidity at 90-95%. Rest for 2hrs room condition before testing.
Temperature Cycle Testing	Tests consists of 5 cycles. One cycle is as below 
Vibration Test	Apply vibration of 1.5mm amplitude, 10-55Hz vibration frequency in xyz direction for 2 hours.
Drop Test	Drop from height of 75cm onto 40mm thick wooden board 3 times in each xyz direction.

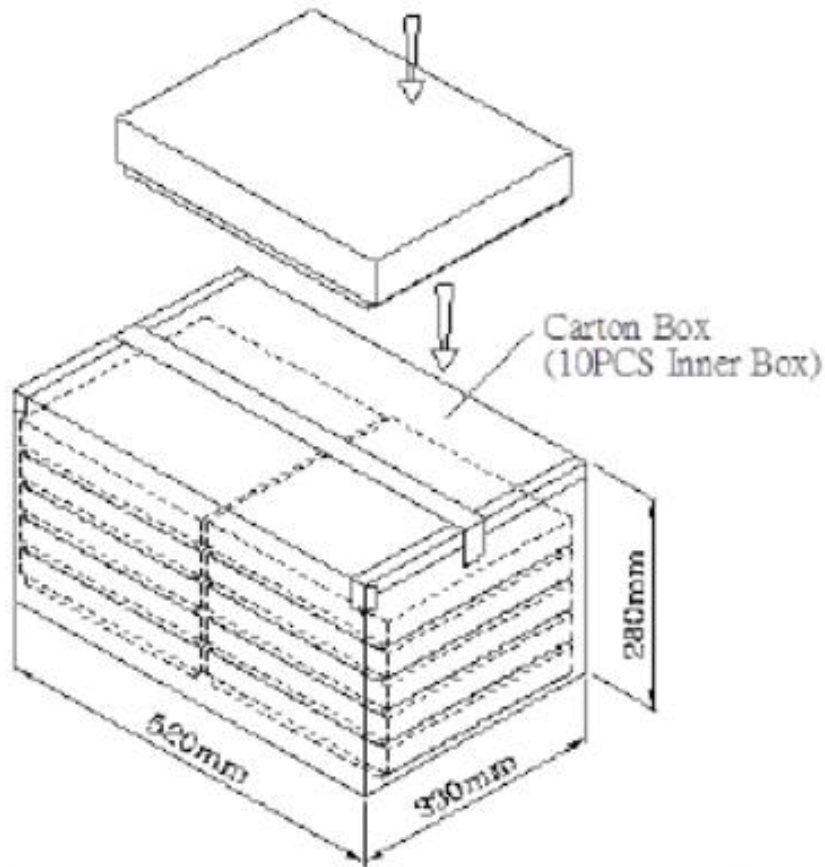
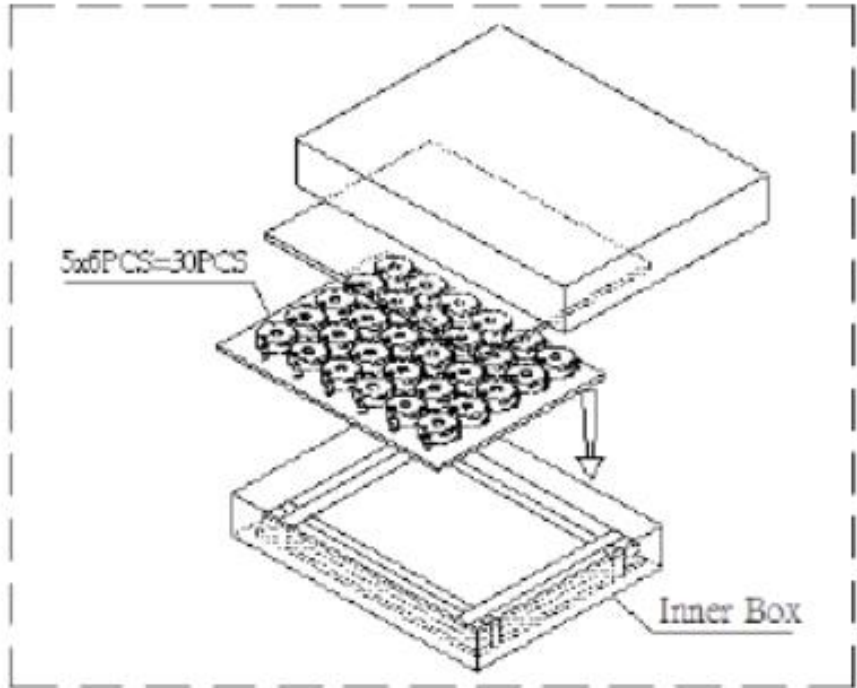
Restest after 4hours rest at 25C. Part shall be within $\pm 10\text{dB}$ to initial test.

Soldering Method – Manual soldering iron temp 330°C-380°C, time 2secs or less per terminal.

Dimensions



Packaging



Inner Box	315mmx245mmx50mm	1x10PCS=30PCS
Carton Box	520mmx330mmx280mm	10x30PCS=300PCS

Specifications Revisions

Revision	Description	Date
-	RELEASED FROM ENGINEERING	1/10/2013
A	Update changes to parameters and dimensions	12/11/2014

Note:

1. Unless otherwise specified:
 - A. All dimensions are in millimeters.
 - B. Default tolerances are $\pm 0.5\text{mm}$ and angles are $\pm 3^\circ$.
2. Specifications subject to change or withdrawal without notice.