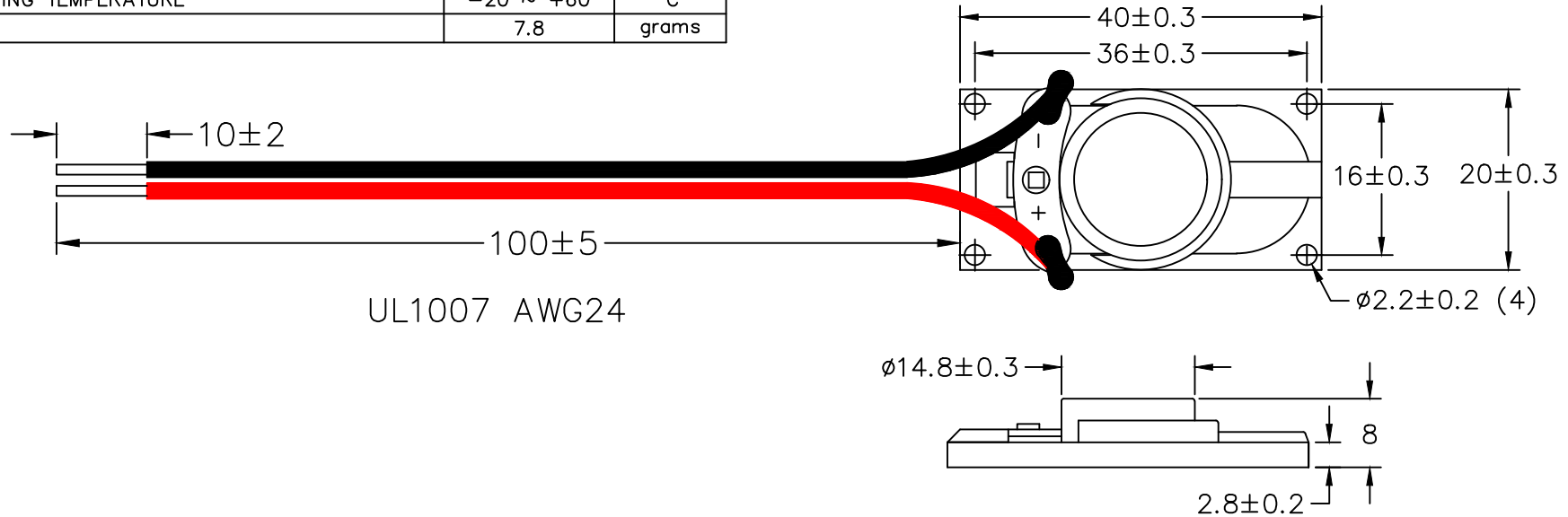


THIS DOCUMENT CONTAINS DATA PROPRIETARY TO PROJECTS UNLIMITED, INC. ANY USE OR REPRODUCTION, IN ANY FORM, WITHOUT PRIOR WRITTEN PERMISSION OF PROJECTS UNLIMITED, INC. IS PROHIBITED.  
© 2005, Projects Unlimited Inc.

SPECIFICATIONS

PARAMETERS	VALUES	UNITS
RATED INPUT POWER	1.5	W
MAX INPUT POWER	3	W
IMPEDANCE	8±15%	OHM
OUTPUT SPL @ 1W/0.5M (AT 0.8, 1, 1.2, 1.5 kHz)	84±3	dBA
DISTORTION (MAX.)	5%	-
RESONANT FREQUENCY	550±20%	Hz
FREQUENCY RANGE	200 ~ 20,000	Hz
HOUSING MATERIAL	ABS	-
CONE MATERIAL	CLOTH	-
MAGNET MATERIAL	NdFeB	-
OPERATING TEMPERATURE	-20 ~ +60	°C
WEIGHT	7.8	grams

REVISIONS			
LTR	DESCRIPTION	DATE	APPROVED
-	RELEASED FROM ENGINEERING	9/21/15	




NOTES:

1. ALL DIMENSIONS ARE IN MILLIMETERS.
2. SPECIFICATION SUBJECT TO CHANGE OR WITHDRAWAL WITHOUT NOTICE.
3. THIS PART IS RoHS 2011/65/EU COMPLIANT.

BASE SPEAKER  
AS04008CO-2-R

FILE NAME  
AS04008CO-2-LW100-R.DWG

UNLESS OTHERWISE SPECIFIED: ALL PURCHASES ARE SUBJECT TO THE PUI AUDIO TERMS AND CONDITIONS SALE FOUND AT <a href="http://www.puiaudio.com/pdf/terms_conditions.pdf">http://www.puiaudio.com/pdf/terms_conditions.pdf</a> (paper copy available upon receipt). DIMENSIONS ARE IN MILLIMETERS, TOLERANCES ARE ±0.5 AND ANGLES ARE ±3°.		 <p><b>pui audio</b> A Division of Projects Unlimited</p>	6300 Sand Lake Road Dayton, Ohio 45414
<p>APPROVALS</p> <p>DRAWN <i>M.L.</i> 9/15</p> <p>CHECKED <i>M.L.</i> 9/15</p> <p>APPROVED <i>B.R.</i> 9/15</p>			
<p>APPROVALS</p> <p>DRAWN <i>M.L.</i> 9/15</p> <p>CHECKED <i>M.L.</i> 9/15</p> <p>APPROVED <i>B.R.</i> 9/15</p>		<p>SIZE</p> <p>A</p>	<p>SPEAKER</p> <p>DRAWING NO.</p> <p>AS04008CO-2-LW100-R</p>
SCALE: N.T.S.		SHEET 1 OF 1	