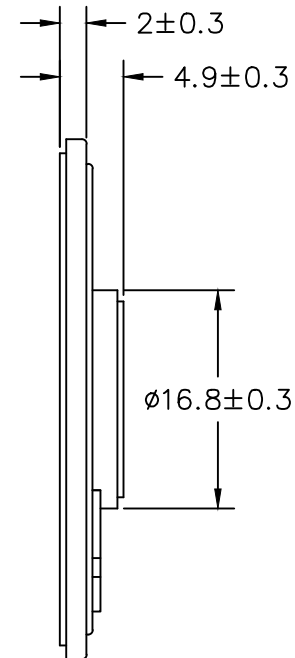
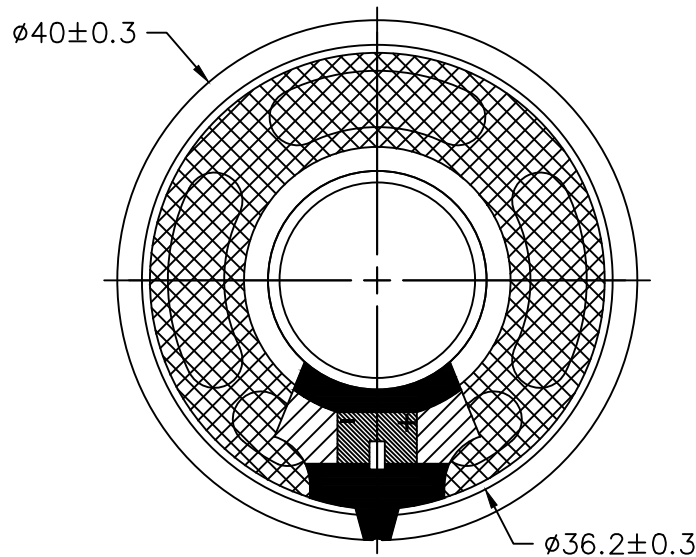


THIS DOCUMENT CONTAINS DATA PROPRIETARY TO PROJECTS UNLIMITED, INC. ANY USE OR REPRODUCTION, IN ANY FORM, WITHOUT PRIOR WRITTEN PERMISSION OF PROJECTS UNLIMITED, INC. IS PROHIBITED.
© 2005, Projects Unlimited Inc.

SPECIFICATIONS

PARAMETERS	VALUES	UNITS
RATED INPUT POWER	1	W
MAX INPUT POWER	1.5	W
IMPEDANCE	8±15%	OHM
OUTPUT SPL @ 1W/1M (AT 1.0 kHz)	86±3	dBA
DISTORTION (MAX.)	5%	-
RESONANT FREQUENCY	450±20%	Hz
FREQUENCY RANGE	450 ~ 20,000	Hz
HOUSING MATERIAL	METAL	-
CONE MATERIAL	MYLAR	-
MAGNET MATERIAL	NdFeB	-
OPERATING TEMPERATURE	-40 ~ +85	°C
WEIGHT	8	grams


REVISIONS			
LTR	DESCRIPTION	DATE	APPROVED
-	RELEASED FROM ENGINEERING	6/17/11	



NOTES:

1. ALL DIMENSIONS ARE IN MILLIMETERS.
2. SPECIFICATION SUBJECT TO CHANGE OR WITHDRAWAL WITHOUT NOTICE.
3. THIS PART IS RoHS 2002/95/EC COMPLIANT.

FILE NAME
AS04008MR-11-R.DWG

UNLESS OTHERWISE SPECIFIED: DIMENSIONS ARE IN MILLIMETERS, TOLERANCES ARE ±0.5 AND ANGLES ARE ±3°.		 a projects unlimited company		3541 Stop Eight Road Dayton, Ohio 45414	
APPROVALS		DATE		<h2 style="margin: 0;">SPEAKER</h2> <p style="margin: 0;">DRAWING NO. AS04008MR-11-R</p>	
DRAWN		DATE			
CHECKED		DATE			
APPROVED		DATE		SIZE	SHEET 1 OF 1
				A	SCALE: N.T.S.