



# PUIaudio



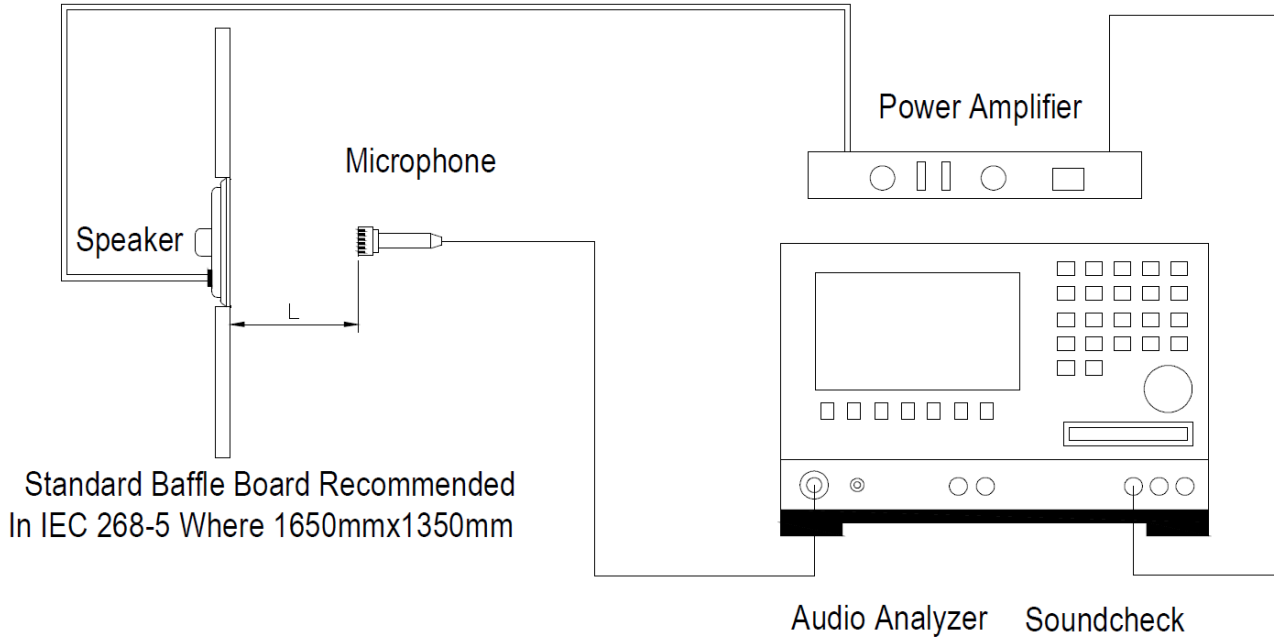
Data Sheet

AS05004PR-2-R

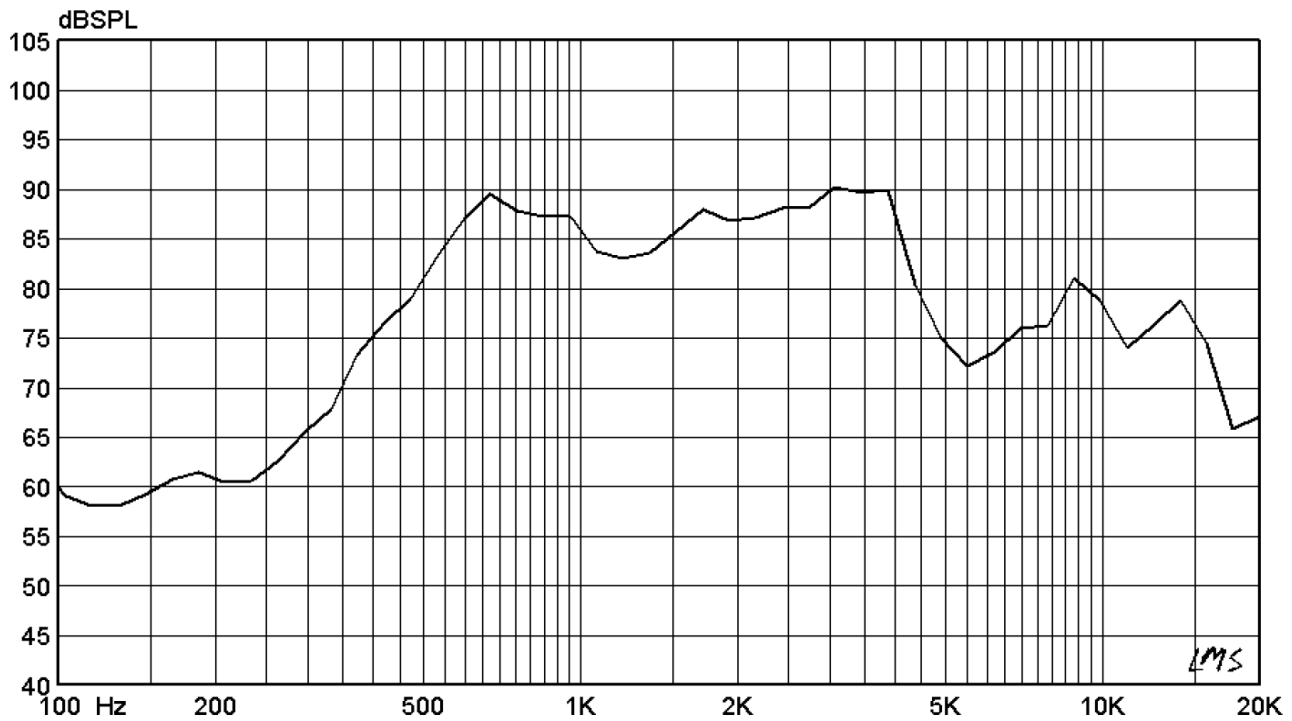
## Specifications

Parameters	Values	Units
Rated Input Power	1.5	Watts
Max Input Power	3.0	Watts
Impedance	$4 \pm 15\%$	Ohms
Output SPL (Avg. 1.0k, 1.2, 1.5k, 2.0kHz @ 1.0W/1m)	$85.0 \pm 3$	dB
Resonant Frequency ( $f_0$ )	$800 \pm 20\%$	Hz
Frequency Range (-10dB SPL)	$f_0 \sim 5,000$	Hz
THD (1kHz, 1.5W Drive)	$\leq 5$	%
Diaphragm Material	Paper	-
Frame Material	Metal	-
Magnet Material	NdFeB (N35)	-
Weight	15.0	Grams
Buzz, Rattle, etc.	Must not be audible with $f_0 - 0.5 - 5\text{kHz}$ , 1W sine wave	-
Environmental Compliances	ROHS/REACH	-
Polarity	Cone moves forward with positive dc current applied to "+" terminal	-
Storage Temperature	$-30 \sim +60$	°C
Operating Temperature	$-20 \sim +60$	°C

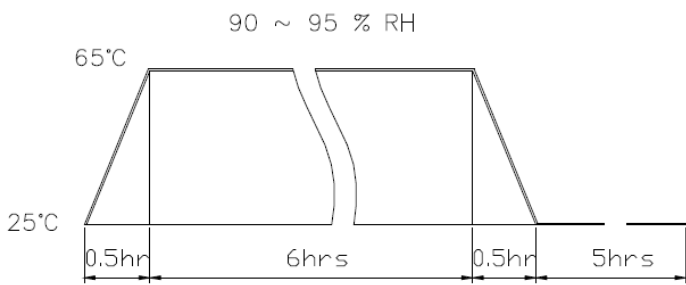
### Measurement Method (Measured with 1.0W, L = 1m, Temperature: 23 ~ 25°C, Relative Humidity: 55% (max).)



### Typical Frequency Response (Measured with 1.0W drive, distance = 1m)

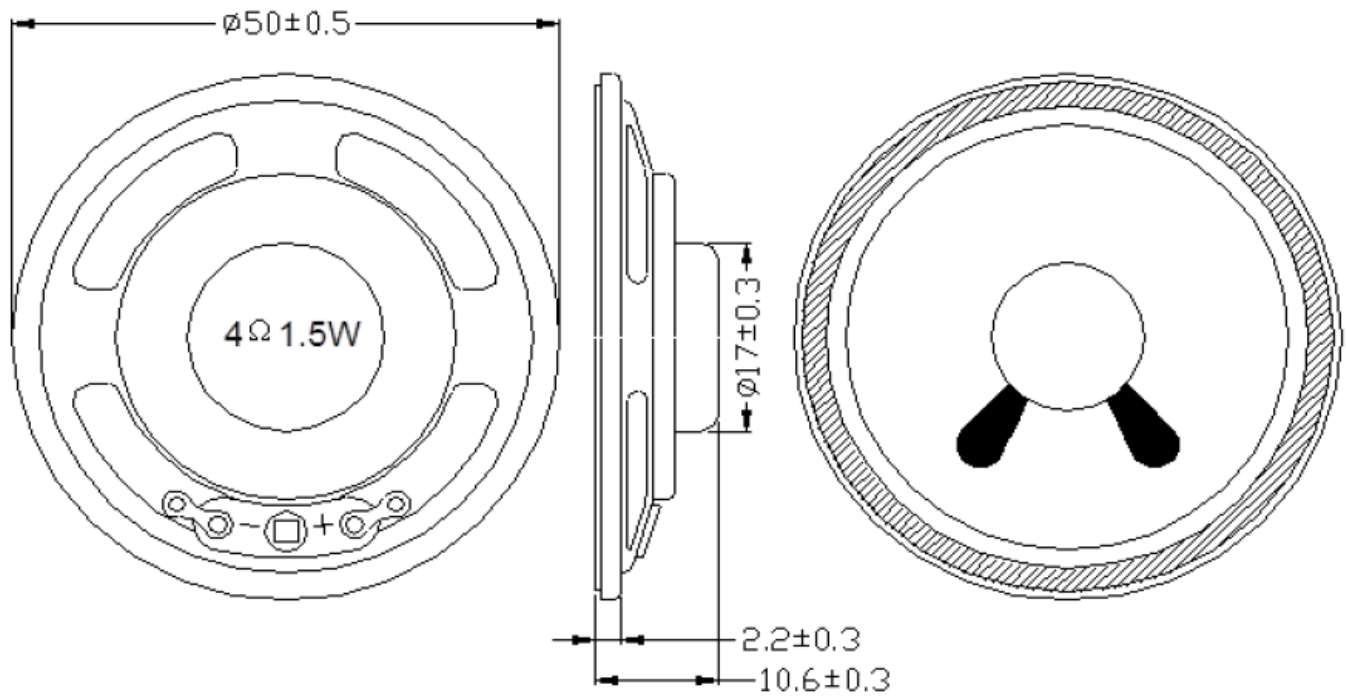


## Reliability Testing

Type of Test	Test Specifications
High Temperature Test	96 hours at 60±3°C
Low Temperature Test	96 hours at -30±3°C
Humidity Test	96 hours at 30±3°C with relative humidity at 92~95%
Temperature Cycle Testing	<p>Run for 5 cycles with each cycle consisting of:</p>  <p>90 ~ 95 % RH</p> <p>65°C</p> <p>25°C</p> <p>0.5hr 6hrs 0.5hr 5hrs</p>
Vibration Test	Frequency: 10~55~10Hz Oct/min Amplitude: 1.5mm Duration: 2 hours each of 3 perpendicular directions
Drop Test	Drop the speaker contained in normal box onto the surface of 40mm thick board 10 times from the height of 75cm.
Load Test	Must perform normal with program White-Noise source at Rated Power for 96 Hours

**After each test let rest for 6 hours in standard room temperature, the part shall be within ±3dB.**

**Dimensions** (Tolerance:  $\pm 0.5\text{mm}$ , unless otherwise specified.)



**Packaging - 40pcs per tray, 500pcs MSTR CRT**

**Specifications Revisions**

Revision	Description	Date
-	Released from Engineering	05/15/2006
A	Revised to Inventor 3D Template	01/06/2009

Note:

1. Unless otherwise specified:
  - A. All dimensions are in millimeters.
  - B. Default tolerances are  $\pm 0.5\text{mm}$  and angles are  $\pm 3^\circ$ .
2. Specifications subject to change or withdrawal without notice.