



PUI audio



Data Sheet

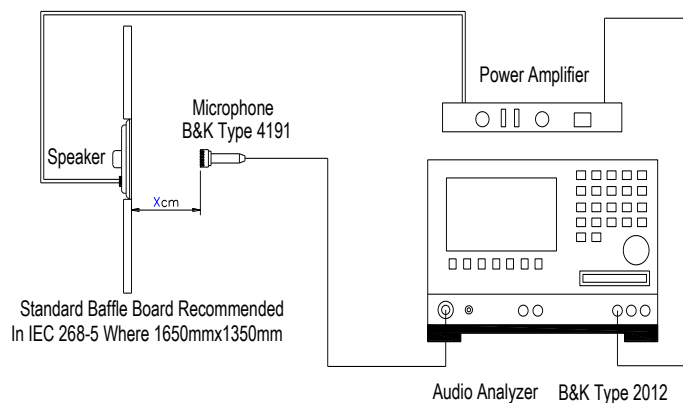
AS07708PS-7-R

Specifications

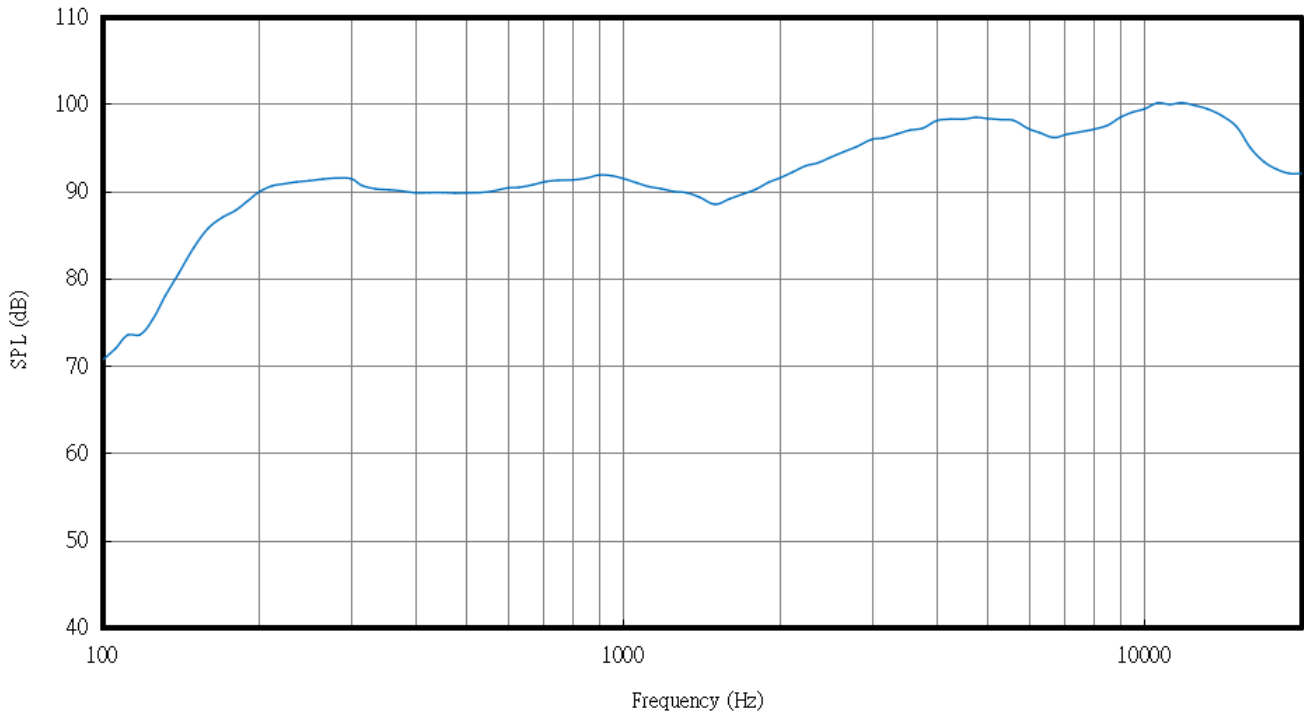
Parameters	Values	Units
Rated Input Power	4	Watts
Max Input Power	8	Watts
Impedance	8 ± 15%	Ohms
Sensitivity SPL @ 1W/50cm (AVG. 0.4, 0.5, 0.6, and 0.8 kHz)	90 ± 3	dBA
Distortion (Max @ 1W, 1 kHz)	<5%	-
Resonant Frequency	250 ± 20%	Hz
Frequency Range	200 ~ 20,000	Hz
Diaphragm Material	Paper	-
Housing Material	SPCC metal	-
Magnet Material	Ferrite	-
Weight	109	Grams
Environmental Compliance	ROHS/REACH	-
Ingress Protection	-	-
Buzz, Rattle, etc.	Should not be audible with 5.65V sine wave from 200Hz to 5kHz	-
Polarity	When positive voltage is applied to the positive terminal, the diaphragm will move outward	-
Operating Temperature	-40 ~ +85	°C
Storage Temperature	-40 ~ +85	°C

Measurement Method

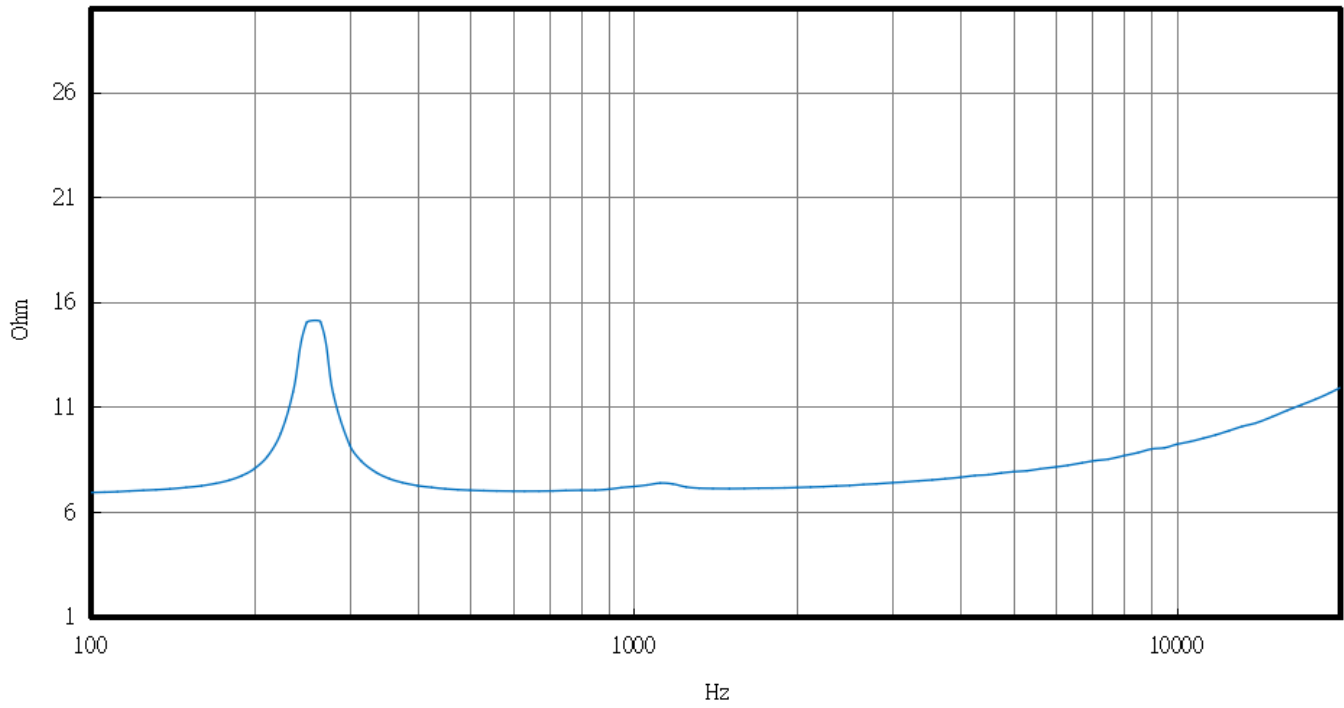
Standard test condition of speaker



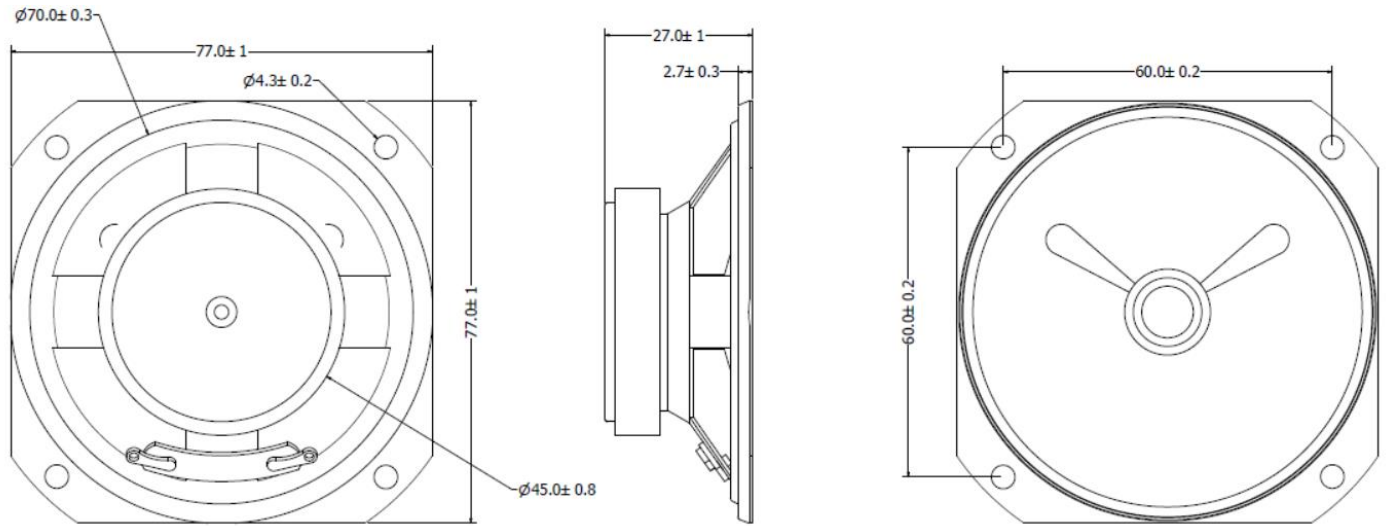
Frequency Response Curve (1W, 50cm)



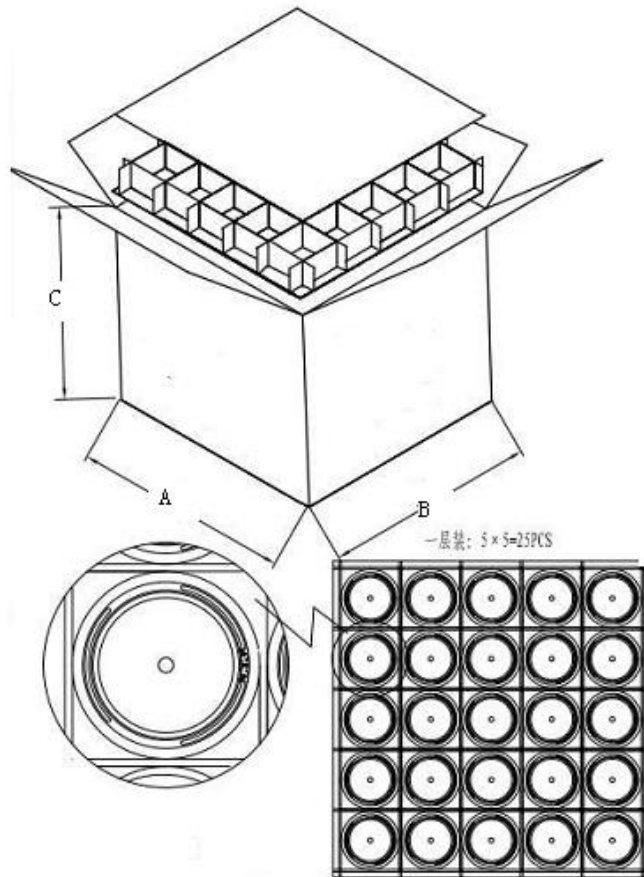
Impedance Curve



Dimensions



Packaging



46 x 46 x 16cm
25pcs Tray
100pcs Carton

Specifications Revisions

Revision	Description	Date
A	Released from Engineering	5/23/2022
B	Correct Operating Temp	10/3/2022

Note:

1. Unless otherwise specified:
 - A. All dimensions are in millimeters.
 - B. Default tolerances are $\pm 0.5\text{mm}$ and angles are $\pm 3^\circ$.
2. Specifications subject to change or withdrawal without notice.