



PUIaudio



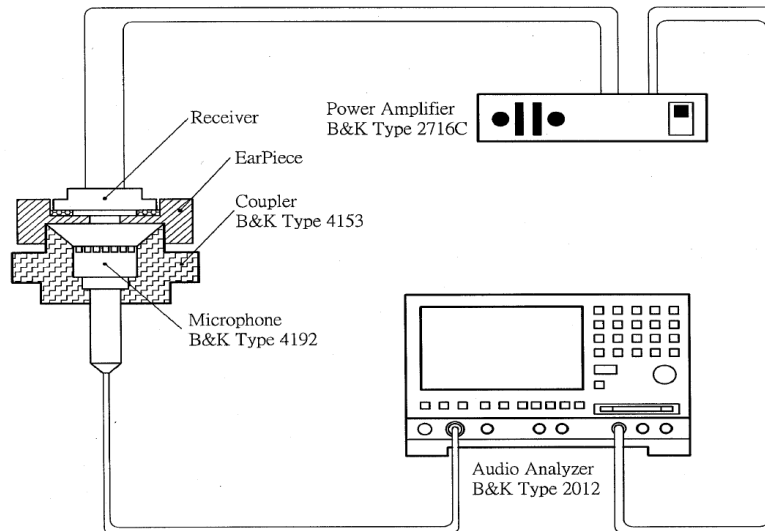
Data Sheet

AR04032MR-5-R

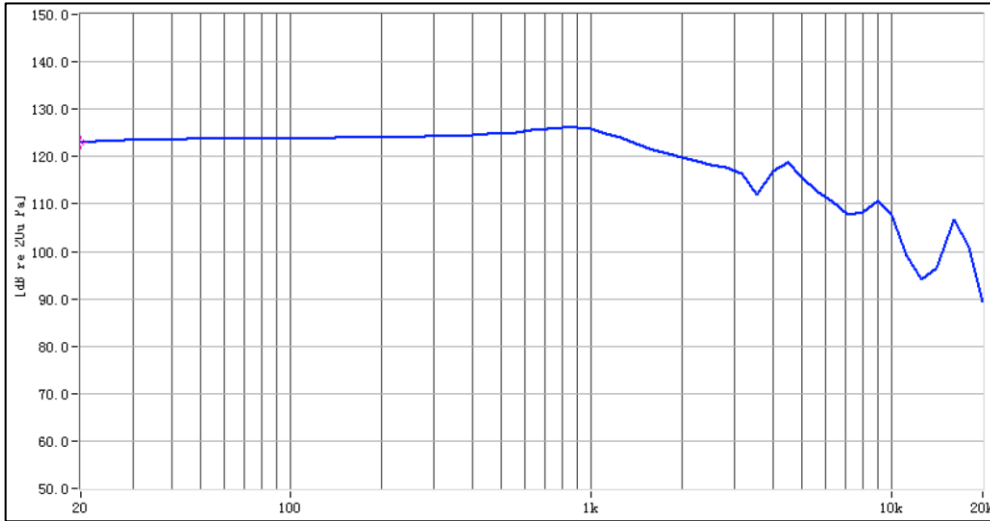
Specifications

Parameters	Values	Units
Rated Input Power	20	mW
Max Input Power	30	mW
Impedance	32 ± 15%	Ohms
Sensitivity (SPL @ 1kHz) 0.179V in IEC318 Type 4192 Coupler	120 ± 3	dB Pa/V
Resonant Frequency	115 ± 20%	Hz
Frequency Range	20 ~ 20,000	Hz
Frame Material	ABS	-
Magnet Material	NdFeB	-
Weight	15	Grams
Environmental Compliance	RoHS/REACH	-
Ingress Protection	IPx7	-
Buzz, Rattle, etc.	Should not be audible with 0.8V sine wave from 50 Hz to 3 kHz	-
Polarity	When positive voltage is applied to the positive terminal, the diaphragm will move outward	-
Operating Temperature	-20 ~ +55	°C
Storage Temperature	-40 ~ +75	°C

Measurement Method (measured with 800mV, Temperature: 15 ~ 35°C, Relative Humidity: 45%~85%)



Frequency Response (0.179V in IEC318 Type 4192 Coupler)

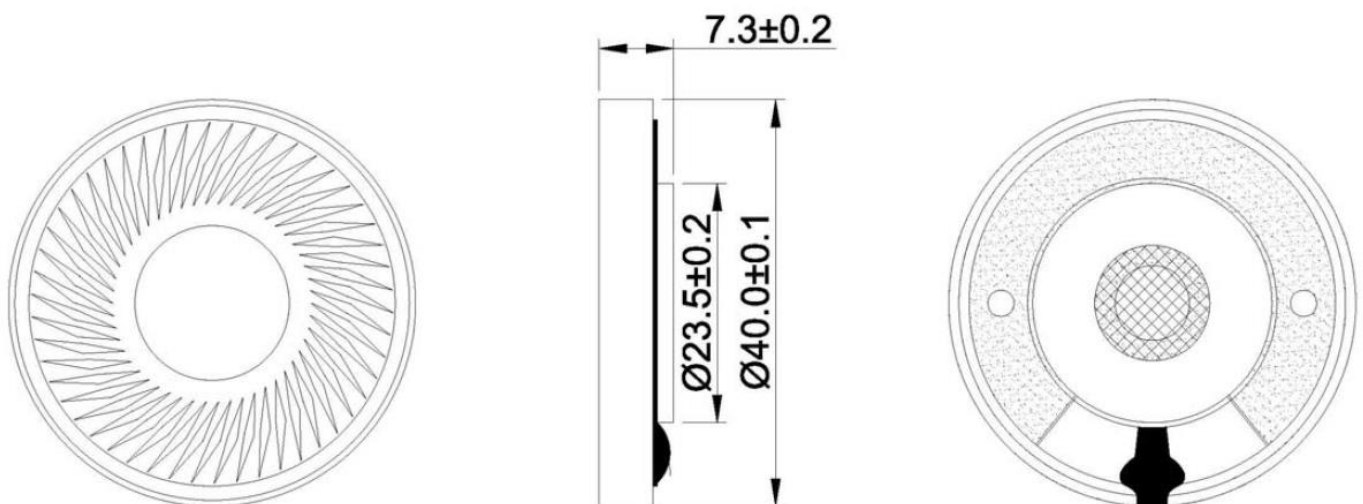


Reliability Testing

Type of Test	Test Specifications
High Temperature Test	96 hours at +75°C ± 3°C followed by three hours in normal room temperature
Low Temperature Test	96 hours at -40°C ± 3°C followed by three hours in normal room temperature
Humidity Test	48 hours at +40°C ± 3°C with relative humidity at 95% followed by 3 hours in normal room temperature

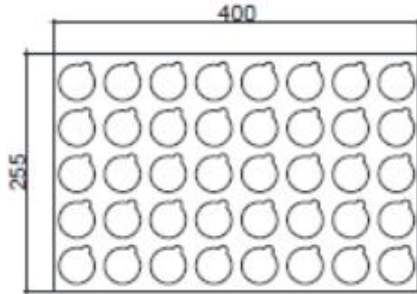
After each test, the speaker's SPL shall be ±3 dB of the original SPL.

Dimensions

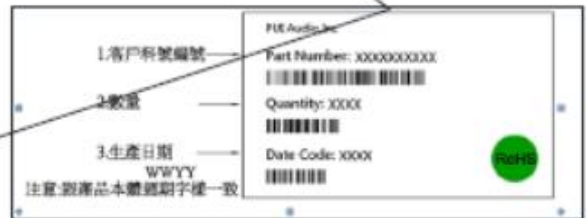
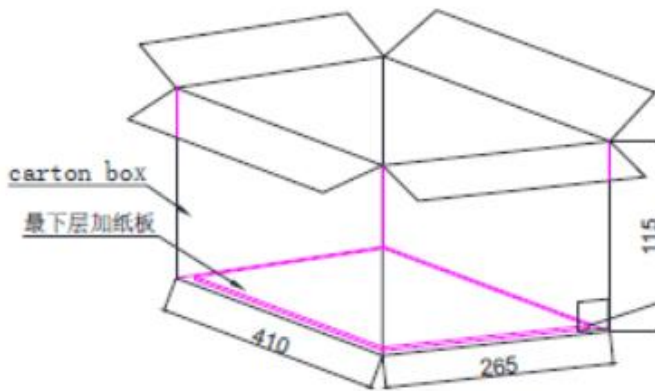
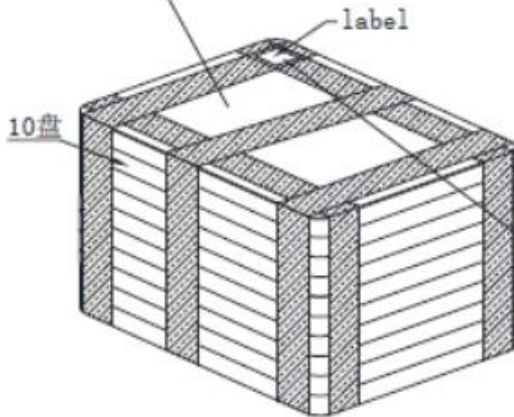


***Use caution when handling the receiver. Do not touch the diaphragm directly or it will cause deformation. Do not allow receivers to stack onto each other which will cause deformation.**

Packaging

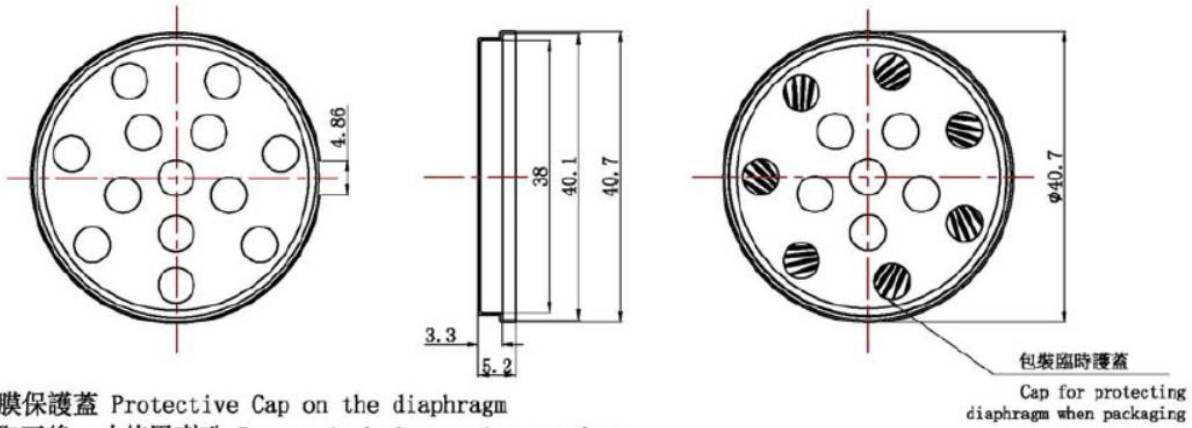


1. Do not touch diaphragm directly, which will speaker cause deformation due to the diaphragm is very thin;
 膜片很薄, 直接觸碰喇叭會引起膜片變形
2. Do not let the speaker adsorb together, which will cause deformation of the diaphragm.
 不可讓喇叭吸附粘連在一起, 會引起膜片變形



Tray	400*255*11	1*40PCS=40PCS
Carton box	410*265*115	10*40PCS=400PCS

1: Dimension: ±5
 2: unit :mm



振膜保護蓋 Protective Cap on the diaphragm
需取下後，才使用喇叭 Remove it before using speaker

裝護蓋之後視圖 After adding protective cap

Specifications Revisions

Revision	Description	Date
A	Released from Engineering	12/15/21
B	Packaging Design Change and handling note	4/12/2022
C	Packaging Change and add protective cap over receiver	9/20/2022
D	Add Ingress Protection Rating IPx7	7/28/2023

Note:

1. Unless otherwise specified:
 - A. All dimensions are in millimeters.
 - B. Default tolerances are $\pm 0.5\text{mm}$ and angles are $\pm 3^\circ$.
2. Specifications subject to change or withdrawal without notice.