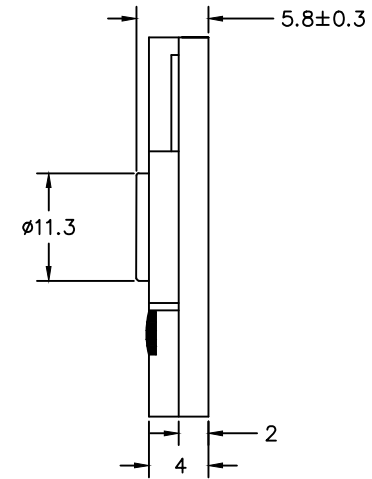
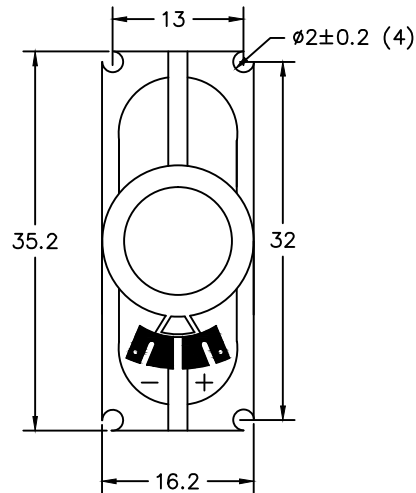


THIS DOCUMENT CONTAINS DATA PROPRIETARY TO PROJECTS UNLIMITED, INC. ANY USE OR REPRODUCTION, IN ANY FORM, WITHOUT PRIOR WRITTEN PERMISSION OF PROJECTS UNLIMITED, INC. IS PROHIBITED.
© 2005, Projects Unlimited Inc.

SPECIFICATIONS

PARAMETERS	VALUES	UNITS
RATED INPUT POWER	1.0	W
MAX INPUT POWER	2.0	W
IMPEDANCE	4±15%	OHM
OUTPUT SPL @ 1W/0.5M (AT 0.6, 0.8, 1.0, 1.2 kHz)	83±3	dBA
DISTORTION (MAX.)	10%	—
RESONANT FREQUENCY	600±20%	Hz
FREQUENCY RANGE	F _o ~ 20000	Hz
HOUSING MATERIAL	PBT	—
CONE MATERIAL	CLOTH	—
MAGNET MATERIAL	NdFeB	—
OPERATING TEMPERATURE	-20 ~ +60	°C
WEIGHT	7.5	grams


REVISIONS			
LTR	DESCRIPTION	DATE	APPROVED
—	RELEASED FROM ENGINEERING	3/4/14	



NOTES:

- ALL DIMENSIONS ARE IN MILLIMETERS.
- SPECIFICATION SUBJECT TO CHANGE OR WITHDRAWAL WITHOUT NOTICE.
- THIS PART IS RoHS 2011/65/EU COMPLIANT.

FILE NAME
AS03504CO-2-R.DWG

UNLESS OTHERWISE SPECIFIED: DIMENSIONS ARE IN MILLIMETERS, TOLERANCES ARE ±0.5 AND ANGLES ARE ±3°.		 a projects unlimited company		3541 Stop Eight Road Dayton, Ohio 45414	
APPROVALS	DATE	<h1>SPEAKER</h1>			
DRAWN	M.L. 3/14				
CHECKED	M.L. 3/14	SIZE	DRAWING NO.		
APPROVED	B.R. 3/14	A	AS03504CO-2-R		
SCALE: N.T.S.			SHEET 1 OF 1		