



PUI audio

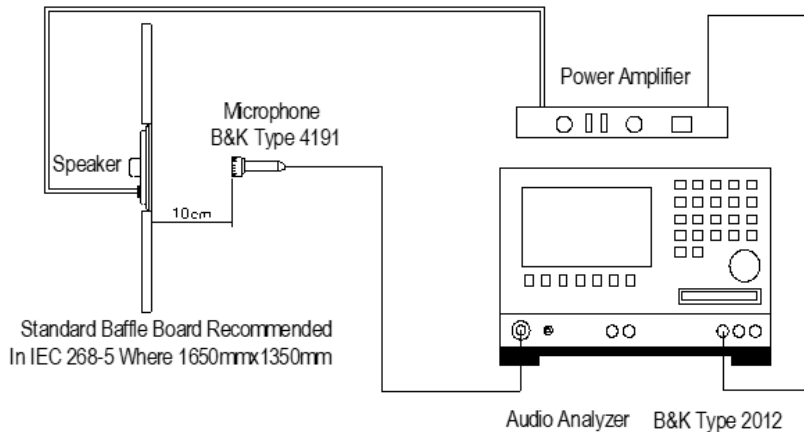


Data Sheet AS03608MR-10-R

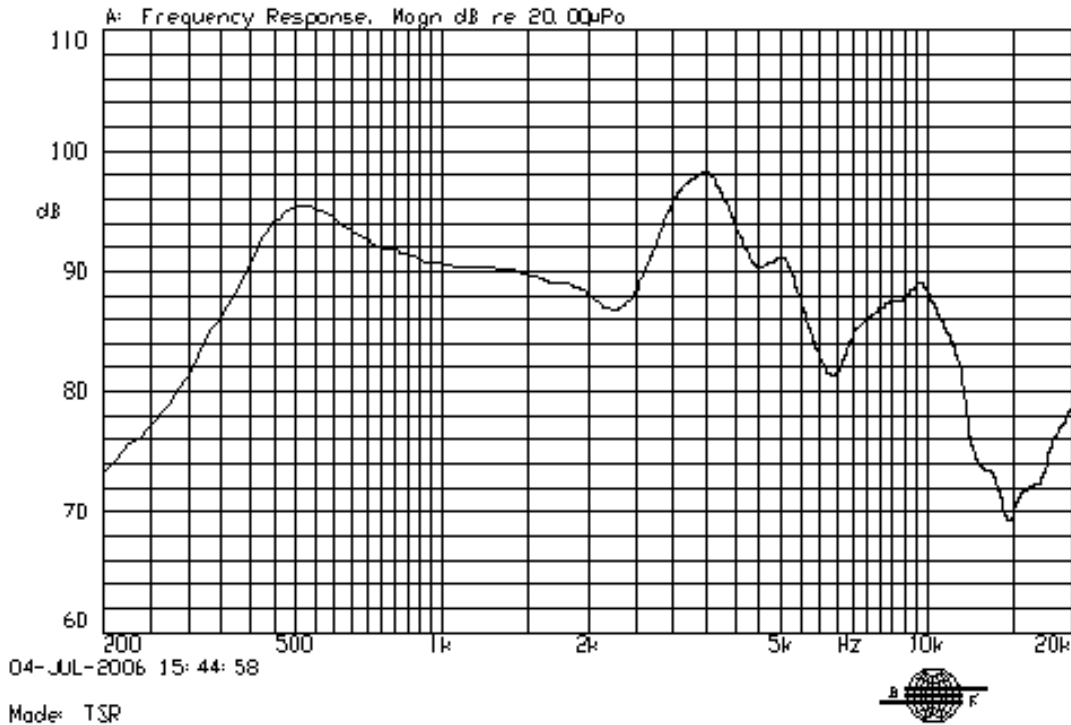
Specifications

Parameters	Values	Units
Rated Input Power	1.0	Watts
Max Input Power	1.5	Watts
Impedance	$8 \pm 15\%$	Ohms
Output SPL (0.1W/0.1m, AVG. 0.8, 1.0, 1.2, 1.5 kHz)	91 ± 3	dB
Resonant Frequency (fo)	$500 \pm 20\%$	Hz
Frequency Range	fo - 4500	Hz
THD max. (1kHz, 0.1W)	5%	-
Diaphragm Material	Mylar	-
Frame Material	Metal	-
Magnet Material	NdFeB	-
Weight	12	Grams
Ingress Protection Rating	NA	-
Acceptable Soldering Methods	Hand Solder	350C iron temp, solder time 3 seconds per terminal or less
Buzz, Rattle, etc.	Should not be audible at 2.83V sine wave between (Fo-2kHz)	-
Environmental Compliances	ROHS/REACH	-
Polarity	Diaphragm to move in forward direction when +pos applied to pos+ terminal	-
Storage Temperature	-30 to 60	°C
Operating Temperature	-20 to 60	°C

Measurement Method



Typical Frequency Response (0.1W, 0.1m)

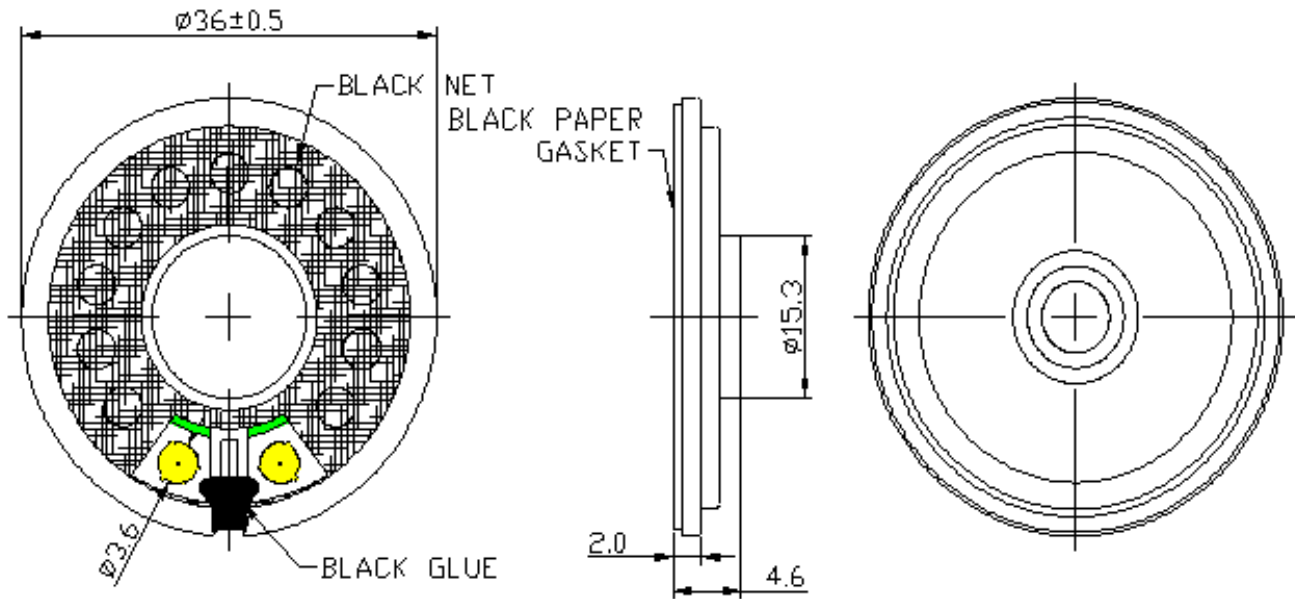


Reliability Testing

Type of Test	Test Specifications
High Temperature Test	Keep 96 hours at $+60^{\circ}\text{C} \pm 3^{\circ}\text{C}$ and leave 3 hours in normal temperature and then check
Low Temperature Test	Keep 96 hours at $-30^{\circ}\text{C} \pm 3^{\circ}\text{C}$ and leave 3 hours in normal temperature and then check
Humidity Test	Keep 96 hours at $+40^{\circ}\text{C} \pm 3^{\circ}\text{C}$ relative humidity 95% and leave 3 hours in normal temperature and then checked.
Temperature Cycle Testing	Low temperature: $-30^{\circ}\text{C} \pm 3^{\circ}\text{C}$, temperature: $+60^{\circ}\text{C} \pm 3^{\circ}\text{C}$, cycle: 1 hour/cycle each, and then keep 5 cycles in a room.
Vibration Test	10~55~10Hz sin-wave sweep 15min. 5G(constant) X,Y, Z 3 direction. 2 hours each, total 6 hours.
Drop Test	The speaker shall be fixed in cabinet, packed with carton and dropped 70cm height vertically to 10cm wooden board.(one point ,three corners ,six sides. 1 times each, total 10 times.)
Load Test	Rated Power white noise is applied for 96 hours
Terminal Strength Test	Capable of withstand 1kg load for 15seconds without resulting in any damage or rejection.
Max Power Test	Max power 1 min on - 2 min off 10 cycles.

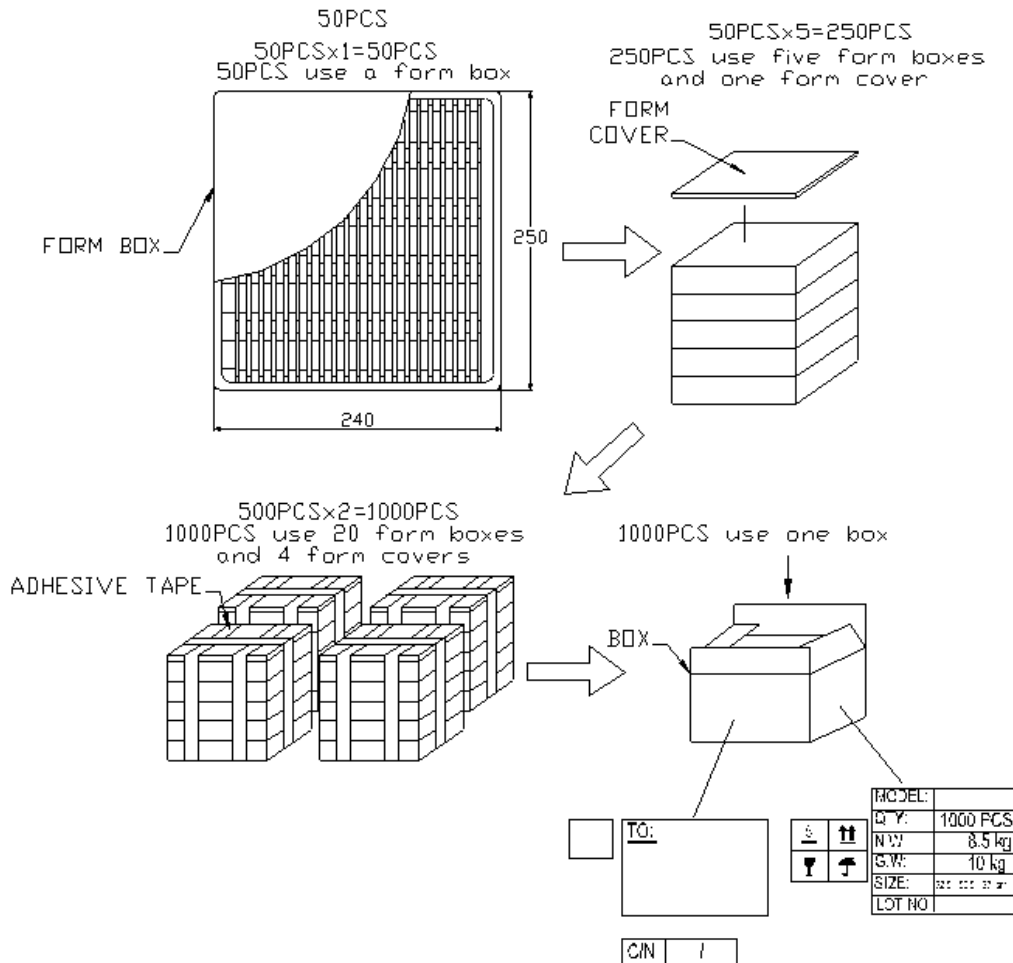
After tests, part shall be within $\pm 3\text{dB}$.

Dimensions (Tolerance ± 0.3mm unless otherwise noted)



*Terminals are bare copper foil for use with spring contacts inside a device or manually soldering lead wire

Packaging



Specifications Revisions

Revision	Description	Date
A	Released from Engineering	07/01/2022

Note:

1. Unless otherwise specified:
 - A. All dimensions are in millimeters.
 - B. Default tolerances are $\pm 0.5\text{mm}$ and angles are $\pm 3^\circ$.
2. Specifications subject to change or withdrawal without notice.
3. Base Speaker: AS03608MR-SC-R.