



PUIaudio



Data Sheet

AS04008MS-3

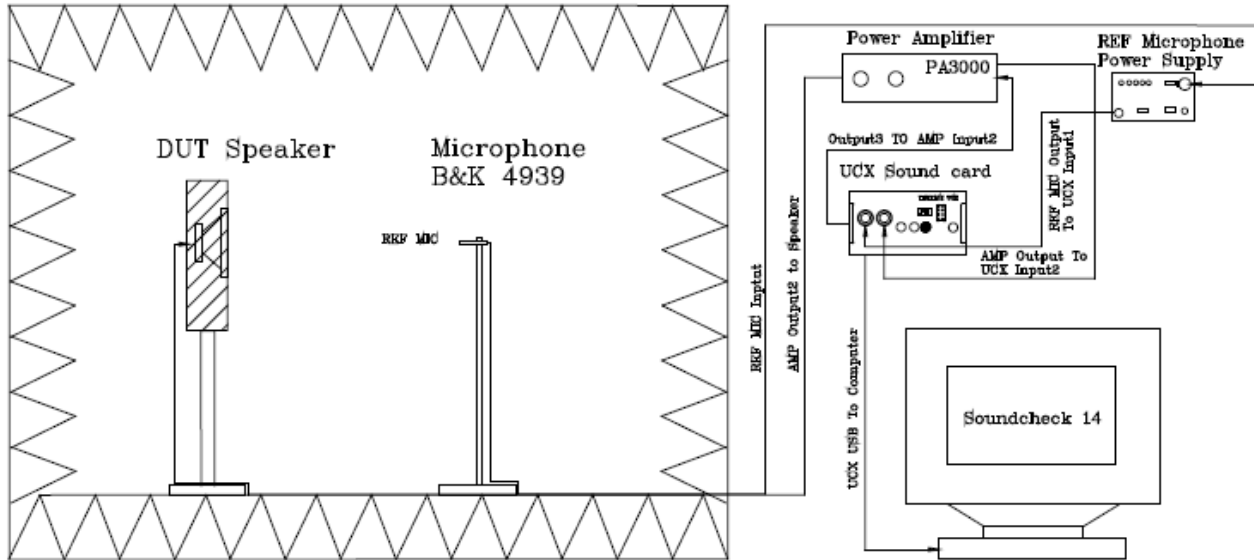
Features:

- High Input power with low resonant frequency
- Low Threshold distortion

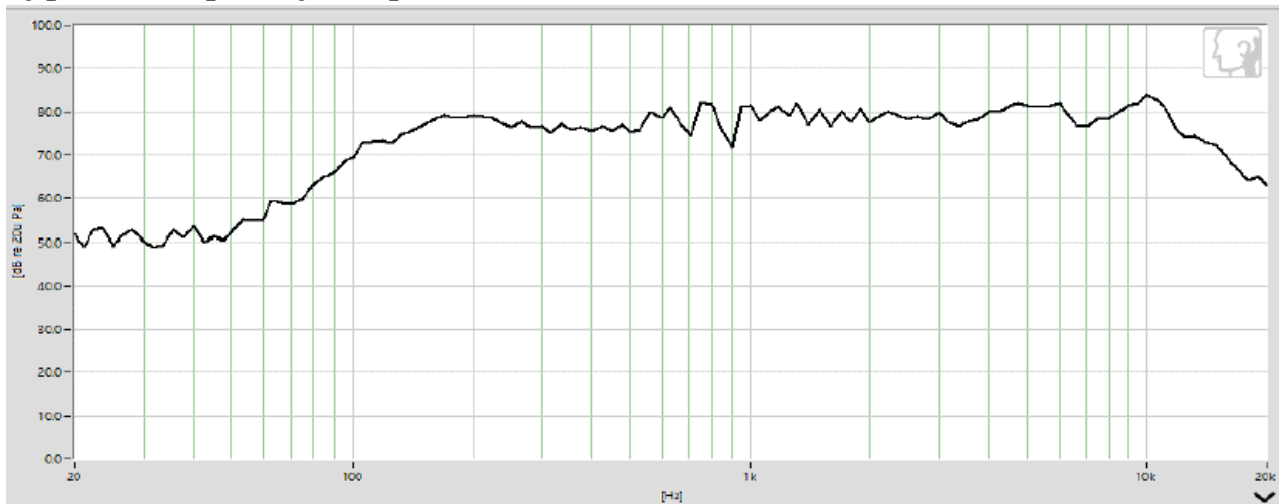
Specifications

Parameters	Values	Units
Rated Input Power	5	Watts
Max Input Power	6	Watts
Impedance	8 ± 15%	Ohms
Output SPL (<i>Avg At 0.5KHz, 0.8KHz, 1.5KHz, 3KHz</i>)	80 ± 3	dB
Resonant Frequency	150 ± 20%	Hz
Frequency Range	150 ~ 20,000	Hz
THD @ 1k	≤ 5%	
Frame Material	SPCC	-
Magnet Material	NdFeB	-
Diaphragm Material	PET	-
Weight	36	Grams
Buzz, Rattle, etc.	Not be audible at 6.32 V sine wave between From FO 5 K	-
Environmental Compliances	ROHS/REACH	-
Polarity	Diaphragm shall move Forward when Apply a Positive DC. Current to the “+”	-
Storage Temperature	-25 ~ 70	°C
Operating Temperature	-25 ~ 60	°C

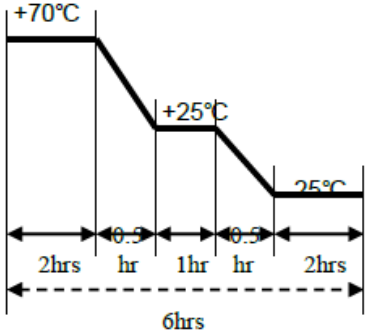
Measurement Method



Typical Frequency Response

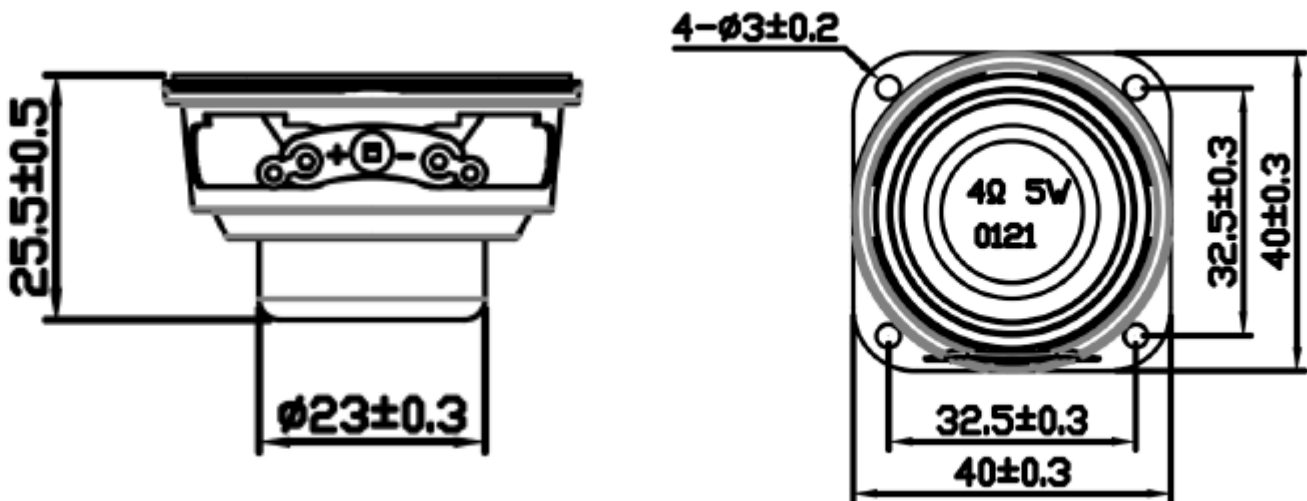


Reliability Testing

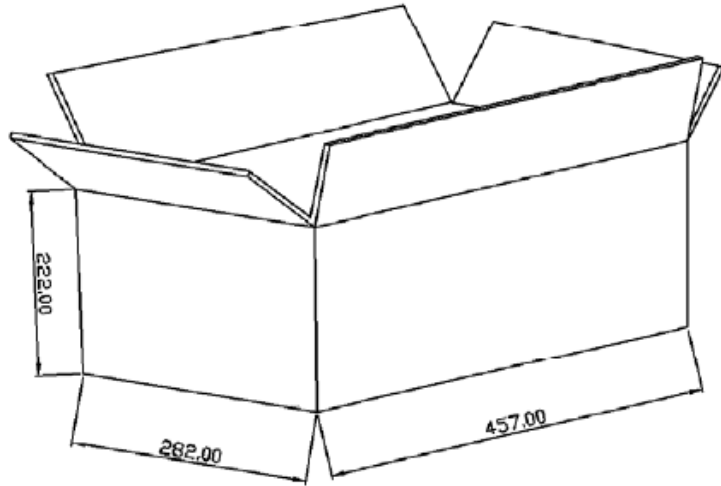
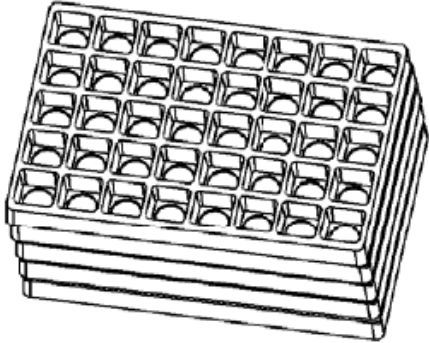
Type of Test	Test Specifications
High Temperature Test	96 hours at 70°C
Low Temperature Test	96 hours at -25°C
Humidity Test	96 hours at 40°C with relative humidity at 90~95%
Temperature Cycle Testing	Run for 5 cycles with each cycle consisting of: 
Vibration Test	Amplitude of 1.5mm with 10 to 55Hz band of vibration frequency to each of 3 perpendicular directions for 2 hours
Drop Test	Drop the speakers contained in normal box onto the board 40mm thick 2 times from the height of 75 cm

After each test, let rest for 6 hours and the change in SPL shall be within $\pm 3\text{dB}$

Dimensions



Packaging



40 pcs per tray
200 pcs per box

Specifications Revisions

Revision	Description	Date
A	Released from Engineering	11/8/2023

Note:

- Unless otherwise specified:
 - All dimensions are in millimeters.
 - Default tolerances are $\pm 0.5\text{mm}$ and angles are $\pm 3^\circ$.
- Specifications subject to change or withdrawal without notice.