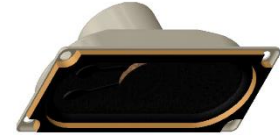




PUI audio



Data Sheet

AS07008PO-4-WR-R

Features:

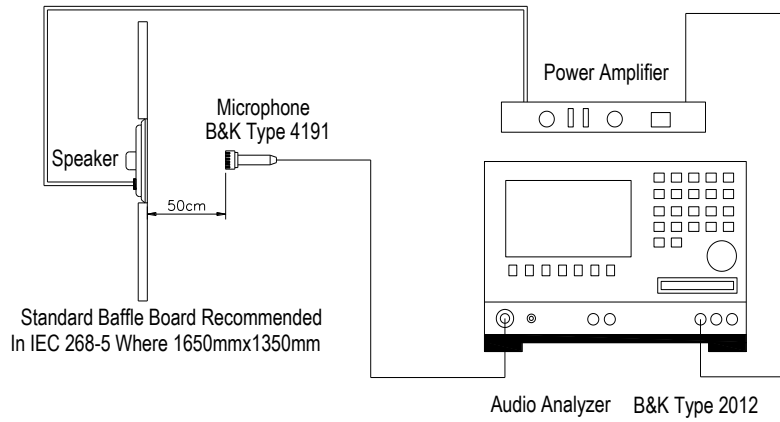
- 70mm x 30mm x 23mm oval shape
- 8 Ω impedance, 2W rated input power
- Water resistant coating

Specifications

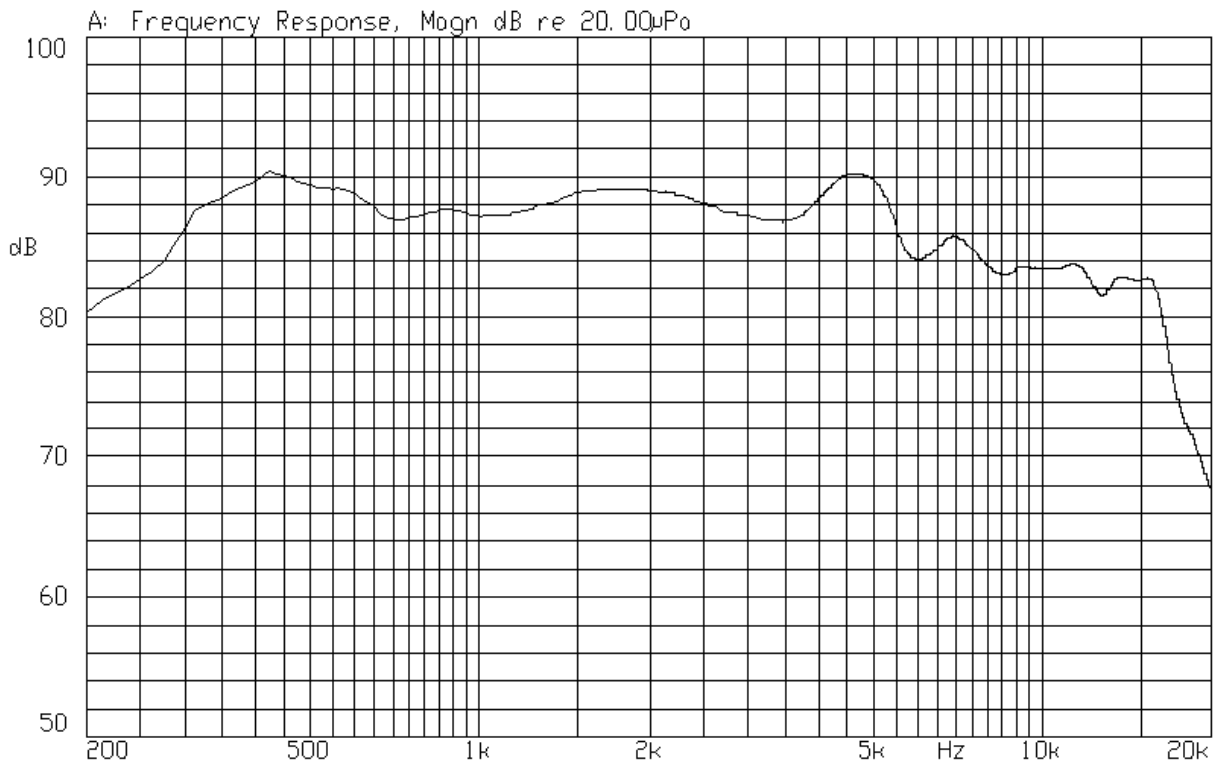
Parameters	Values	Units
Rated Input Power	2	Watts
Max Input Power	5	Watts
Impedance	8 \pm 15%	Ohms
Output SPL at 1W/50cm (At 0.8, 1.0, 1.2, 1.5 kHz)	85 \pm 3	dB
Resonant Frequency (Without Baffle)	450 \pm 20%	Hz
Frequency Range	200 ~ 20,000	Hz
THD (2W, 1kHz input)	< 10%	-
Frame Material	Metal	-
Magnet Material	NdFeB	-
Diaphragm Material	Treated Paper	-
Weight	35	Grams
Acceptable Soldering Methods	Hand Solder	-
Buzz, Rattle, etc.	Must be normal given sine wave between Fo ~ 20kHz at 4V	-
Polarity	Cone will move forward with positive (+) DC current applied to positive terminal	-
Operating Temperature	-30 ~ +60	$^{\circ}$ C
Environmental Compliances	ROHS/REACH	-

Measurement Method

Standard test condition of speaker



Typical Frequency Response (Measured at 50cm, 1W)



03-MAR-2008 15:52:49

Mode: TSR

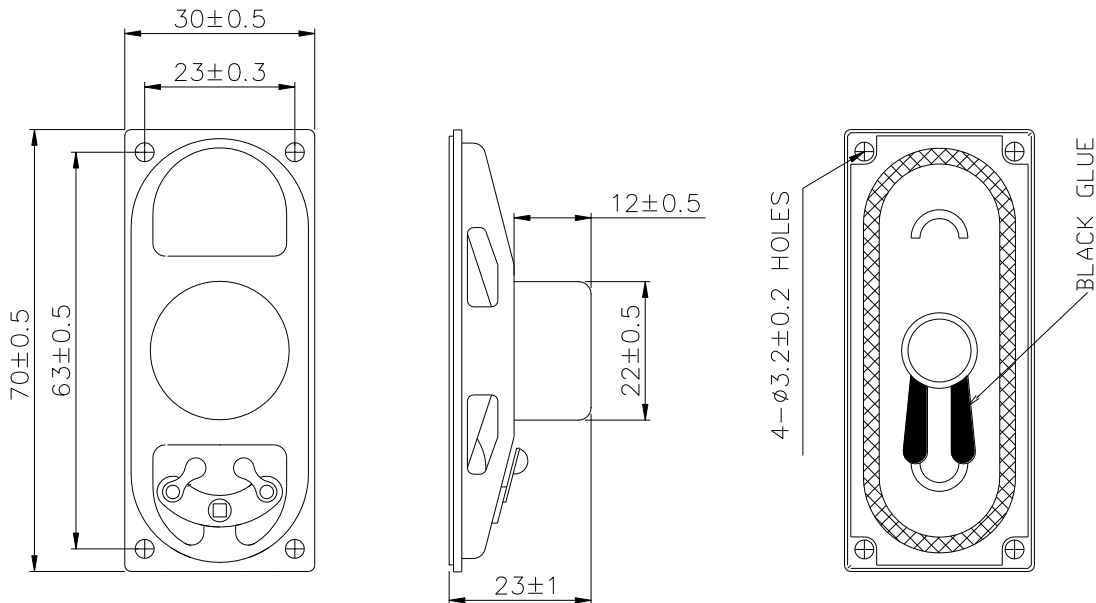


Reliability Testing

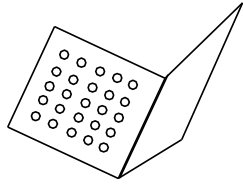
Type of Test	Test Specifications
High Temperature Test	96 hours at +60°C ± 3°C then rest for 3hrs at normal temperature followed by retest.
Low Temperature Test	96 hours at -30°C ± 3°C then rest for 3hrs at normal temperature followed by retest.
Thermal Cycle Test	Low temperature: -30°C±3°C, temperature:+60°C±3°C, cycle: 1 hour/cycle each, and then keep 96 hours.
Humidity Test	96 hours at +40°C ± 3°C with relative humidity between 90~95% then rest for 3hrs at normal temperature followed by retest.
Vibration	10~55~10Hz sin-wave sweep 15min. 5G(constant) X,Y, Z 3 direction. 2 hours each, total 6 hours.
Drop Test	Free drop a unit from 100cm height to a board of 20mm thick x,y, z 6 direction. 1 times each, total 6 times.
Load Test	White-noise source at 2.0 W applied for 96 hours
Max Power Test	Max power 1 min on – 2 min off 10 cycles.

After any of the above tests, change of SPL shall be within ±3dB.

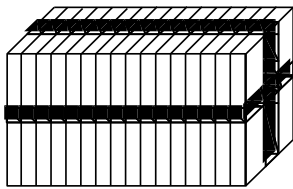
Dimensions



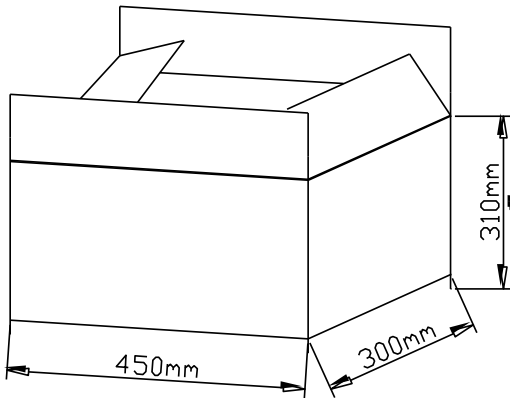
Packaging



插片: 591X290X Φ 22
 每插片包装25PCS

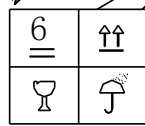


每箱16插片: 25X16=400PCS
 每16插片用PVC打成捆

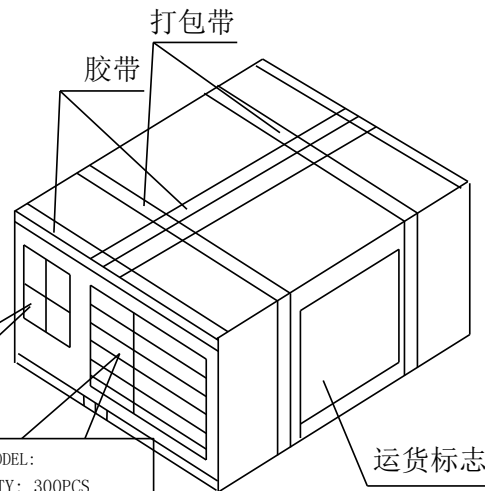


外箱: 450X300X310

每箱装1捆: 1X400PCS=400PCS



MODEL:
 QTY: 300PCS
 N. W:
 G. W:
 SIZE: 30*30*19.5
 LOT NO:



外箱用PVC胶带作包扎, 然后用包装带作平行包扎。
 一箱装好后, 根据要求填写内容。

Specifications Revisions

Revision	Description	Date
A	RELEASED FROM ENGINEERING	3/4/2022

Note:

- Unless otherwise specified:
 - All dimensions are in millimeters.
 - Default tolerances are $\pm 0.5\text{mm}$ and angles are $\pm 3^\circ$.
- Specifications subject to change or withdrawal without notice.
- Base speaker: AS07008PO-4-R.