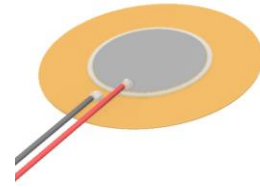




# PUI audio

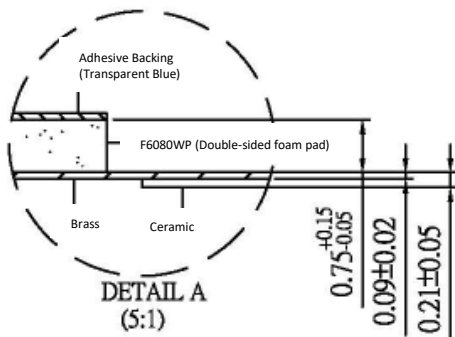
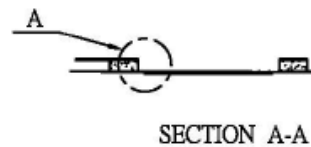
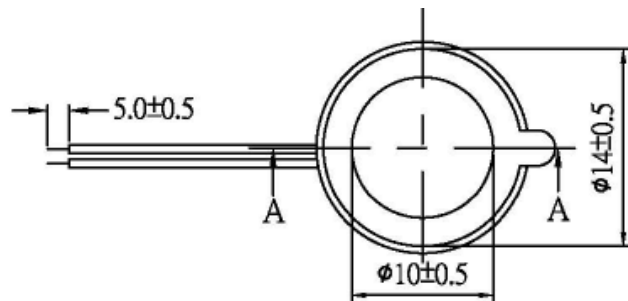
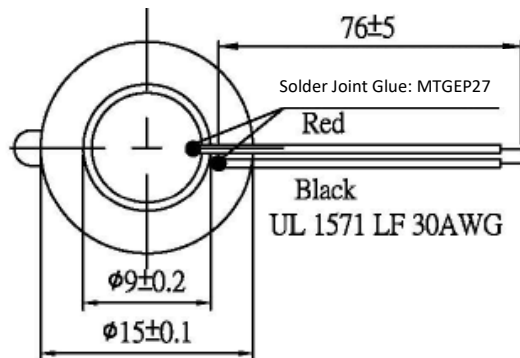


Data Sheet	AB1548B-3-LW76-R
------------	------------------

## Specifications

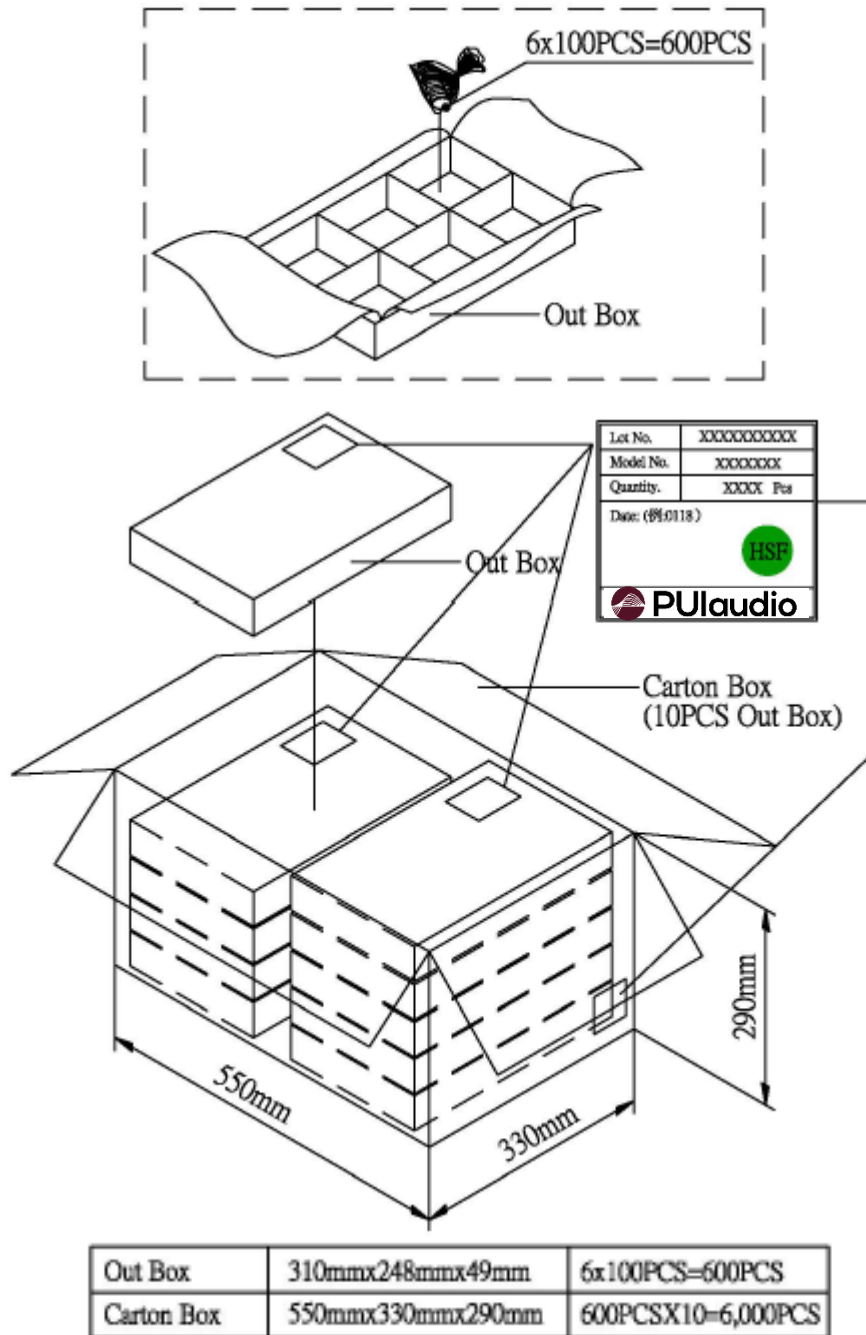
Parameters	Values	Units
Resonant Frequency	4,800 ± 500	Hz
Resonant Impedance (Max)	2,000	Ohms
Max Input Voltage	20	Vp-p
Capacitance (@ 1V/1kHz)	7,500 ± 30%	pF
Plate Material	Brass	-
Storage Temperature	-30 ~ +80	°C
Operating Temperature	-20 ~ +70	°C
Weight	0.2	Grams
Environmental Compliances	RoHS/REACH	Exempt. 7c-1

## Dimensions



**Tol : ± 0.5    Unit : mm**

## Packaging



**Specifications Revisions**

<b>Revision</b>	<b>Description</b>	<b>Date</b>
A	RELEASED FROM ENGINEERING	9/26/2019

Note:

- 1. Unless otherwise specified:
  - A. All dimensions are in millimeters.
  - B. Default tolerances are  $\pm 0.5\text{mm}$  and angles are  $\pm 3^\circ$ .
- 2. Specifications subject to change or withdrawal without notice.