

This information is given as an indication. In the continual goal to improve our products, we reserve the right to make any modifications judged necessary.



1 W

DC- 3 GHz

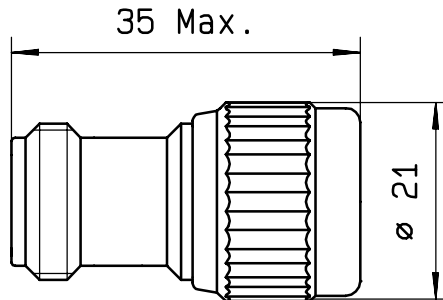
N

COAXIAL ATTENUATOR

issue  
17. Apr. 96

Page  
1 / 1

**DRAWING**



General tolerances: +/- 0.5 mm

**R F CHARACTERISTICS**

FREQUENCY RANGE : DC - 3 GHz  
 IMPEDANCE : 50 Ohms  
 ATTENUATION - NOMINAL : 10 dB

FREQUENCY	DC- 2 GHz	2 - 3 GHz
V.S.W.R	<= 1.20	<= 1.30
DEVIATION (dB)	+0.5 / - 0.5	+0.5 / - 0.5

PEAK POWER at 25°C (1µs,1%.) : 100 W  
 AVERAGE POWER at 25°C : 1 W

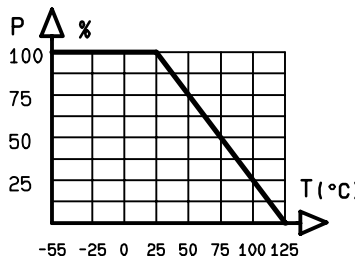
**MECHANICAL CHARACTERISTICS**

CONNECTORS : N male/female per MIL-C 39012  
 WEIGHT : < 43 g

**ENVIRONMENTAL CHARACTERISTICS**

OPERATING TEMPERATURE RANGE (°C) : -40 , +85  
 STORAGE TEMPERATURE RANGE (°C) : -40 , +85

Power derating  
Versus temperature



**CREATION**

N° :  
 PEN/EP:EPH9403  
 Name:RP  
 Date:29. jun. 95  
 APP.:VE

17. Apr. 96	weight: 40->43 g	RP	VE
<b>ISSUE</b>	<b>REVISIONS</b>	<b>NAME</b>	<b>APPR.</b>

**RADIALL®**

101. rue P. Hoffmann -Z.I Ouest-  
 93116 ROSNY/BOIS Cedex-FRANCE  
 Phone:33(1)49353535  
 Fax :33(1)48546363  
 Twx RADIA 235220F