



# DSC-1208T000025KM0

Y- and T-connectors

PLUG CONNECTORS AND CABLES

**SICK**  
Sensor Intelligence.



Illustration may differ

### Ordering information

Type	Part no.
DSC-1208T000025KM0	6058647

Other models and accessories → [www.sick.com/Y\\_and\\_T-connectors](http://www.sick.com/Y_and_T-connectors)

### Detailed technical data

#### Technical specifications

<b>Accessory family</b>	T-junctions
<b>Connection type head A</b>	Female connector, M12, 8-pin, A-coded
<b>Connection type head B</b>	Female connector, M12, 8-pin, A-coded
<b>Connection type head C</b>	Male connector, M12, 8-pin, A-coded
<b>Housing material</b>	TPU
<b>Connector material head A</b>	TPU
<b>Connector material head C</b>	TPU
<b>Housing color</b>	Black
<b>Locking nut material</b>	CuZn, nickel-plated brass
<b>Material knurled screw head A</b>	Nickel-plated brass
<b>Material knurled screw head C</b>	CuZn, nickel-plated brass
<b>Shielding, head</b>	Unshielded
<b>Reference voltage</b>	≤ 30 V DC
<b>Current loading</b>	≤ 2 A
<b>Note</b>	8-pin
<b>Ambient operating temperature</b>	-30 °C ... +90 °C
<b>Enclosure rating</b>	IP67 <sup>1)</sup>
<b>Description</b>	T-distributor for simultaneous connection to sender and receiver, splits the cable from the control cabinet between the sender and receiver
<b>Ambient operating temperature</b>	Head -30 °C ... +90 °C

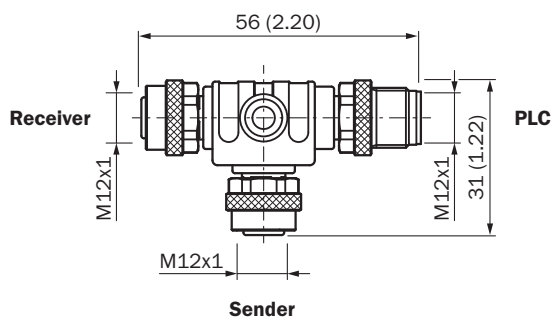
<sup>1)</sup> Only in fully locked position with its plugs.

#### Classifications

<b>ECLASS 5.0</b>	27279201
<b>ECLASS 5.1.4</b>	27279201
<b>ECLASS 6.0</b>	27279201
<b>ECLASS 6.2</b>	27279201
<b>ECLASS 7.0</b>	27279201
<b>ECLASS 8.0</b>	27279201
<b>ECLASS 8.1</b>	27279201

<b>ECLASS 9.0</b>	27440108
<b>ECLASS 10.0</b>	27440108
<b>ECLASS 11.0</b>	27440108
<b>ECLASS 12.0</b>	27440108
<b>ETIM 5.0</b>	EC002585
<b>ETIM 6.0</b>	EC002585
<b>ETIM 7.0</b>	EC002585
<b>ETIM 8.0</b>	EC002585
<b>UNSPSC 16.0901</b>	31163032

### Dimensional drawing (Dimensions in mm (inch))



## SICK AT A GLANCE

SICK is one of the leading manufacturers of intelligent sensors and sensor solutions for industrial applications. A unique range of products and services creates the perfect basis for controlling processes securely and efficiently, protecting individuals from accidents and preventing damage to the environment.

We have extensive experience in a wide range of industries and understand their processes and requirements. With intelligent sensors, we can deliver exactly what our customers need. In application centers in Europe, Asia and North America, system solutions are tested and optimized in accordance with customer specifications. All this makes us a reliable supplier and development partner.

Comprehensive services complete our offering: SICK LifeTime Services provide support throughout the machine life cycle and ensure safety and productivity.

For us, that is “Sensor Intelligence.”

## WORLDWIDE PRESENCE:

Contacts and other locations –[www.sick.com](http://www.sick.com)