



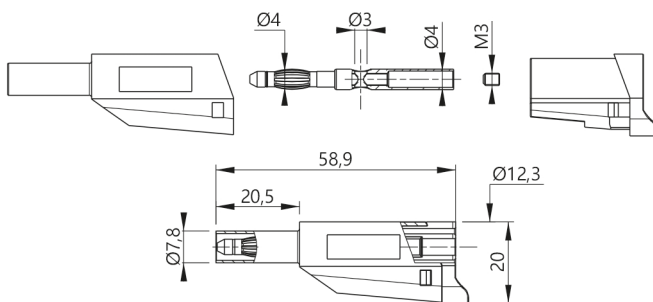
Description

These specifications come from the creepage distances, clearances, accessible parts, and solid insulation of the lead. And the considered specifications of the environment are :

- Pollution degree, 1 or 2
- Relative humidity, 80% maximum for temperatures up to 31°C decreasing linearly to 50% relative humidity at +40°C
- Temperature range, +5°C to +40°C
- Indoor use
- Altitude, 2000m maximum

Specifications

Electrical safety	: Up to 1000V~/1500 Vd CATII / 1000V CATIII / 600V CATIV, reinforced insulation. Up to 36 A (at +40°C) depending on the wire. According to EN / IEC 61010-031:2015. IP2X (touchproof). According to EN / IEC 60529.
Operating temperature range	: -20°C mini., +80°C maxi. (please see above too).
Protection against fire	: According to EN / IEC 61010-031:2015. The lead is compatible with the requirements of protection against the spread of fire and resistance to heat by its basic insulation.
Materials	: Conductor : nickel-coated brass or gold-coated brass and steel. Insulators and lantern contact spring, please contact us.
Weight	: 0.008 kg.
Origin	: Designed and manufactured in France.



Dimensions : Millimetres

Part Number Table

Description	Length	Current	Colour	Part Number
Stackable Banana Plugs	4mm	36A	White	MP771078
			Blue	MP771079
			Brown	MP771080
			Grey	MP771081
			Yellow	MP771082
			Green	MP771083
			Purple	MP771084

Important Notice : This data sheet and its contents (the "Information") belong to the members of the AVNET group of companies (the "Group") or are licensed to it. No licence is granted for the use of it other than for information purposes in connection with the products to which it relates. No licence of any intellectual property rights is granted. The Information is subject to change without notice and replaces all data sheets previously supplied. The Information supplied is believed to be accurate but the Group assumes no responsibility for its accuracy or completeness, any error in or omission from it or for any use made of it. Users of this data sheet should check for themselves the Information and the suitability of the products for their purpose and not make any assumptions based on information included or omitted. Liability for loss or damage resulting from any reliance on the Information or use of it (including liability resulting from negligence or where the Group was aware of the possibility of such loss or damage arising) is excluded. This will not operate to limit or restrict the Group's liability for death or personal injury resulting from its negligence. Multicomp Pro is the registered trademark of Premier Farnell Limited 2019.