

**RoHS
Compliant**



Features

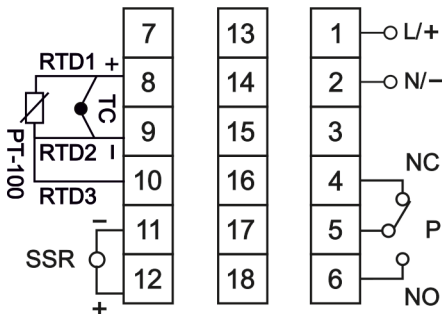
- Universal Input
- Lower Depth of 65mm
- Dual Line Eleven Segment Display with 15mm Height
- Configurable Output: Relay or SSR Drive
- °C & °F temperature unit selectable
- Ramp & Soak profile with Power Failure resumption mode
- RS 485 Communication
- IP 65 (For Front Panel)
- Multiple device programming with SD card support
- Rapid Set Point change feature
- Alarm Functionality
- Single/Dual acting PID controllers with 4 Control modes
- Auto-tuning PID with provision for Soft-Start

Specification

Part Number	MP-4T2A0	MP-4U50C	MP-4U5A0
Display			
Display	4 Digit, Dual display		
Display Color	White + Green		
Display Size	Upper Display : 15mm Lower Display : 7.7mm		
LED Indications	Output 1,2, Autotune, Timer	Output 1,2,3, Autotune, Selftune, Timer	
Programming method	Front Keys, SD card		
Default Programming	SD card		
Input			
Thermocouples (TC)	J, K, T, R, S	J, K, T, R, S, C, E, B, N, L, U, W	
RTD	PT-100		
mV	0 to 60 & 12 to 60		
Voltage (V)	--	0 to 5, 0 to 10	
Voltage (V) Current (mA)	--	0 to 20, 4 to 20	
Output			
Output 1	5A SPDT/ SSR (12V DC,50mA)	5A SPST	
Output 2	5A SPST	5A SPDT	
Output 3	--	SSR (12V DC,50mA)	
Output 4 (Voltage,Current)	--	0 to 10/0 to 5/0 to 20/ 4 to 20	
Communication, CT input & Sensor Supply			
RS-485	--	Applicable	--
CT input	Applicable	--	Applicable

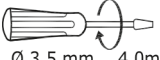

Mechanical parameters		
Dimension (WXHxD) mm	48 × 48 × 65	
Panel cutout	45 × 45	
Indication Accuracy		
RTD	±0.5% of PV or ±3°C (Which ever is higher one), ±1 digit at room temp	
TC	±0.5% of PV or ±2°C (Which ever is higher one), ±1 digit at room temp	
Mounting	±0.5% of PV or ±3°C (Which ever is higher one), ±1 digit at room temp	
Resolution		
TC : J,K,T (all TC)	0.1°C / 1°C	
TC: R & S	1°C	0.1°C / 1°C
PT-100	0.1°C / 1°C	
mV	0.001	
Analog (Voltage,Current)	--	0.001
CT input	0.1	
Operating temperature	0°C to 60°C	
Relative humidity	85% RH	

Connection Diagram

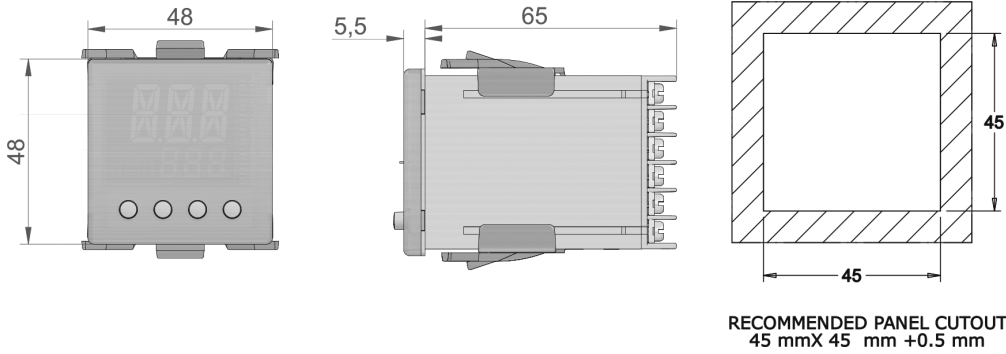


Note: This connection diagram is applicable for TCS1T100 & TCS2T100

Terminal Torque & Capacity

 Ø 3.5 mm....4.0mm	0.6 N.m (5.3 Lb.in)
	1 x 4.0 mm ² Solid/Stranded Wire
AWG	1 x 20 to 10

Mounting Dimensions



Dimensions : Millimetres

Part Number Table

Description	Part Number
Temp. Controller, 4 Digit Dual Display, RTD & Thermocouple Input, 10A SPST Relay or SSR & 5A SPST Relay	MP-4T2A0
Temp. Controller, 4 Digit Dual Display, RTD & Analog I/P, 2 Relay O/P 5A SPST, Analog O/P With Modbus	MP-4U50C
Temp. Controller, 4 Digit Dual Display, RTD & Analog I/P, 2 Relay O/P 5A SPST, SSR & Analog O/P With CT	MP-4U5A0

Important Notice : This data sheet and its contents (the "Information") belong to the members of the AVNET group of companies (the "Group") or are licensed to it. No licence is granted for the use of it other than for information purposes in connection with the products to which it relates. No licence of any intellectual property rights is granted. The Information is subject to change without notice and replaces all data sheets previously supplied. The Information supplied is believed to be accurate but the Group assumes no responsibility for its accuracy or completeness, any error in or omission from it or for any use made of it. Users of this data sheet should check for themselves the Information and the suitability of the products for their purpose and not make any assumptions based on information included or omitted. Liability for loss or damage resulting from any reliance on the Information or use of it (including liability resulting from negligence or where the Group was aware of the possibility of such loss or damage arising) is excluded. This will not operate to limit or restrict the Group's liability for death or personal injury resulting from its negligence. Multicomp Pro is the registered trademark of Premier Farnell Limited 2019.

Newark.com/multicomp-pro
 Farnell.com/multicomp-pro
 sg.element14.com/b/multicomp-pro