

Actuator

46-
2W44.1CN0.001

Distribution by
Newark



<https://newark.eao.com/p/46-2W44.1CN0.001>

Your product:



46-2W44.1CN0.001 Actuator

FRONT

Front dimension:	Ø 30 mm
Front bezel material:	Plastic
Front form:	round
Front bezel colour:	Black

MOUNTING

Mounting cut-out:	Ø 22.3 mm
Design:	raised

OPERATING-/INDICATION PART

Lever material:	plastic
Lever shape:	short
Lever bar colour:	White
Lever colour:	White

ELECTRICAL CHARACTERISTICS

Protection class:	II
--------------------------	----

MECHANICAL CHARACTERISTIC

Switching action:	Maintained - Momentary
Tightening torque:	2 ... 3 Nm (17.7 ... 26.6 Lb-in)
Weight:	0.027 kg

Mechanical lifetime: 1 Mio. cycles of operation
Switching positions: 2 positions
Switching angle: 90°

AMBIENT CONDITION

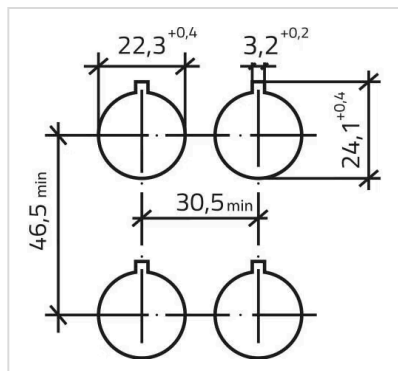
Vibration resistance: 5g f= 2...500Hz (EN-IEC 60068-2-6)
Climate resistance: +25°C-97%RH / +45°C-93%RH (IEC-EN60068-2-30)
IK front protection: IK03
IP front protection: IP65
Shock resistance: 30g, 18ms (EN-IEC 60068-2-27)
Operating temperature: - 25 °C ... + 55 °C

CERTIFICATE

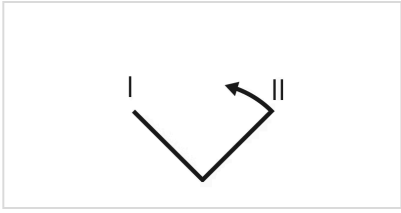
Conformities: CE
Standards: CSA C22-2, IEC EN 60947-1, IEC EN 60947-5-1, UL508

OTHER

Housing colour: Black
Short Description: Actuator, Ø 22.3 mm, Ø 30 mm, illuminative, White, short, round, Black, Plastic, Maintained - Momentary, IP65, IK03
Housing material: Plastic
max. number of switching elements: 2
Mounting cut-outs:



Switching positions:



Dimension drawings:

