

Actuator

46-
290J.1000.7P8

Distribution by
Newark



<https://newark.eao.com/p/46-290J.1000.7P8>

Your product:



46-290J.1000.7P8 Actuator

FRONT

Front bezel colour:	Black
Front dimension:	Ø 29 mm
Front form:	round
Front bezel material:	Plastic

MOUNTING

Design:	raised
Mounting cut-out:	Ø 22.3 mm

ELECTRICAL CHARACTERISTICS

Protection class:	II
--------------------------	----

MECHANICAL CHARACTERISTIC

Weight:	0.076 kg
Tightening torque:	2 ... 3 Nm (17.7 ... 26.6 Lb-in)
Switching action:	Rest (a) - Maintained
Switching angle:	60° right
Switching positions:	2 positions
Mechanical lifetime:	50 000 cycles of operation

AMBIENT CONDITION

Operating temperature:	- 25 °C ... + 55 °C
-------------------------------	---------------------

Shock resistance: 30g, 18ms (EN-IEC 60068-2-27)
50g, 11ms (EN-IEC 60068-2-27)

IP front protection: IP65

Climate resistance: +25°C-97%RH / +45°C-93%RH (IEC-EN60068-2-30)

Vibration resistance: 5g f= 2...500Hz (EN-IEC 60068-2-6)

IK front protection: IK06

CERTIFICATE

Conformities: CE

Standards: CSA C22-2, IEC EN 60947-1, IEC EN 60947-5-1, UL508

Approbations: CSA, EAC, UL

OTHER

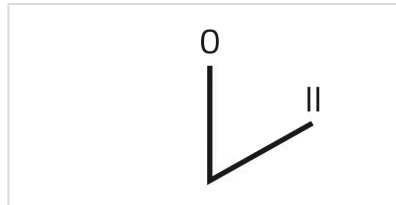
Housing material: Plastic

Short Description: Actuator, Ø 22.3 mm, Ø 29 mm, round, Black, Plastic, Rest (a) - Maintained, IP65, IK06

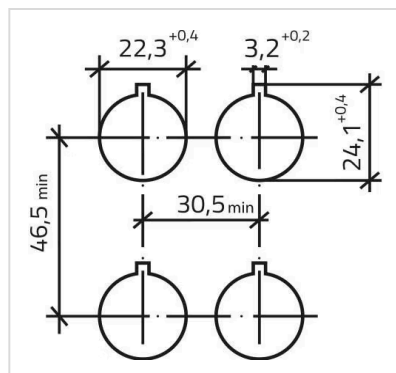
max. number of switching elements: 8

Housing colour: Black

Switching positions:



Mounting cut-outs:



Dimension drawings:

