

Actuator

46-
2W28.4CH0.001

Distribution by
Newark



<https://newark.eao.com/p/46-2W28.4CH0.001>

Your product:



46-2W28.4CH0.001 Actuator

FRONT

Front bezel material:	Aluminium
Front dimension:	Ø 35 mm
Front form:	round
Front bezel colour:	Silver

MOUNTING

Design:	flush
Mounting cut-out:	Ø 30.5 mm

OPERATING-/INDICATION PART

Lever bar colour:	White
Lever colour:	Green
Lever material:	plastic
Lever shape:	short

ELECTRICAL CHARACTERISTICS

Protection class:	I
--------------------------	---

MECHANICAL CHARACTERISTIC

Switching angle:	90°
Switching positions:	2 positions
Mechanical lifetime:	1 Mio. cycles of operation

Weight: 0.036 kg
Switching action: Maintained - Maintained
Tightening torque: 2 ... 3 Nm (17.7 ... 26.6 Lb-in)

AMBIENT CONDITION

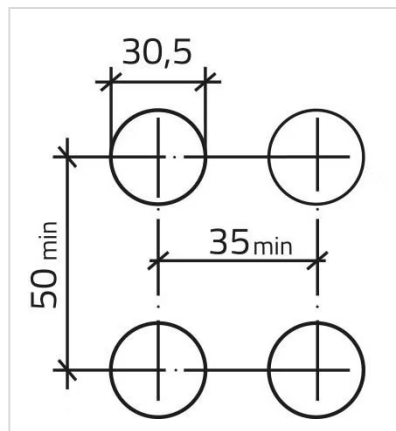
IK front protection: IK04
Shock resistance: 30g, 18ms (EN-IEC 60068-2-27)
50g, 11ms (EN-IEC 60068-2-27)
IP front protection: IP65
Operating temperature: - 25 °C ... + 55 °C
Climate resistance: +25°C-97%RH / +45°C-93%RH (IEC-EN60068-2-30)
Vibration resistance: 5g f= 2...500Hz (EN-IEC 60068-2-6)

CERTIFICATE

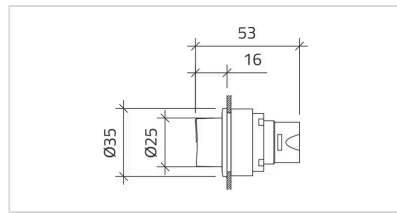
Conformities: CE
Approbations: CSA, UL
Standards: CSA G22-2, IEC EN 60947-1, IEC EN 60947-5-1, UL508

OTHER

Housing material: Plastic
Housing colour: Black
Short Description: Actuator, Ø 30.5 mm, Ø 35 mm, illuminative, Green, short, round, Silver, Aluminium, Maintained - Maintained, IP65, IK04
max. number of switching elements: 4
Mounting cut-outs:



Dimension drawings:



Switching positions:

