

Actuator

46-
2847.1CQ0.009

Distribution by
Newark



coming soon



<https://newark.eao.com/p/46-2847.1CQ0.009>

Your product:

coming soon

46-2847.1CQ0.009 Actuator

FRONT

| | |
|------------------------------|---------|
| Front bezel material: | Plastic |
| Front dimension: | Ø 29 mm |
| Front form: | round |
| Front bezel colour: | Black |

MOUNTING

| | |
|--------------------------|-----------|
| Mounting cut-out: | Ø 22.3 mm |
| Design: | raised |

OPERATING-/INDICATION PART

| | |
|--------------------------|---------|
| Lever bar colour: | Blue |
| Lever shape: | short |
| Lever material: | plastic |
| Lever colour: | Black |

ELECTRICAL CHARACTERISTICS

| | |
|--------------------------|----|
| Protection class: | II |
|--------------------------|----|

MECHANICAL CHARACTERISTIC

| | |
|--------------------------|--|
| Switching action: | Maintained - Maintained - Maintained - Maintained - Maintained |
| Switching angle: | 39° |
| Weight: | 0.027 kg |

Mechanical lifetime: 1 Mio. cycles of operation
Tightening torque: 2 ... 3 Nm (17.7 ... 26.6 Lb-in)
Switching positions: 5 positions

AMBIENT CONDITION

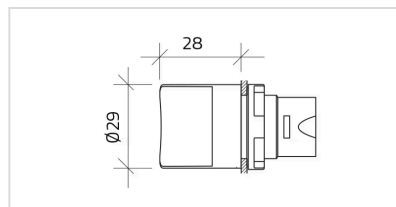
IP front protection: IP65
Shock resistance: 30g, 18ms (EN-IEC 60068-2-27)
50g, 11ms (EN-IEC 60068-2-27)
IK front protection: IK06
Vibration resistance: 5g f= 2...500Hz (EN-IEC 60068-2-6)
Climate resistance: +25°C-97%RH / +45°C-93%RH (IEC-EN60068-2-30)
Operating temperature: - 25 °C ... + 55 °C

CERTIFICATE

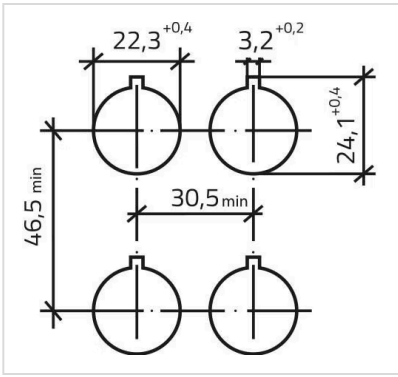
Approbations: CSA, EAC, UL
Conformities: CE
Standards: CSA G22-2, IEC EN 60947-1, IEC EN 60947-5-1, UL508

OTHER

Housing material: Plastic
Short Description: Actuator, Ø 22.3 mm, Ø 29 mm, non illuminative, Black, short, round, Black, Plastic, Maintained - Maintained - Maintained - Maintained - Maintained, IP65, IK06
max. number of switching elements: 8
Housing colour: Black
Dimension drawings:



Mounting cut-outs:



Switching positions:

